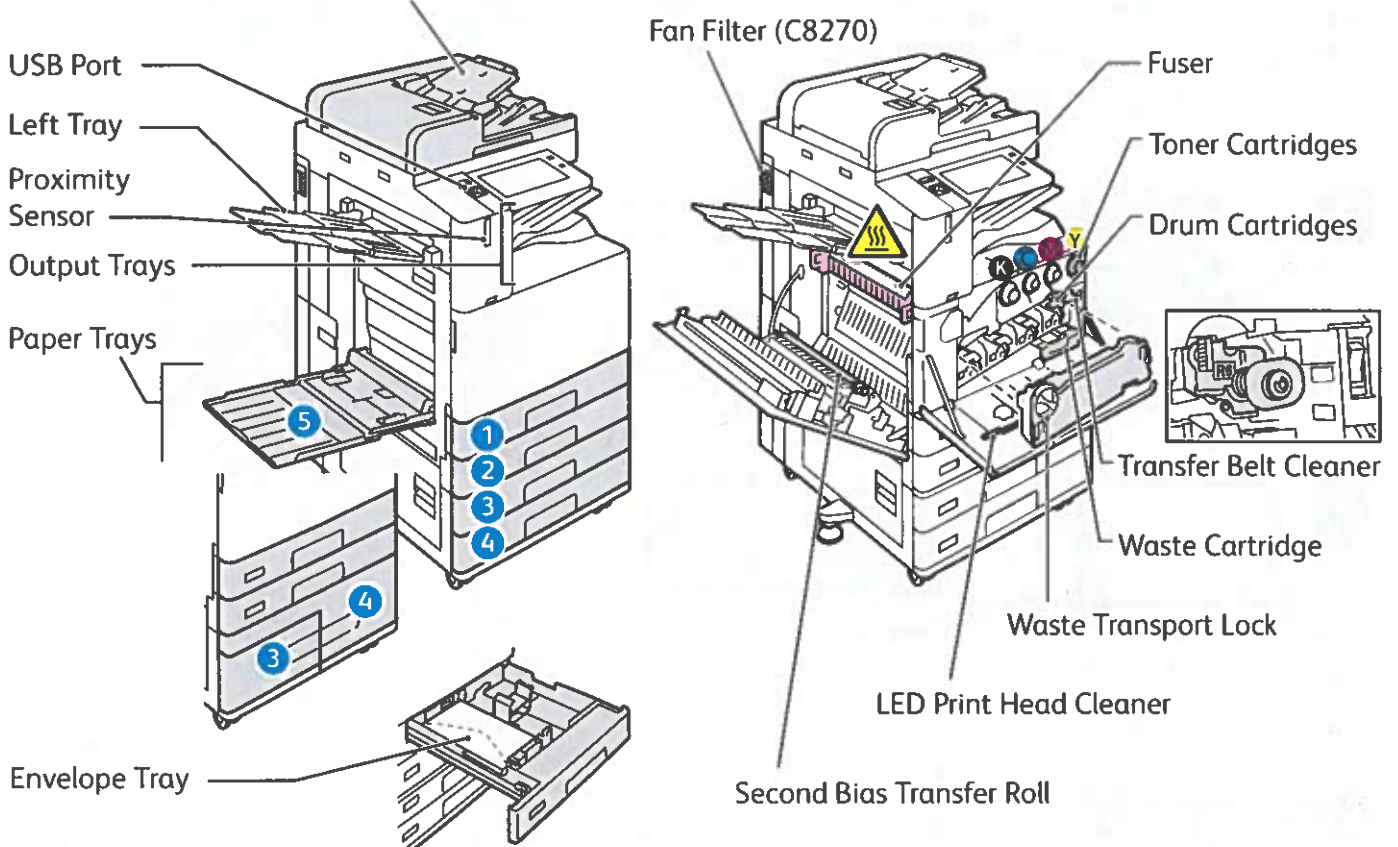


Printer Tour

Optional accessories can be part of your printer setup. For details, refer to the *User Guide*.

Single-Pass Duplex Automatic Document Feeder (DADF)



The diagram shows the printer with two callouts. Callout 1 points to a power button on the control panel. Callout 2 points to a power switch located behind the front cover.

To restart the printer, on the control panel, press the **secondary power switch (1)**.

For full printer power off, press the **secondary power switch (1)**. Behind the front cover, press the **main power switch (2)**.

To select sleep mode, press the **secondary power switch (1)**. At the printer control panel touch screen, touch a selection.