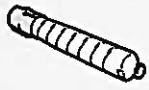


# Supplies Usage

Supplies ordering information is located  
[www.xerox.com/office/supplies](http://www.xerox.com/office/supplies)

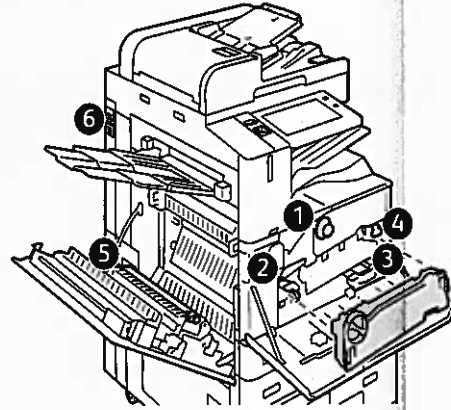
## Consumables

### 1 Toner Cartridge



**Black**

Date Installed: Oct 13, 2023  
Reorder: 006R01770  
Estimated Pages Remaining: 32000  
(Based upon this toner cartridge's average coverage: 33%)



## Routine Maintenance Items

### 2 Drum Cartridge



**Black (R1)**

Date Installed: Jan 19, 2021  
Reorder: 013R00686  
Estimated Pages Remaining: 108500  
(Based on average printer job size: 1 Pages)



### 3 Waste Container

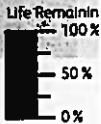
Date Installed: Nov 15, 2023  
Reorder: 008R08102

**OK**



### Belt Cleaner

Date Installed: Nov 15, 2023  
Reorder: 001R00623  
Estimated Pages Remaining: 158000



### 5 Second Bias Transfer Roller

Date Installed: Nov 15, 2023  
Reorder: 008R08103  
Estimated Pages Remaining: 358000

