

# Supplies Usage

Supplies ordering information is located at [www.xerox.com/office/supplies](http://www.xerox.com/office/supplies)

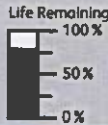
## Consumables

### 1 Toner Cartridge



#### Black

Date Installed: Feb 28, 2024  
 Reorder: 006R01742  
 Estimated Pages Remaining: 29000  
 (Based upon this toner cartridge's average coverage: 2%)



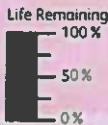
#### Cyan

Date Installed: Dec 12, 2023  
 Reorder: 006R01743  
 Estimated Pages Remaining: 19500  
 (Based upon this toner cartridge's average coverage: 7%)



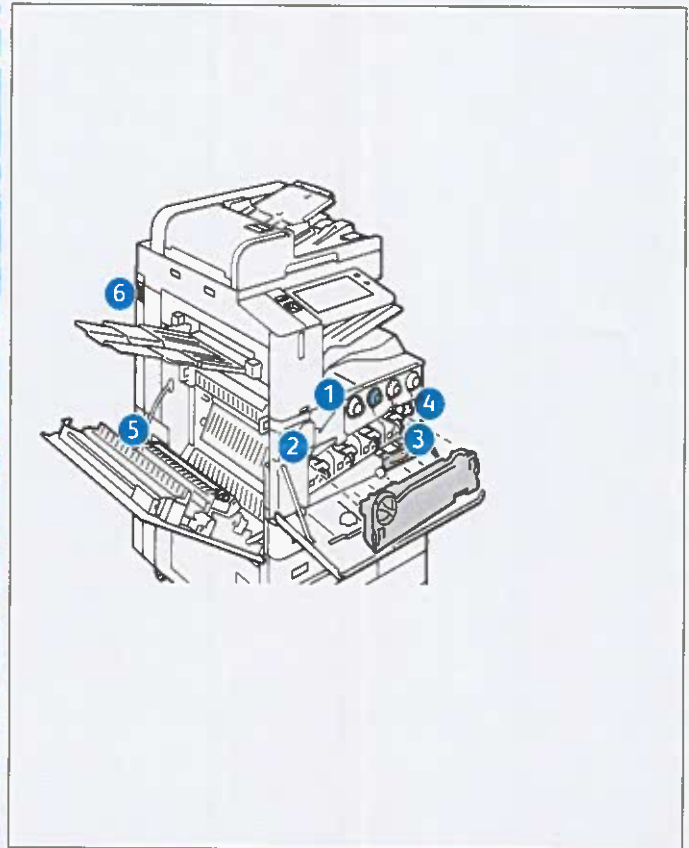
#### Magenta

Date Installed: Apr 12, 2024  
 Reorder: 006R01744  
 Estimated Pages Remaining: 21000  
 (Based upon this toner cartridge's average coverage: 4%)



#### Yellow

Date Installed: Apr 12, 2024  
 Reorder: 006R01745  
 Estimated Pages Remaining: 21000  
 (Based upon this toner cartridge's average coverage: 8%)



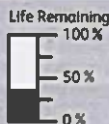
## Routine Maintenance Items

### 2 Drum Cartridge



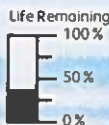
#### Black (R1)

Date Installed: Sep 19, 2022  
 Reorder: 013R00681  
 Estimated Pages Remaining: 74000  
 (Based on average printer job size: 1 Pages)



#### Cyan (R2)

Date Installed: Sep 19, 2022  
 Reorder: 013R00681  
 Estimated Pages Remaining: 67500  
 (Based on average printer job size: 1 Pages)



#### Magenta (R3)

Date Installed: Feb 17, 2023  
 Reorder: 013R00681  
 Estimated Pages Remaining: 130000  
 (Based on average printer job size: 1 Pages)



#### Yellow (R4)

Date Installed: Nov 29, 2021  
 Reorder: 013R00681  
 Estimated Pages Remaining: 36500  
 (Based on average printer job size: 1 Pages)



### 3 Waste Container

Date Installed: Apr 5, 2024  
 Reorder: 008R08101

OK



### 4 Transfer Belt Cleaner

Date Installed: Apr 23, 2024  
 Reorder: 001R00623  
 Estimated Pages Remaining: 159500



### 5 Second Bias Transfer Roller

Date Installed: Apr 23, 2024  
 Reorder: 008R08103  
 Estimated Pages Remaining: 359500

