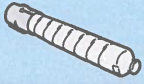


# Supplies Usage

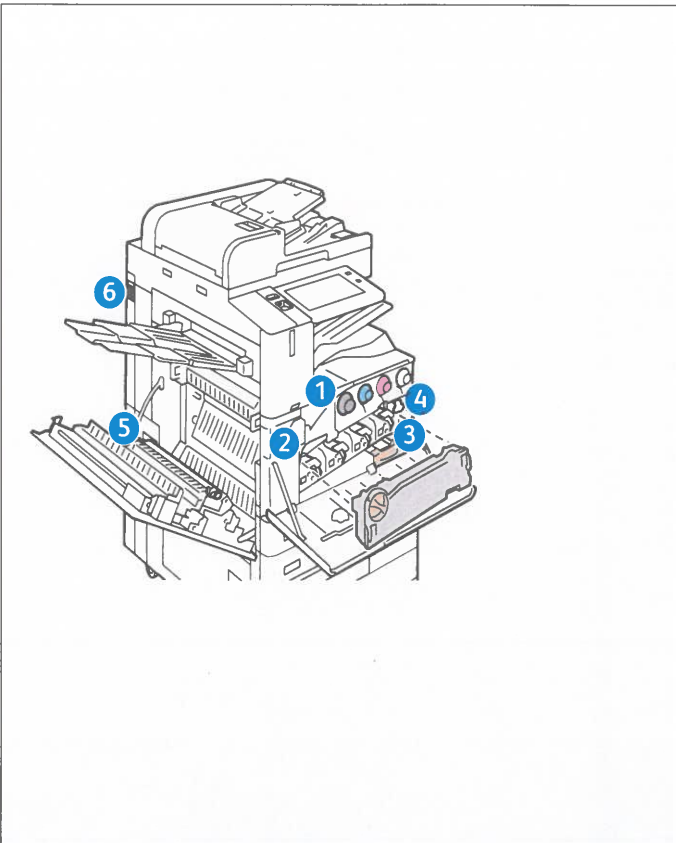
Supplies ordering information is located at [www.xerox.com/office/supplies](http://www.xerox.com/office/supplies)

## Consumables

### 1 Toner Cartridges



|                |                                                                                                                                                     |                                        |
|----------------|-----------------------------------------------------------------------------------------------------------------------------------------------------|----------------------------------------|
| <b>Black</b>   | Date Installed: Jan 9, 2021<br>Reorder: 006R01754<br>Estimated Pages Remaining: 35500<br>(Based upon this toner cartridge's average coverage: 51 %) | Life Remaining<br>100 %<br>50 %<br>0 % |
| <b>Cyan</b>    | Date Installed: Jan 9, 2021<br>Reorder: 006R01755<br>Estimated Pages Remaining: 21000<br>(Based upon this toner cartridge's average coverage: 3 %)  | Life Remaining<br>100 %<br>50 %<br>0 % |
| <b>Magenta</b> | Date Installed: Jan 9, 2021<br>Reorder: 006R01756<br>Estimated Pages Remaining: 21000<br>(Based upon this toner cartridge's average coverage: 0 %)  | Life Remaining<br>100 %<br>50 %<br>0 % |
| <b>Yellow</b>  | Date Installed: Jan 9, 2021<br>Reorder: 006R01757<br>Estimated Pages Remaining: 21000<br>(Based upon this toner cartridge's average coverage: 1 %)  | Life Remaining<br>100 %<br>50 %<br>0 % |



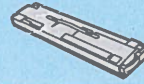
## Routine Maintenance Items

### 2 Drum Cartridge



|                     |                                                                                                                                         |                                        |
|---------------------|-----------------------------------------------------------------------------------------------------------------------------------------|----------------------------------------|
| <b>Black (R1)</b>   | Date Installed: Sep 19, 2022<br>Reorder: 013R00681<br>Estimated Pages Remaining: 62000<br>(Based on average printer job size: 1 Pages)  | Life Remaining<br>100 %<br>50 %<br>0 % |
| <b>Cyan (R2)</b>    | Date Installed: Sep 19, 2022<br>Reorder: 013R00681<br>Estimated Pages Remaining: 61000<br>(Based on average printer job size: 1 Pages)  | Life Remaining<br>100 %<br>50 %<br>0 % |
| <b>Magenta (R3)</b> | Date Installed: Feb 17, 2023<br>Reorder: 013R00681<br>Estimated Pages Remaining: 118500<br>(Based on average printer job size: 1 Pages) | Life Remaining<br>100 %<br>50 %<br>0 % |
| <b>Yellow (R4)</b>  | Date Installed: Nov 29, 2021<br>Reorder: 013R00681<br>Estimated Pages Remaining: 32000<br>(Based on average printer job size: 1 Pages)  | Life Remaining<br>100 %<br>50 %<br>0 % |

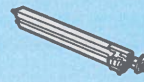
### 3 Waste Container



Date Installed: Jan 1, 2021  
Reorder: 008R08101

OK

### 4 Transfer Belt Cleaner



Date Installed: Jan 1, 2021  
Reorder: 001R00623  
Estimated Pages Remaining: 259500

Life Remaining  
100 %  
50 %  
0 %

### 5 Second Bias Transfer Roller



Date Installed: Jan 1, 2021  
Reorder: 008R08103  
Estimated Pages Remaining: 359500

Life Remaining  
100 %  
50 %  
0 %