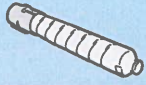


# Supplies Usage

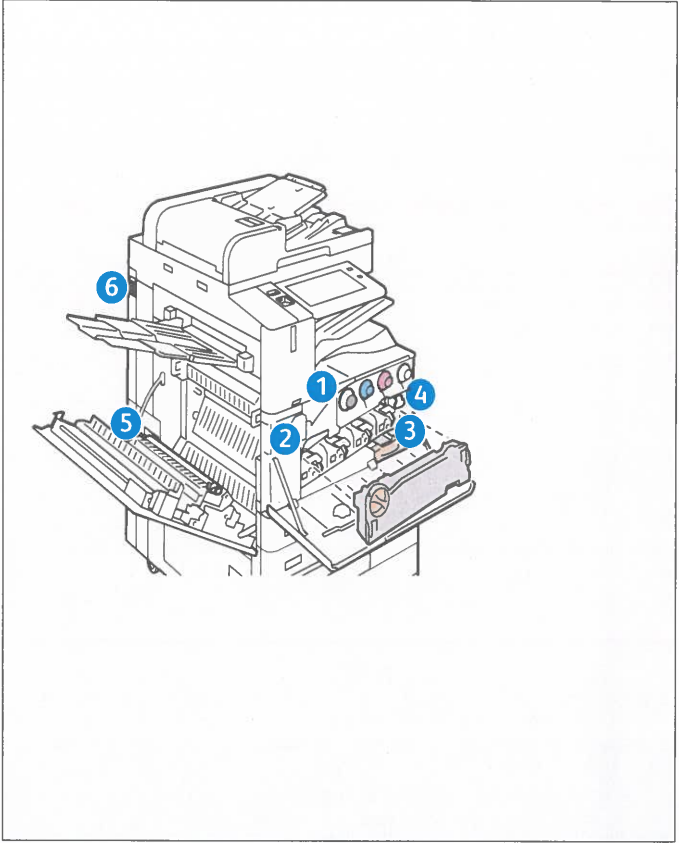
Supplies ordering information is located at [www.xerox.com/office/supplies](http://www.xerox.com/office/supplies)

## Consumables

### 1 Toner Cartridges



<p><b>Black</b></p> <p>Date Installed: Jan 9, 2021                  Reorder: 006R01754                  Estimated Pages Remaining: 35500                  (Based upon this toner cartridge's average coverage: 48 %)</p>	<p>Life Remaining</p> <p>100 % 50 % 0 %</p>
<p><b>Cyan</b></p> <p>Date Installed: Jan 9, 2021                  Reorder: 006R01755                  Estimated Pages Remaining: 21000                  (Based upon this toner cartridge's average coverage: 3 %)</p>	<p>Life Remaining</p> <p>100 % 50 % 0 %</p>
<p><b>Magenta</b></p> <p>Date Installed: Jan 9, 2021                  Reorder: 006R01756                  Estimated Pages Remaining: 21000                  (Based upon this toner cartridge's average coverage: 0 %)</p>	<p>Life Remaining</p> <p>100 % 50 % 0 %</p>
<p><b>Yellow</b></p> <p>Date Installed: Jan 9, 2021                  Reorder: 006R01757                  Estimated Pages Remaining: 21000                  (Based upon this toner cartridge's average coverage: 1 %)</p>	<p>Life Remaining</p> <p>100 % 50 % 0 %</p>



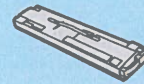
## Routine Maintenance Items

### 2 Drum Cartridge



<p><b>Black (R1)</b></p> <p>Date Installed: Sep 19, 2022                  Reorder: 013R00681                  Estimated Pages Remaining: 62000                  (Based on average printer job size: 1 Pages)</p>	<p>Life Remaining</p> <p>100 % 50 % 0 %</p>
<p><b>Cyan (R2)</b></p> <p>Date Installed: Sep 19, 2022                  Reorder: 013R00681                  Estimated Pages Remaining: 61000                  (Based on average printer job size: 1 Pages)</p>	<p>Life Remaining</p> <p>100 % 50 % 0 %</p>
<p><b>Magenta (R3)</b></p> <p>Date Installed: Feb 17, 2023                  Reorder: 013R00681                  Estimated Pages Remaining: 118500                  (Based on average printer job size: 1 Pages)</p>	<p>Life Remaining</p> <p>100 % 50 % 0 %</p>
<p><b>Yellow (R4)</b></p> <p>Date Installed: Nov 29, 2021                  Reorder: 013R00681                  Estimated Pages Remaining: 32000                  (Based on average printer job size: 1 Pages)</p>	<p>Life Remaining</p> <p>100 % 50 % 0 %</p>

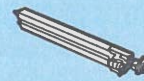
### 3 Waste Container



Date Installed: Jan 1, 2021  
 Reorder: 008R08101

OK

### 4 Transfer Belt Cleaner



Date Installed: Jan 1, 2021  
 Reorder: 001R00623  
 Estimated Pages Remaining: 259500



### 5 Second Bias Transfer Roller



Date Installed: Jan 1, 2021  
 Reorder: 008R08103  
 Estimated Pages Remaining: 359500

