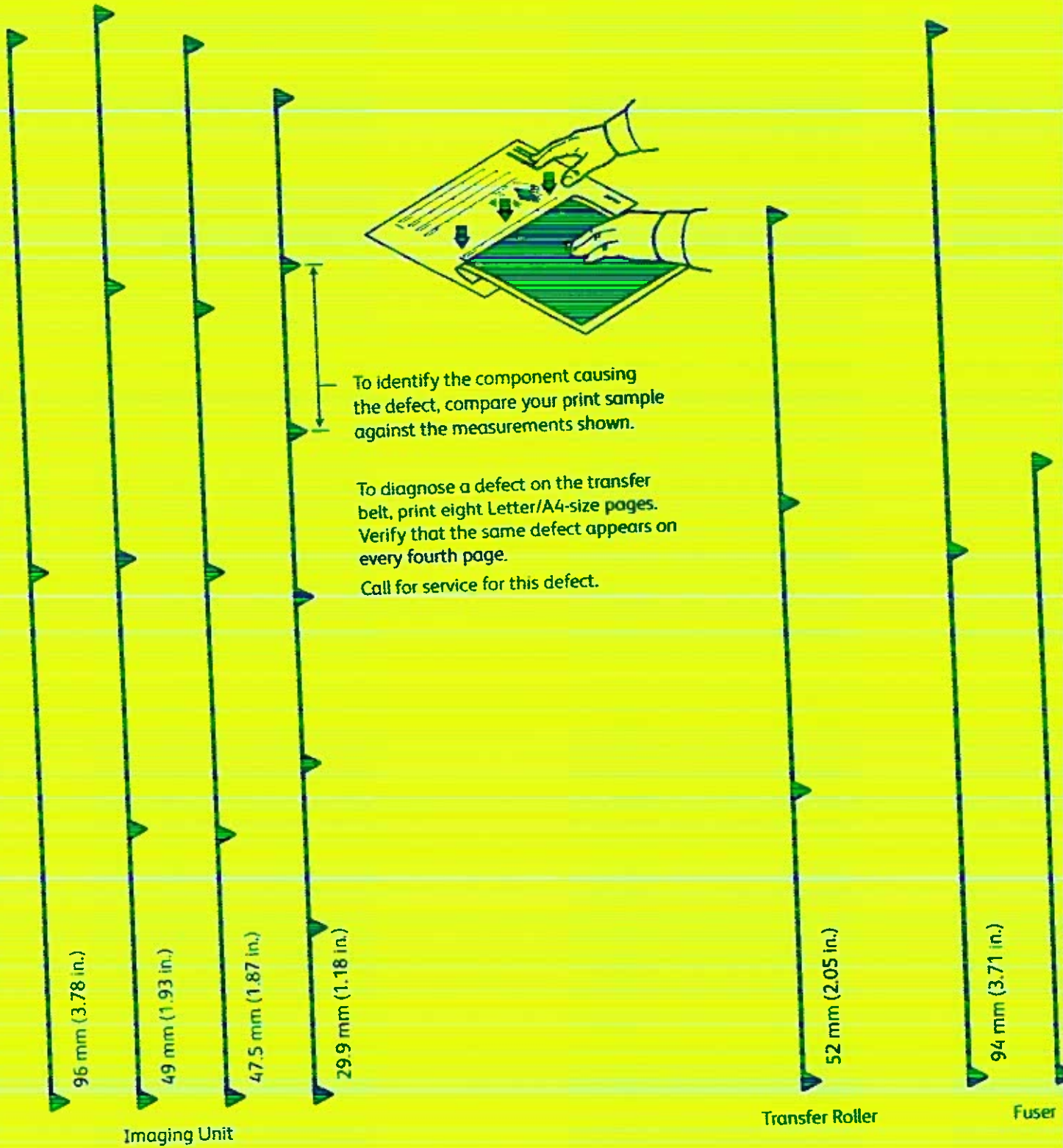
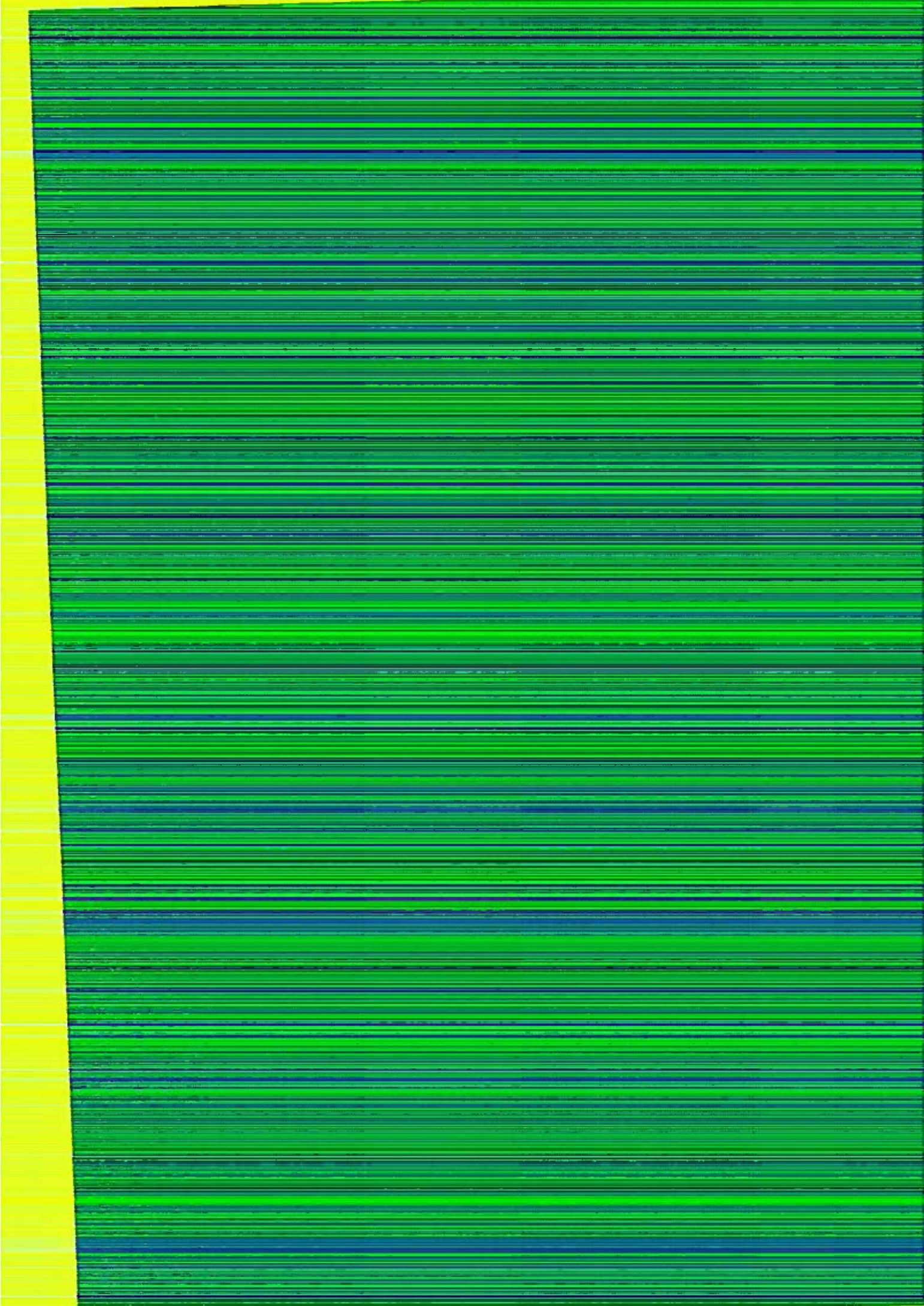


# Repeating Defects





# Liste over PostScript-skrifter

## Interne skrifter:

AlbertusMT	ABCDEFG abcdefg 0123456789 &?!.,€
AlbertusMT-Italic	ABCDEFG abcdefg 0123456789 &?!.,€
AlbertusMT-Light	ABCDEFG abcdefg 0123456789 &?!.,€
AntiqueOlive-Bold	ABCDEFG abcdefg 0123456789 &?!.,€
AntiqueOlive-Compact	<b>ABCDEFG abcdefg 0123456789 &amp;?!.,€</b>
AntiqueOlive-Italic	ABCDEFG abcdefg 0123456789 &?!.,€
AntiqueOlive-Roman	ABCDEFG abcdefg 0123456789 &?!.,€
Apple-Chancery	ABCDEFG abcdefg 0123456789 &?!.,€
Arial-BoldItalicMT	ABCDEFG abcdefg 0123456789 &?!.,€
Arial-BoldMT	ABCDEFG abcdefg 0123456789 &?!.,€
Arial-ItalicMT	ABCDEFG abcdefg 0123456789 &?!.,€
ArialMT	ABCDEFG abcdefg 0123456789 &?!.,€
AvantGarde-Book	ABCDEFG abcdefg 0123456789 &?!.,€
AvantGarde-BookOblique	ABCDEFG abcdefg 0123456789 &?!.,€
AvantGarde-Demi	ABCDEFG abcdefg 0123456789 &?!.,€
AvantGarde-DemiOblique	ABCDEFG abcdefg 0123456789 &?!.,€
Bodoni	ABCDEFG abcdefg 0123456789 &?!.,€
Bodoni-Bold	ABCDEFG abcdefg 0123456789 &?!.,€
Bodoni-BoldItalic	ABCDEFG abcdefg 0123456789 &?!.,€
Bodoni-Italic	ABCDEFG abcdefg 0123456789 &?!.,€
Bodoni-Poster	<b>ABCDEFG abcdefg 0123456789 &amp;?!.,€</b>
Bodoni-PosterCompressed	ABCDEFG abcdefg 0123456789 &?!.,€
Bookman-Demi	ABCDEFG abcdefg 0123456789 &?!.,€
Bookman-DemiItalic	ABCDEFG abcdefg 0123456789 &?!.,€
Bookman-Light	ABCDEFG abcdefg 0123456789 &?!.,€
Bookman-LightItalic	ABCDEFG abcdefg 0123456789 &?!.,€
Carta	ABCDEFG abcdefg 0123456789 &?!.,€
Chicago	ABCDEFG abcdefg 0123456789 &?!.,€
Clarendon	ABCDEFG abcdefg 0123456789 &?!.,€
Clarendon-Bold	ABCDEFG abcdefg 0123456789 &?!.,€
Clarendon-Light	ABCDEFG abcdefg 0123456789 &?!.,€
CooperBlack	<b>ABCDEFG abcdefg 0123456789 &amp;?!.,€</b>
CooperBlack-Italic	<b>ABCDEFG abcdefg 0123456789 &amp;?!.,€</b>
Copperplate-ThirtyThreeBC	ABCDEFG ABCDEFG 0123456789 &?!.,€
Copperplate-ThirtyTwoBC	ABCDEFG ABCDEFG 0123456789 &?!.,€
Coronet-Regular	ABCDEFG abcdefg 0123456789 &?!.,€
Courier	ABCDEFG abcdefg 0123456789 &?!.,€
Courier-Bold	ABCDEFG abcdefg 0123456789 &?!.,€
Courier-BoldOblique	ABCDEFG abcdefg 0123456789 &?!.,€
Courier-Oblique	ABCDEFG abcdefg 0123456789 &?!.,€
Eurostile	ABCDEFG abcdefg 0123456789 &?!.,€
Eurostile-Bold	<b>ABCDEFG abcdefg 0123456789 &amp;?!.,€</b>
Eurostile-BoldExtendedTwo	ABCDEFG abcdefg 0123456789 &?!.,€
Eurostile-ExtendedTwo	ABCDEFG abcdefg 0123456789 &?!.,€
Geneva	ABCDEFG abcdefg 0123456789 &?!.,€
GillSans	ABCDEFG abcdefg 0123456789 &?!.,€
GillSans-Bold	ABCDEFG abcdefg 0123456789 &?!.,€
GillSans-BoldCondensed	ABCDEFG abcdefg 0123456789 &?!.,€
GillSans-BoldItalic	ABCDEFG abcdefg 0123456789 &?!.,€
GillSans-Condensed	ABCDEFG abcdefg 0123456789 &?!.,€
GillSans-ExtraBold	<b>ABCDEFG abcdefg 0123456789 &amp;?!.,€</b>
GillSans-Italic	ABCDEFG abcdefg 0123456789 &?!.,€
GillSans-Light	ABCDEFG abcdefg 0123456789 &?!.,€
GillSans-LightItalic	ABCDEFG abcdefg 0123456789 &?!.,€
Goudy	ABCDEFG abcdefg 0123456789 &?!.,€
Goudy-Bold	ABCDEFG abcdefg 0123456789 &?!.,€
Goudy-BoldItalic	ABCDEFG abcdefg 0123456789 &?!.,€
Goudy-ExtraBold	ABCDEFG abcdefg 0123456789 &?!.,€
Goudy-Italic	ABCDEFG abcdefg 0123456789 &?!.,€
GreekMono737	ABCDEFG abcdefg 0123456789 &?!.,€
GreekMono737-Bold	<b>ABCDEFG abcdefg 0123456789 &amp;?!.,€</b>
GreekMono737-BoldItalic	<b>ABCDEFG abcdefg 0123456789 &amp;?!.,€</b>
GreekMono737-Italic	ABCDEFG abcdefg 0123456789 &?!.,€
GreekMono851	ABCDEFG abcdefg 0123456789 &?!.,€
GreekMono851-Bold	<b>ABCDEFG abcdefg 0123456789 &amp;?!.,€</b>
GreekMono851-BoldItalic	<b>ABCDEFG abcdefg 0123456789 &amp;?!.,€</b>
GreekMono851-Italic	ABCDEFG abcdefg 0123456789 &?!.,€
GreekMono8859-7	ABCDEFG abcdefg 0123456789 &?!.,€
GreekMono8859-7Bold	<b>ABCDEFG abcdefg 0123456789 &amp;?!.,€</b>

# Liste over PostScript-skrifter

## Interne skrifter (fortsetter):

GreekMono8859-7BoldItalic	<i>ABCDEF abcdefg 0123456789 &amp;?!\$ ,</i>
GreekMono8859-7Italic	<i>ABCDEF abcdefg 0123456789 &amp;?!\$ ,</i>
GreekSans737	<i>ABCDEF abcdefg 0123456789 &amp;?!\$ ,</i>
GreekSans737-Bold	<b>ABCDEF abcdefg 0123456789 &amp;?!\$ ,</b>
GreekSans737-BoldItalic	<b><i>ABCDEF abcdefg 0123456789 &amp;?!\$ ,</i></b>
GreekSans737-Italic	<i>ABCDEF abcdefg 0123456789 &amp;?!\$ ,</i>
GreekSans851	<i>ABCDEF abcdefg 0123456789 &amp;?!\$ ,</i>
GreekSans851-Bold	<b>ABCDEF abcdefg 0123456789 &amp;?!\$ ,</b>
GreekSans851-BoldItalic	<b><i>ABCDEF abcdefg 0123456789 &amp;?!\$ ,</i></b>
GreekSans851-Italic	<i>ABCDEF abcdefg 0123456789 &amp;?!\$ ,</i>
GreekSans8859-7	<i>ABCDEF abcdefg 0123456789 &amp;?!\$ ,</i>
GreekSans8859-7Bold	<b>ABCDEF abcdefg 0123456789 &amp;?!\$ ,</b>
GreekSans8859-7BoldItalic	<b><i>ABCDEF abcdefg 0123456789 &amp;?!\$ ,</i></b>
GreekSans8859-7Italic	<i>ABCDEF abcdefg 0123456789 &amp;?!\$ ,</i>
GreekSerif737	<i>ABCDEF abcdefg 0123456789 &amp;?!\$ ,</i>
GreekSerif737-Bold	<b>ABCDEF abcdefg 0123456789 &amp;?!\$ ,</b>
GreekSerif737-BoldItalic	<b><i>ABCDEF abcdefg 0123456789 &amp;?!\$ ,</i></b>
GreekSerif737-Italic	<i>ABCDEF abcdefg 0123456789 &amp;?!\$ ,</i>
GreekSerif851	<i>ABCDEF abcdefg 0123456789 &amp;?!\$ ,</i>
GreekSerif851-Bold	<b>ABCDEF abcdefg 0123456789 &amp;?!\$ ,</b>
GreekSerif851-BoldItalic	<b><i>ABCDEF abcdefg 0123456789 &amp;?!\$ ,</i></b>
GreekSerif851-Italic	<i>ABCDEF abcdefg 0123456789 &amp;?!\$ ,</i>
GreekSerif8859-7	<i>ABCDEF abcdefg 0123456789 &amp;?!\$ ,</i>
GreekSerif8859-7Bold	<b>ABCDEF abcdefg 0123456789 &amp;?!\$ ,</b>
GreekSerif8859-7BoldItalic	<b><i>ABCDEF abcdefg 0123456789 &amp;?!\$ ,</i></b>
GreekSerif8859-7Italic	<i>ABCDEF abcdefg 0123456789 &amp;?!\$ ,</i>
Helvetica	<i>ABCDEF abcdefg 0123456789 &amp;?!\$ ,€</i>
Helvetica-Bold	<b>ABCDEF abcdefg 0123456789 &amp;?!\$ ,€</b>
Helvetica-BoldOblique	<b><i>ABCDEF abcdefg 0123456789 &amp;?!\$ ,€</i></b>
Helvetica-Condensed	<i>ABCDEF abcdefg 0123456789 &amp;?!\$ ,€</i>
Helvetica-Condensed-Bold	<b>ABCDEF abcdefg 0123456789 &amp;?!\$ ,€</b>
Helvetica-Condensed-BoldObli	<b><i>ABCDEF abcdefg 0123456789 &amp;?!\$ ,€</i></b>
Helvetica-Condensed-Oblique	<i>ABCDEF abcdefg 0123456789 &amp;?!\$ ,€</i>
Helvetica-Narrow	<i>ABCDEF abcdefg 0123456789 &amp;?!\$ ,€</i>
Helvetica-Narrow-Bold	<b>ABCDEF abcdefg 0123456789 &amp;?!\$ ,€</b>
Helvetica-Narrow-BoldOblique	<b><i>ABCDEF abcdefg 0123456789 &amp;?!\$ ,€</i></b>
Helvetica-Narrow-Oblique	<i>ABCDEF abcdefg 0123456789 &amp;?!\$ ,€</i>
Helvetica-Oblique	<i>ABCDEF abcdefg 0123456789 &amp;?!\$ ,€</i>
HoeflerText-Black	<b>ABCDEF abcdefg 0123456789 &amp;?!\$ ,€</b>
HoeflerText-BlackItalic	<b><i>ABCDEF abcdefg 0123456789 &amp;?!\$ ,€</i></b>
HoeflerText-Italic	<i>ABCDEF abcdefg 0123456789 &amp;?!\$ ,€</i>
HoeflerText-Ornaments	
HoeflerText-Regular	<i>ABCDEF abcdefg 0123456789 &amp;?!\$ ,€</i>
JoannaMT	<i>ABCDEF abcdefg 0123456789 &amp;?!\$ ,€</i>
JoannaMT-Bold	<b>ABCDEF abcdefg 0123456789 &amp;?!\$ ,€</b>
JoannaMT-BoldItalic	<b><i>ABCDEF abcdefg 0123456789 &amp;?!\$ ,€</i></b>
JoannaMT-Italic	<i>ABCDEF abcdefg 0123456789 &amp;?!\$ ,€</i>
LetterGothic	<i>ABCDEF abcdefg 0123456789 &amp;?!\$ ,€</i>
LetterGothic-Bold	<b>ABCDEF abcdefg 0123456789 &amp;?!\$ ,€</b>
LetterGothic-BoldSlanted	<b><i>ABCDEF abcdefg 0123456789 &amp;?!\$ ,€</i></b>
LetterGothic-Slanted	<i>ABCDEF abcdefg 0123456789 &amp;?!\$ ,€</i>
LubalinGraph-Book	<i>ABCDEF abcdefg 0123456789 &amp;?!\$ ,€</i>
LubalinGraph-BookOblique	<i>ABCDEF abcdefg 0123456789 &amp;?!\$ ,€</i>
LubalinGraph-Demi	<i>ABCDEF abcdefg 0123456789 &amp;?!\$ ,€</i>
LubalinGraph-DemiOblique	<i>ABCDEF abcdefg 0123456789 &amp;?!\$ ,€</i>
Marigold	<i>ABCDEF abcdefg 0123456789 &amp;?!\$ ,€</i>
Monalisa-Recut	<i>ABCDEF abcdefg 0123456789 &amp;?!\$ ,€</i>
Monaco	<i>ABCDEF abcdefg 0123456789 &amp;?!\$ ,€</i>
NewCenturySchlbk-Bold	<b>ABCDEF abcdefg 0123456789 &amp;?!\$ ,€</b>
NewCenturySchlbk-BoldItalic	<b><i>ABCDEF abcdefg 0123456789 &amp;?!\$ ,€</i></b>
NewCenturySchlbk-Italic	<i>ABCDEF abcdefg 0123456789 &amp;?!\$ ,€</i>
NewCenturySchlbk-Roman	<i>ABCDEF abcdefg 0123456789 &amp;?!\$ ,€</i>
NewYork	<i>ABCDEF abcdefg 0123456789 &amp;?!\$ ,€</i>
Optima	<i>ABCDEF abcdefg 0123456789 &amp;?!\$ ,€</i>
Optima-Bold	<b>ABCDEF abcdefg 0123456789 &amp;?!\$ ,€</b>
Optima-BoldItalic	<b><i>ABCDEF abcdefg 0123456789 &amp;?!\$ ,€</i></b>
Optima-Italic	<i>ABCDEF abcdefg 0123456789 &amp;?!\$ ,€</i>
Oxford	<i>ABCDEF abcdefg 0123456789 &amp;?!\$ ,€</i>
Palatino-Bold	<b>ABCDEF abcdefg 0123456789 &amp;?!\$ ,€</b>

# Liste over PostScript-skrifter

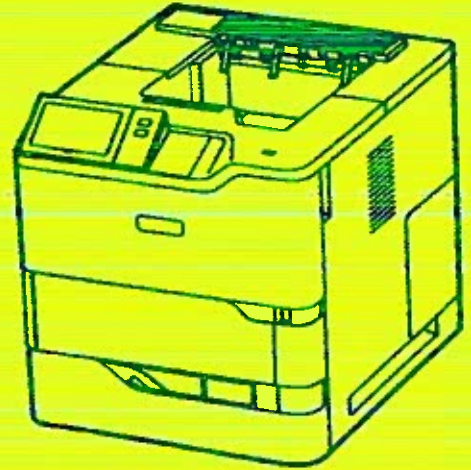
## Interne skrifter (fortsetter):

Palatino-BoldItalic	ABCDEF <i>abcdefg</i> 0123456789 &?!\$.€
Palatino-Italic	ABCDEF <i>abcdefg</i> 0123456789 &?!\$.€
Palatino-Roman	ABCDEF <i>abcdefg</i> 0123456789 &?!\$.€
StempelGaramond-Bold	ABCDEF <i>abcdefg</i> 0123456789 &?!\$.€
StempelGaramond-BoldItalic	ABCDEF <i>abcdefg</i> 0123456789 &?!\$.€
StempelGaramond-Italic	ABCDEF <i>abcdefg</i> 0123456789 &?!\$.€
StempelGaramond-Roman	ABCDEF <i>abcdefg</i> 0123456789 &?!\$.€
Symbol	ABXΔEΦΓ αβχδεφγ 0123456789 &?!\$.€
Tekton	ABCDEF <i>abcdefg</i> 0123456789 &?!\$.€
Times-Bold	ABCDEF <i>abcdefg</i> 0123456789 &?!\$.€
Times-BoldItalic	ABCDEF <i>abcdefg</i> 0123456789 &?!\$.€
Times-Italic	ABCDEF <i>abcdefg</i> 0123456789 &?!\$.€
Times-Roman	ABCDEF <i>abcdefg</i> 0123456789 &?!\$.€
TimesNewRomanPS-BoldItalicMT	ABCDEF <i>abcdefg</i> 0123456789 &?!\$.€
TimesNewRomanPS-BoldMT	ABCDEF <i>abcdefg</i> 0123456789 &?!\$.€
TimesNewRomanPS-ItalicMT	ABCDEF <i>abcdefg</i> 0123456789 &?!\$.€
TimesNewRomanPSMT	ABCDEF <i>abcdefg</i> 0123456789 &?!\$.€
Univers	ABCDEF <i>abcdefg</i> 0123456789 &?!\$.€
Univers-Bold	ABCDEF <i>abcdefg</i> 0123456789 &?!\$.€
Univers-BoldExt	ABCDEF <i>abcdefg</i> 0123456789 &?!\$.€
Univers-BoldExtObl	ABCDEF <i>abcdefg</i> 0123456789 &?!\$.€
Univers-BoldOblique	ABCDEF <i>abcdefg</i> 0123456789 &?!\$.€
Univers-Condensed	ABCDEF <i>abcdefg</i> 0123456789 &?!\$.€
Univers-CondensedBold	ABCDEF <i>abcdefg</i> 0123456789 &?!\$.€
Univers-CondensedBoldOblique	ABCDEF <i>abcdefg</i> 0123456789 &?!\$.€
Univers-CondensedOblique	ABCDEF <i>abcdefg</i> 0123456789 &?!\$.€
Univers-Extended	ABCDEF <i>abcdefg</i> 0123456789 &?!\$.€
Univers-ExtendedObl	ABCDEF <i>abcdefg</i> 0123456789 &?!\$.€
Univers-Light	ABCDEF <i>abcdefg</i> 0123456789 &?!\$.€
Univers-LightOblique	ABCDEF <i>abcdefg</i> 0123456789 &?!\$.€
Univers-Oblique	ABCDEF <i>abcdefg</i> 0123456789 &?!\$.€
Wingdings	
ZapfChancery-MediumItalic	ABCDEF <i>abcdefg</i> 0123456789 &?!\$.€
ZapfDingbats	

# Xerox® VersaLink® B620 Printer

Configurable, connected, and highly capable.

The VersaLink® B620 Printer gives you the freedom to work where and how you want. Loaded with features designed to increase productivity, this highly configurable, cloud-connected workplace assistant delivers completely new capabilities that go far beyond the competition. You can count on the B620 to make your business more efficient.



## PRINT. CLOUD.

-  65 ppm Letter  
61 ppm A4
-  Solutions
-  Cloud connectivity
-  1200 x 1200 dpi
-  Up to 3,850 pages
-  Optional: 3 additional paper trays



## Resident Fonts

Position	Font Name	Print Sample
1	Courier «Esc»(Symbol set«Esc»(s0p«pitch»h0s0b4099T	'ABCDEFGFGabcdefg0123456789&?!.,'
2	CG Times «Esc»(Symbol set«Esc»(s1p«size»v0s0b4101T	'ABCDEFGFGabcdefg0123456789&?!.,'
3	CG Times Bold «Esc»(Symbol set«Esc»(s1p«size»v0s3b4101T	'ABCDEFGFGabcdefg0123456789&?!.,'
4	CG Times Italic «Esc»(Symbol set«Esc»(s1p«size»v1s0b4101T	' <i>ABCDEFGFGabcdefg0123456789&amp;?!.,'</i>
5	CG Times Bold Italic «Esc»(Symbol set«Esc»(s1p«size»v1s3b4101T	' <b><i>ABCDEFGFGabcdefg0123456789&amp;?!.,'</i></b>
6	CG Omega «Esc»(Symbol set«Esc»(s1p«size»v0s0b4113T	'ABCDEFGFGabcdefg0123456789&?!.,'
7	CG Omega Bold «Esc»(Symbol set«Esc»(s1p«size»v0s3b4113T	' <b>ABCDEFGFGabcdefg0123456789&amp;?!.,'</b>
8	CG Omega Italic «Esc»(Symbol set«Esc»(s1p«size»v1s0b4113T	' <i>ABCDEFGFGabcdefg0123456789&amp;?!.,'</i>
9	CG Omega Bold Italic «Esc»(Symbol set«Esc»(s1p«size»v1s3b4113T	' <b><i>ABCDEFGFGabcdefg0123456789&amp;?!.,'</i></b>
10	Coronet «Esc»(Symbol set«Esc»(s1p«size»v1s0b4116T	' <i>ABCDEFGFGabcdefg0123456789&amp;?!.,'</i>
11	Clarendon Condensed «Esc»(Symbol set«Esc»(s1p«size»v4s3b4140T	' <b>ABCDEFGFGabcdefg0123456789&amp;?!.,'</b>
12	Univers Medium «Esc»(Symbol set«Esc»(s1p«size»v0s0b4148T	'ABCDEFGFGabcdefg0123456789&?!.,'
13	Univers Bold «Esc»(Symbol set«Esc»(s1p«size»v0s3b4148T	' <b>ABCDEFGFGabcdefg0123456789&amp;?!.,'</b>
14	Univers Medium Italic «Esc»(Symbol set«Esc»(s1p«size»v1s0b4148T	' <i>ABCDEFGFGabcdefg0123456789&amp;?!.,'</i>
15	Univers Bold Italic «Esc»(Symbol set«Esc»(s1p«size»v1s3b4148T	' <b><i>ABCDEFGFGabcdefg0123456789&amp;?!.,'</i></b>
16	Univers Medium Condensed «Esc»(Symbol set«Esc»(s1p«size»v4s0b4148T	' <b>ABCDEFGFGabcdefg0123456789&amp;?!.,'</b>
17	Univers Bold Condensed «Esc»(Symbol set«Esc»(s1p«size»v4s3b4148T	' <b>ABCDEFGFGabcdefg0123456789&amp;?!.,'</b>
18	Univers Medium Condensed Italic «Esc»(Symbol set«Esc»(s1p«size»v5s0b4148T	' <i>ABCDEFGFGabcdefg0123456789&amp;?!.,'</i>

Resident Fonts

Position	Font Name	Print Sample
19	Univers Bold Condensed Italic «Esc»(Symbol set«Esc»(s1p«size»v5s3b4148T	' <b>ABCDEFGGabcdefg0123456789&amp;?!.,'</b>
20	Antique Olive «Esc»(Symbol set«Esc»(s1p«size»v0s0b4168T	'ABCDEFGabcdefg0123456789&?!.,'
21	Antique Olive Bold «Esc»(Symbol set«Esc»(s1p«size»v0s3b4168T	' <b>ABCDEFGGabcdefg0123456789&amp;?!.,'</b>
22	Antique Olive Italic «Esc»(Symbol set«Esc»(s1p«size»v1s0b4168T	' <i>ABCDEFGGabcdefg0123456789&amp;?!.,'</i>
23	Garamond Antiqua «Esc»(Symbol set«Esc»(s1p«size»v0s0b4197T	'ABCDEFGabcdefg0123456789&?!.,'
24	Garamond Halbfett «Esc»(Symbol set«Esc»(s1p«size»v0s3b4197T	' <b>ABCDEFGGabcdefg0123456789&amp;?!.,'</b>
25	Garamond Kursiv «Esc»(Symbol set«Esc»(s1p«size»v1s0b4197T	' <i>ABCDEFGGabcdefg0123456789&amp;?!.,'</i>
26	Garamond Kursiv Halbfett «Esc»(Symbol set«Esc»(s1p«size»v1s3b4197T	' <b><i>ABCDEFGGabcdefg0123456789&amp;?!.,'</i></b>
27	Marigold «Esc»(Symbol set«Esc»(s1p«size»v0s0b4297T	'ABCDEFGabcdefg0123456789&?!.,'
28	Albertus Medium «Esc»(Symbol set«Esc»(s1p«size»v0s1b4362T	'ABCDEFGabcdefg0123456789&?!.,'
29	Albertus Extra Bold «Esc»(Symbol set«Esc»(s1p«size»v0s4b4362T	' <b>ABCDEFGGabcdefg0123456789&amp;?!.,'</b>
30	Ryadh «Esc»(Symbol set«Esc»(s1p«size»v0s0b4859T	ABCDEFGabcdefg0123456789&?!.,'
31	Ryadh Bold «Esc»(Symbol set«Esc»(s1p«size»v0s3b4859T	<b>ABCDEFGabcdefg0123456789&amp;?!.,'</b>
32	Malka «Esc»(Symbol set«Esc»(s1p«size»v0s0b16584T	ABCDEFGabcdefg0123456789&?!.,'
33	Malka Bold «Esc»(Symbol set«Esc»(s1p«size»v0s3b16584T	<b>ABCDEFGabcdefg0123456789&amp;?!.,'</b>
34	Malka Italic «Esc»(Symbol set«Esc»(s1p«size»v1s0b16584T	<i>ABCDEFGabcdefg0123456789&amp;?!.,'</i>
35	Dorit «Esc»(Symbol set«Esc»(s1p«size»v0s0b16585T	ABCDEFGabcdefg0123456789&?!.,'
36	Dorit Bold «Esc»(Symbol set«Esc»(s1p«size»v0s3b16585T	<b>ABCDEFGabcdefg0123456789&amp;?!.,'</b>

## Resident Fonts

Position	Font Name	Print Sample
37	Naamit «Esc»(Symbol set«Esc»(s1p«size»v0s0b16587T	ABCDEFGabcdefg0123456789&?!.,'
38	Naamit Bold «Esc»(Symbol set«Esc»(s1p«size»v0s3b16587T	ABCDEFGabcdefg0123456789&?!.,'
39	Arial «Esc»(Symbol set«Esc»(s1p«size»v0s0b16602T	'ABCDEFGabcdefg0123456789&?!.,'
40	Arial Bold «Esc»(Symbol set«Esc»(s1p«size»v0s3b16602T	'ABCDEFGabcdefg0123456789&?!.,'
41	Arial Italic «Esc»(Symbol set«Esc»(s1p«size»v1s0b16602T	'ABCDEFGabcdefg0123456789&?!.,'
42	Arial Bold Italic «Esc»(Symbol set«Esc»(s1p«size»v1s3b16602T	'ABCDEFGabcdefg0123456789&?!.,'
43	Times New Roman «Esc»(Symbol set«Esc»(s1p«size»v0s0b16901T	'ABCDEFGabcdefg0123456789&?!.,'
44	Times New Roman Bold «Esc»(Symbol set«Esc»(s1p«size»v0s3b16901T	'ABCDEFGabcdefg0123456789&?!.,'
45	Times New Roman Italic «Esc»(Symbol set«Esc»(s1p«size»v1s0b16901T	'ABCDEFGabcdefg0123456789&?!.,'
46	Times New Roman Bold Italic «Esc»(Symbol set«Esc»(s1p«size»v1s3b16901T	'ABCDEFGabcdefg0123456789&?!.,'
47	Helvetica «Esc»(Symbol set«Esc»(s1p«size»v0s0b24580T	'ABCDEFGabcdefg0123456789&?!.,'
48	Helvetica Bold «Esc»(Symbol set«Esc»(s1p«size»v0s3b24580T	'ABCDEFGabcdefg0123456789&?!.,'
49	Helvetica Oblique «Esc»(Symbol set«Esc»(s1p«size»v1s0b24580T	'ABCDEFGabcdefg0123456789&?!.,'
50	Helvetica Bold Oblique «Esc»(Symbol set«Esc»(s1p«size»v1s3b24580T	'ABCDEFGabcdefg0123456789&?!.,'
51	Helvetica Narrow «Esc»(Symbol set«Esc»(s1p«size»v4s0b24580T	'ABCDEFGabcdefg0123456789&?!.,'
52	Helvetica Narrow Bold «Esc»(Symbol set«Esc»(s1p«size»v4s3b24580T	'ABCDEFGabcdefg0123456789&?!.,'
53	Helvetica Narrow Oblique «Esc»(Symbol set«Esc»(s1p«size»v5s0b24580T	'ABCDEFGabcdefg0123456789&?!.,'
54	Helvetica Narrow Bold Oblique «Esc»(Symbol set«Esc»(s1p«size»v5s3b24580T	'ABCDEFGabcdefg0123456789&?!.,'

## Resident Fonts

Position	Font Name	Print Sample
55	Palatino Roman «Esc»(Symbol set«Esc»(s1p«size»v0s0b24591T	'ABCDEFGFGabcdefg0123456789&?!.,'
56	Palatino Bold «Esc»(Symbol set«Esc»(s1p«size»v0s3b24591T	'ABCDEFGFGabcdefg0123456789&?!.,'
57	Palatino Italic «Esc»(Symbol set«Esc»(s1p«size»v1s0b24591T	'ABCDEFGFGabcdefg0123456789&?!.,'
58	Palatino Bold Italic «Esc»(Symbol set«Esc»(s1p«size»v1s3b24591T	'ABCDEFGFGabcdefg0123456789&?!.,'
59	ITC Avant Garde Book «Esc»(Symbol set«Esc»(s1p«size»v0s0b24607T	'ABCDEFGFGabcdefg0123456789&?!.,'
60	ITC Avant Garde DemiBold «Esc»(Symbol set«Esc»(s1p«size»v0s2b24607T	'ABCDEFGFGabcdefg0123456789&?!.,'
61	ITC Avant Garde Book Oblique «Esc»(Symbol set«Esc»(s1p«size»v1s0b24607T	'ABCDEFGFGabcdefg0123456789&?!.,'
62	ITC Avant Garde DemiBold Oblique «Esc»(Symbol set«Esc»(s1p«size»v1s2b24607T	'ABCDEFGFGabcdefg0123456789&?!.,'
63	ITC Bookman Light «Esc»(Symbol set«Esc»(s1p«size»v0s-3b24623T	'ABCDEFGFGabcdefg0123456789&?!.,'
64	ITC Bookman DemiBold «Esc»(Symbol set«Esc»(s1p«size»v0s2b24623T	'ABCDEFGFGabcdefg0123456789&?!.,'
65	ITC Bookman Light Italic «Esc»(Symbol set«Esc»(s1p«size»v1s-3b24623T	'ABCDEFGFGabcdefg0123456789&?!.,'
66	ITC Bookman DemiBold Italic «Esc»(Symbol set«Esc»(s1p«size»v1s2b24623T	'ABCDEFGFGabcdefg0123456789&?!.,'
67	New Century Schoolbook Roman «Esc»(Symbol set«Esc»(s1p«size»v0s0b24703T	'ABCDEFGFGabcdefg0123456789&?!.,'
68	New Century Schoolbook Bold «Esc»(Symbol set«Esc»(s1p«size»v0s3b24703T	'ABCDEFGFGabcdefg0123456789&?!.,'
69	New Century Schoolbook Italic «Esc»(Symbol set«Esc»(s1p«size»v1s0b24703T	'ABCDEFGFGabcdefg0123456789&?!.,'
70	New Century Schoolbook Bold Ital «Esc»(Symbol set«Esc»(s1p«size»v1s3b24703T	'ABCDEFGFGabcdefg0123456789&?!.,'
71	Times Roman «Esc»(Symbol set«Esc»(s1p«size»v0s0b25093T	'ABCDEFGFGabcdefg0123456789&?!.,'
72	Times Roman Bold «Esc»(Symbol set«Esc»(s1p«size»v0s3b25093T	'ABCDEFGFGabcdefg0123456789&?!.,'

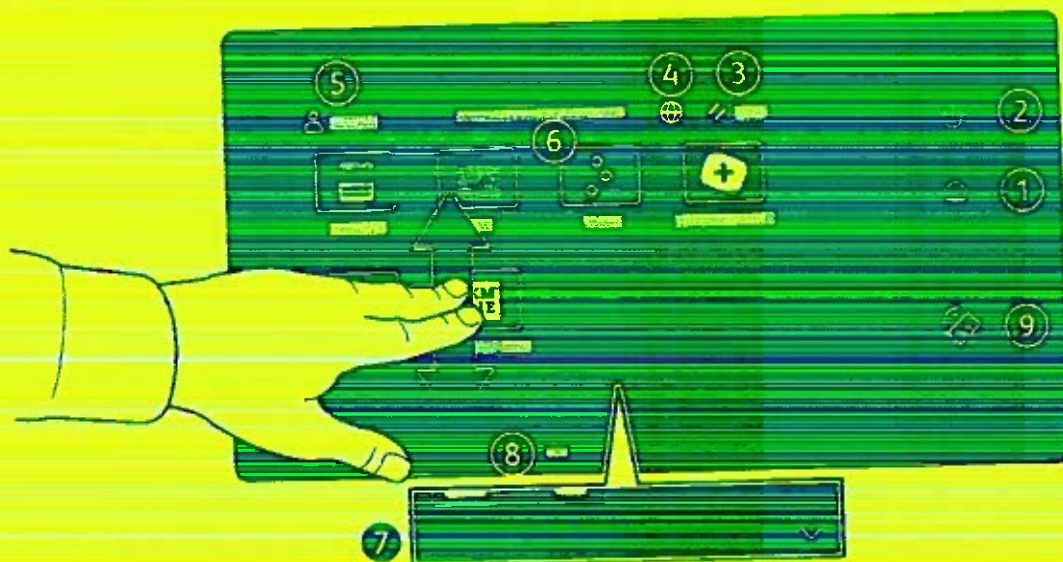


Resident Fonts

Position	Font Name	Print Sample
91	Courier PS Bold «Esc»(Symbol set«Esc»(s0p«pitch»h0s3b24579T	' <b>ABCDEFGG</b> abcdefg0123456789&?!.,'
92	Courier PS Oblique «Esc»(Symbol set«Esc»(s0p«pitch»h1s0b24579T	' <i>ABCDEFGG</i> abcdefg0123456789&?!.,'
93	Courier PS Bold Oblique «Esc»(Symbol set«Esc»(s0p«pitch»h1s3b24579T	' <b><i>ABCDEFGG</i></b> abcdefg0123456789&?!.,'
93	Line Printer «Esc»(8U«Esc»(s0p16.67h8.48v0s0b0T	'ABCDEFGGabcdefg0123456789&?!.,'

## Painel de controle

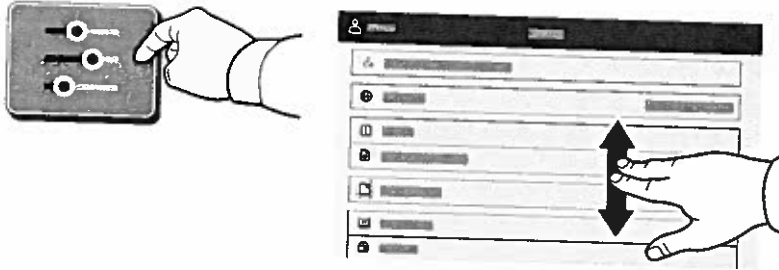
Os aplicativos disponíveis podem variar de acordo a configuração da impressora. Para obter detalhes sobre os aplicativos e recursos, consulte o *Guia do Usuário*.



- 1 **Página inicial** retorna à tela principal do aplicativo.
- 2 **Energia/Despertar** inicia a impressora ou fornece opções para repousar, reiniciar ou desligar a impressora.
- 3 **Restaurar** restaura as configurações aos valores padrão em todos os aplicativos.
- 4 **Idioma** fornece opções de idiomas da tela.
- 5 **Login** fornece acesso especial às ferramentas e configurações.
- 6 **Aplicativo do dispositivo** fornece acesso às informações e configurações da impressora.
- 7 **Faixa de notificação** mostra o status da impressora e os avisos. Para ver todas as notificações, toque na faixa. Para fechar faixa, toque na seta para baixo.
- 8 **LED de status** indica o status da impressora. Para obter informações detalhadas, consulte o *Guia do Usuário*.
- 9 **Área NFC** permite o emparelhamento com um dispositivo móvel para a impressão a partir de um aplicativo.

## Aplicativo do dispositivo

O aplicativo do dispositivo fornece acesso às informações e configurações da impressora. Alguns menus e configurações necessitam que se faça login com o nome e a senha do administrador.



## Informações de faturamento e uso

No menu Recursos do dispositivo, para exibir as contagens de impressões básicas, toque em **Faturamento/ Uso**. Para visualizar as contagens de uso detalhadas, selecione **Contadores de uso**. A lista fornece as categorias de contagens de impressões detalhadas.



Impressora  
Xerox® VersaLink® B620

## Servidor da Web incorporado

O Servidor da Web incorporado Xerox® permite o acesso aos detalhes da configuração da impressora, status do papel e suprimentos, status do trabalho e funções de diagnóstico pela rede.

Para conectar-se, em um navegador de Web, digite o endereço IP da impressora. O endereço IPv4 da rede está disponível na tela de seleção por toque do painel de controle. Toque no app **Dispositivo** > **Sobre** e depois role para baixo.

Para obter detalhes sobre como utilizar o Servidor da Web incorporado, consulte o *Guia do usuário* localizado no site Xerox.com.



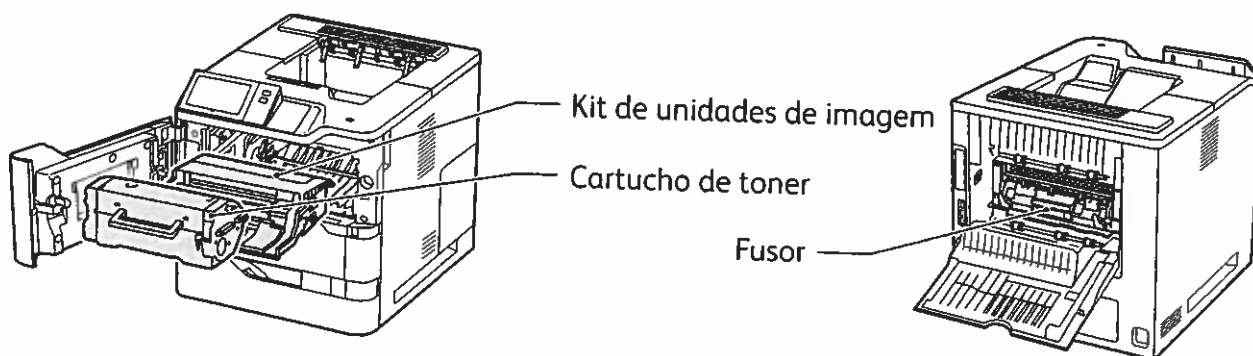
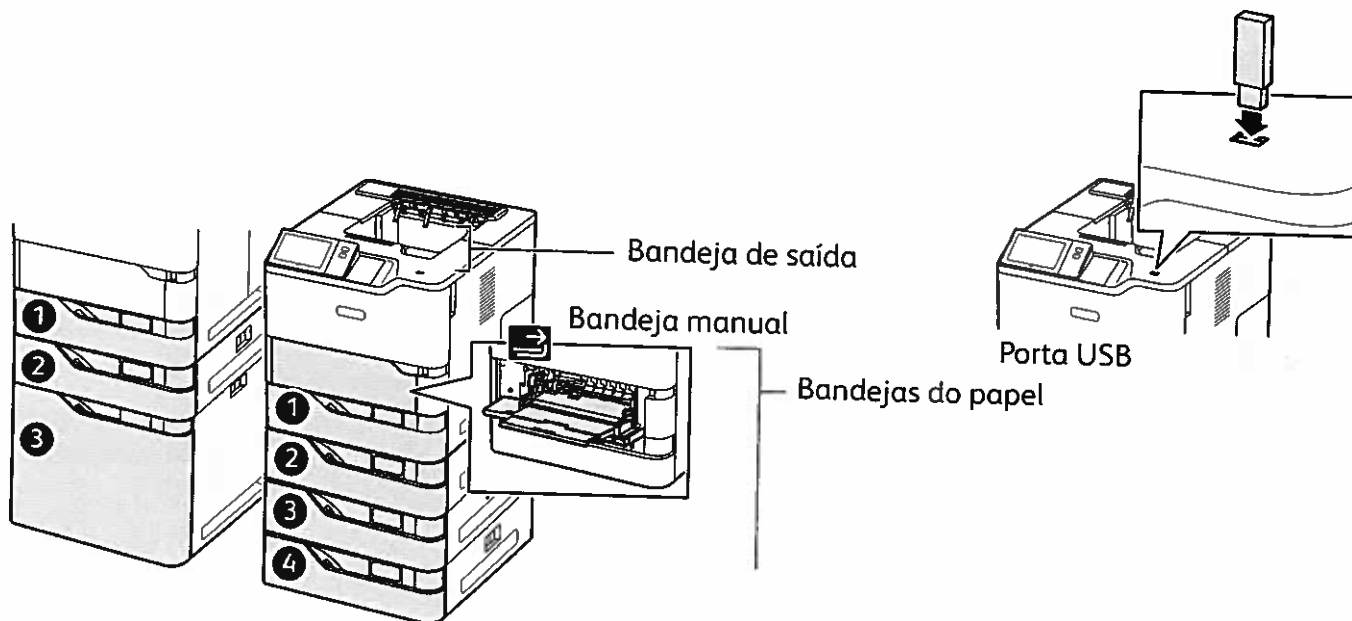
## App Gallery

O Xerox App Gallery possui uma crescente coleção de aplicativos de produtividade que podem ser instalados na impressora. Localize o aplicativo em sua tela inicial e crie o login diretamente ou acesse [www.xerox.com/appgallery](http://www.xerox.com/appgallery) para login e adicione em seu dispositivo. Para simplificar a instalação do aplicativo, use o mesmo nome que você usou para login na impressora como suas credenciais de login na galeria do aplicativo.



## Roteiro da impressora

Os acessórios opcionais podem fazer parte da configuração da impressora. Para obter detalhes, consulte o *Guia do Usuário*.



## Manuseio do papel

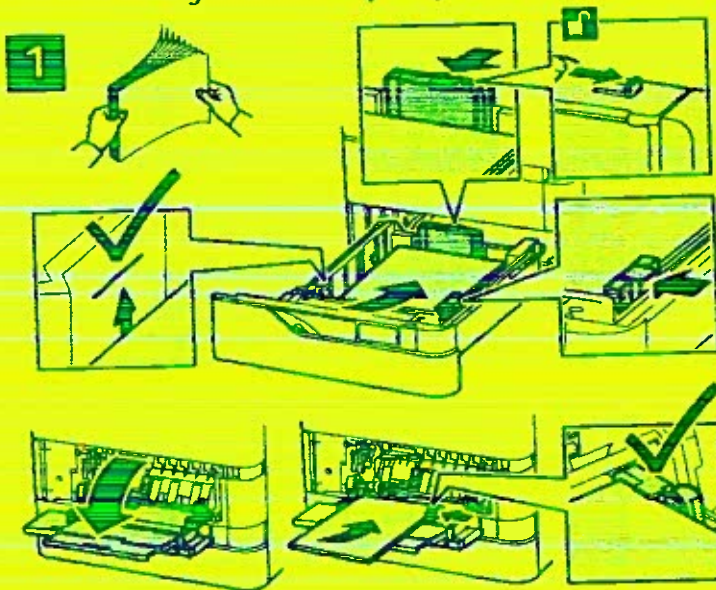
Para obter uma lista completa de papéis que funcionam com a impressora, consulte a Recommended Media List (Lista de materiais recomendados) em:

[www.xerox.com/rmlna](http://www.xerox.com/rmlna) (EUA e Canadá)

[www.xerox.com/rmlEU](http://www.xerox.com/rmlEU) (Europa)

Para obter detalhes sobre as bandejas e o papel, consulte o *Guia do Usuário*.

## Colocação do papel



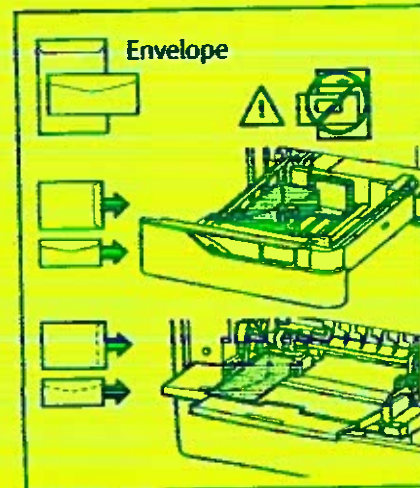
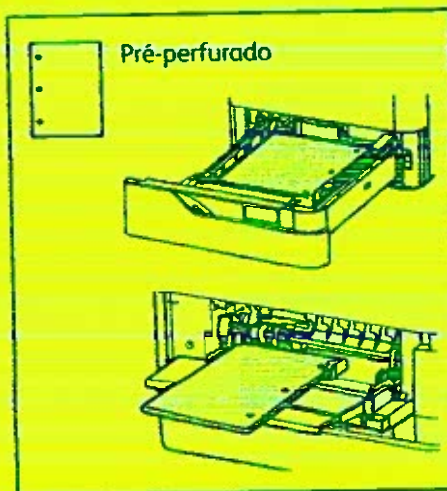
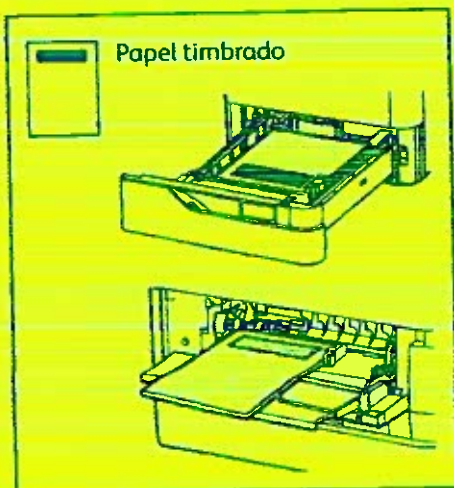
Confirme ou altere as configurações de tamanho de tipo, se necessário.



Para obter melhores resultados, ventile as bordas do papel. Regule as guias para que se ajustem ao tamanho do papel. Não coloque papel acima da linha de preenchimento máximo.

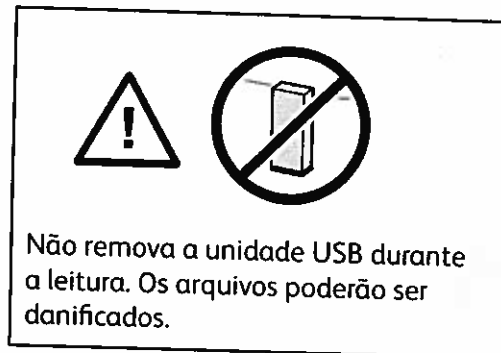
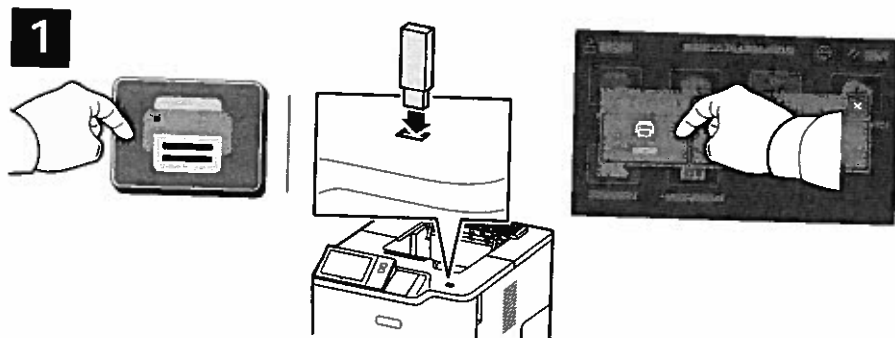
Ao imprimir, selecione as opções no driver de impressão.

## Orientação do papel



## Impressão de uma unidade USB

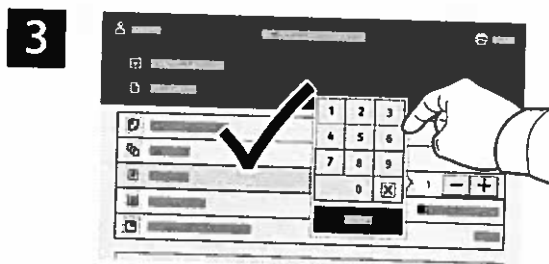
É possível imprimir arquivos .pdf, .tiff, .ps, .xps e outros tipos diretamente a partir de uma unidade USB. Para obter mais informações, consulte o *Guia do Usuário*.



Selecione **Imprimir de** ou insira a unidade USB e depois escolha **Imprimir de USB**.



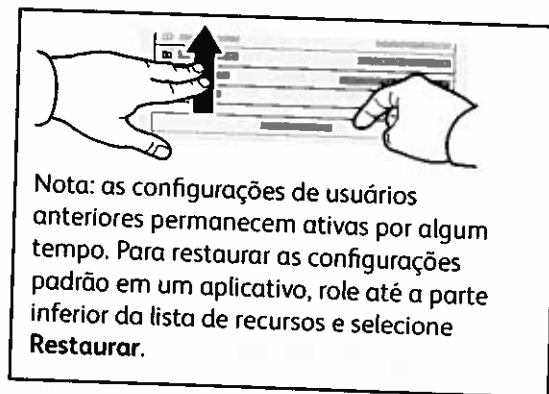
Selecione **Adicionar documento**, navegue até os arquivos e selecione-os.



Para selecionar o número de cópias, toque no sinal de mais (+) ou sinal de menos (-). Para quantidades maiores, selecione **Quantidade** e insira um número.



Selecione as configurações, conforme necessário, e depois toque em **Salvar**.



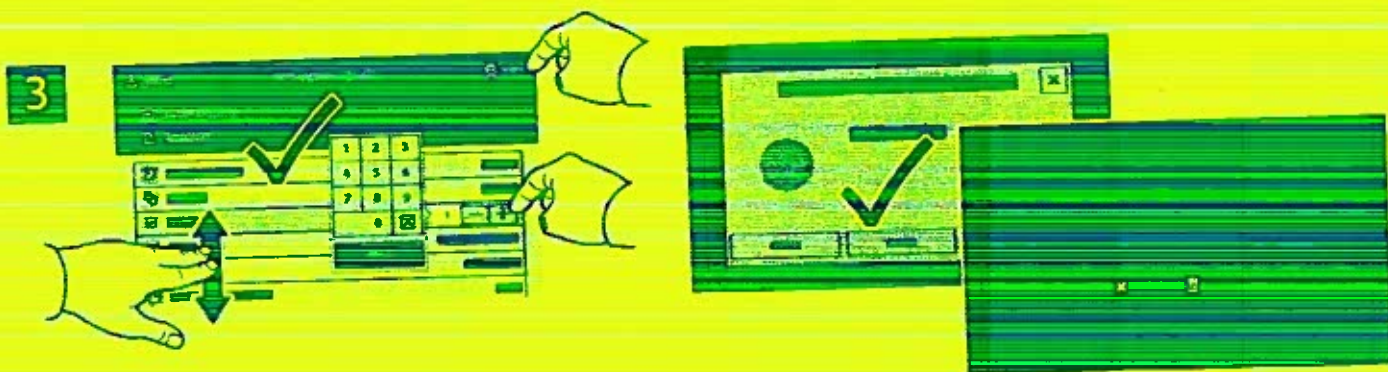
## Impressão de trabalhos armazenados na impressora



É possível enviar um trabalho de impressão para salvar na impressora e depois selecioná-lo no painel de controle para impressão. Os trabalhos podem ser salvos na pasta pública ou ser protegidos por senha. No driver de impressora Xerox®, selecione **Propriedades** (Windows) ou **Funções Xerox** (Mac OS) e depois **Tipo de trabalho**. Selecione **Trabalho salvo** ou **Impressão protegida**. Para **Impressão protegida**, digite uma senha. Clique em **OK** e imprima o trabalho.



Selecione **Imprimir de** e depois toque em **Trabalhos salvos**. Selecione a **Pasta pública padrão** e depois selecione o trabalho de impressão.



Selecione as configurações da lista. Para selecionar o número de cópias, toque no sinal de mais (+) ou sinal de menos (-). Para quantidades maiores, selecione **Quantidade** e insira um número. Toque em **Imprimir**. Para excluir o trabalho, na tela de impressão e confirmação, selecione **Excluir**.

## Kontrollpanel

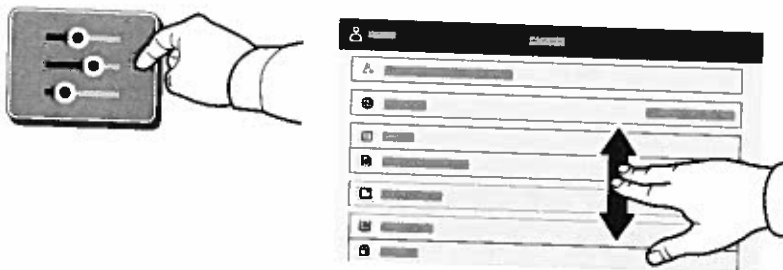
Tilgjengelige apper kan variere avhengig av skriveroppsettet. Se *brukerhåndboken* for mer informasjon om apper og funksjoner.



- 1 Hjem går tilbake til hovedvinduet til appen.
- 2 Strøm/Aktiver starter skriveren eller gir deg alternativer for å aktivere dvalemodus, starte skriveren på nytt eller slå av skriveren.
- 3 Tilbakestill gjenoppretter innstillingene til standardverdiene i alle apper.
- 4 Språk gir deg muligheten til å velge skjermespråket.
- 5 Logg inn gir deg spesialtilgang til verktøy og innstillinger.
- 6 Enhetsapp gir deg tilgang til skriverinformasjon og innstillinger.
- 7 Varslingsbanner viser skriverstatus og advarsler. For å se alle varsler, trykk på banneret. For å lukke banneret, trykk på pil n
- 8 Status-LED indikerer skriverstatus. For detaljert informasjon, se *brukerveiledningen*.
- 9 I NFC-området kan maskinen pares med en mobilenhet for utskrift fra en app.

## Enhetsapp

Enhetsappen gir deg tilgang til status for forbruksartikler, skriverinformasjon og innstillinger. Enkelte menyer og innstillinger krever at du logger deg inn ved å bruke administratornavnet og -passordet.



## Informasjon om fakturering og bruk

Du kan se antallet basistrykk ved å trykke på **Kontering/bruk** på Enhet-menyen. Trykk på **Brukertelleverk** hvis du vil vise detaljerte brukertelleverk. Listen inneholder kategorier med detaljert informasjon om antall trykk.



## Innebygd webserver

Med den innebygde Xerox®-webserveren får du tilgang til informasjon om skriverkonfigurasjon, status for papir og forbruksartikler, jobbstatus og diagnosefunksjoner over nettverket.

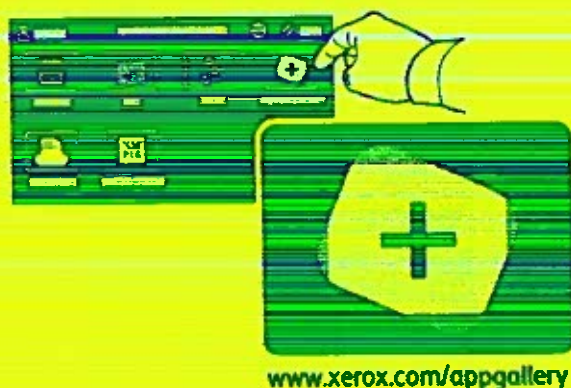
Koble til ved å skrive inn skriverens IP-adresse i nettleseren. IPv4-adressen til nettverket finner du på berøringssskjermen på kontrollpanelet. Trykk på enhetsappen > Om, og bla nedover.

Se *brugerhåndboken* på Xerox.com hvis du vil ha mer informasjon om den innebygde webserveren.



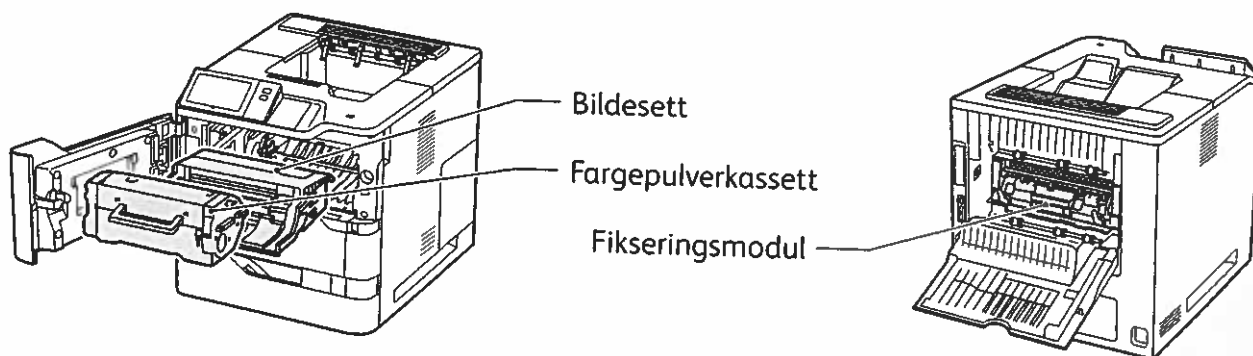
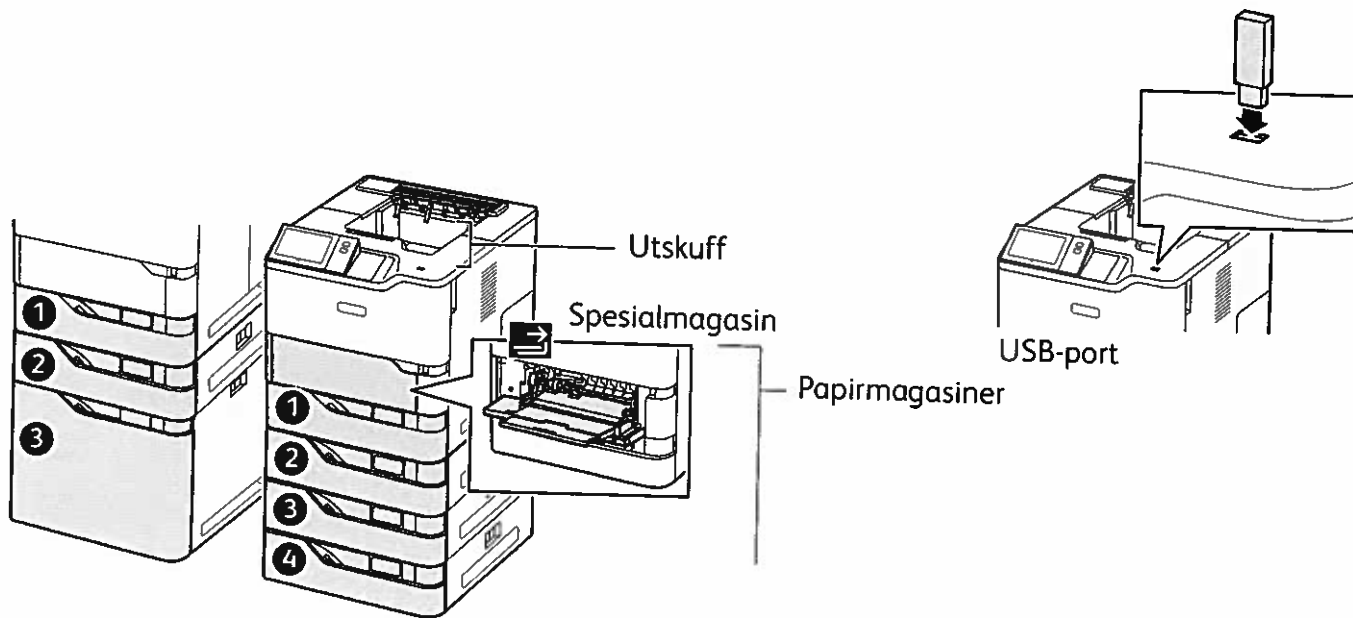
## Appgalleri

Xerox appgalleriet har en stadig voksende samling produktivitetsapper som du kan installere på skriveren. Finn appen i startvinduet for tjenester og opprett en pålogging direkte, eller gå til [www.xerox.com/appgalleri](http://www.xerox.com/appgalleri) for å logg på og legge til enheten. Du kan forenkle appinstallasjonen ved å bruke samme navn for pålogging til appgalleriet som du brukte for å logge på skriveren.



# Oversikt over skriveren

Skriveren kan utstyres med valgfritt tillegg utstyr. Se *brugerhåndboken* for nærmere informasjon.



## Papirmating

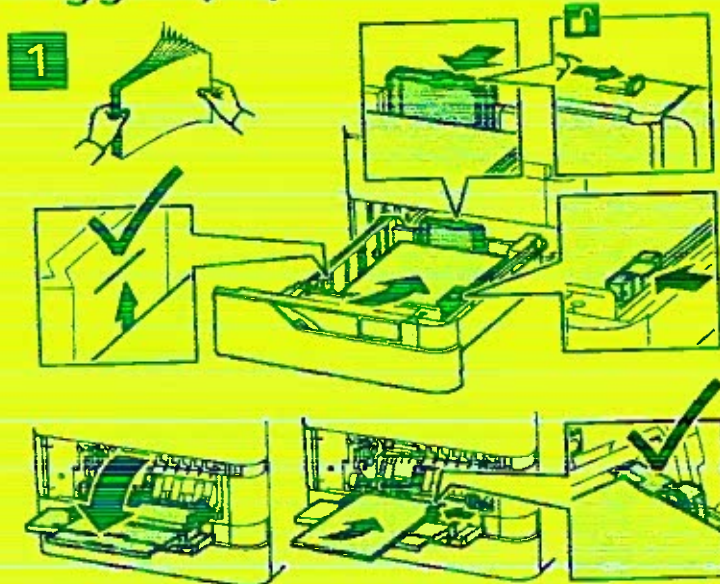
Hvis du vil ha en fullstendig liste over papir du kan bruke i skriveren, kan du se Recommended Media List (Liste over anbefalte medier) på:

[www.xerox.com/rmlna](http://www.xerox.com/rmlna) (USA og Canada)

[www.xerox.com/rmlen](http://www.xerox.com/rmlen) (Europa)

Se i *brugerhåndboken* hvis du vil vite mer om magasiner og papir.

## Legge i papir



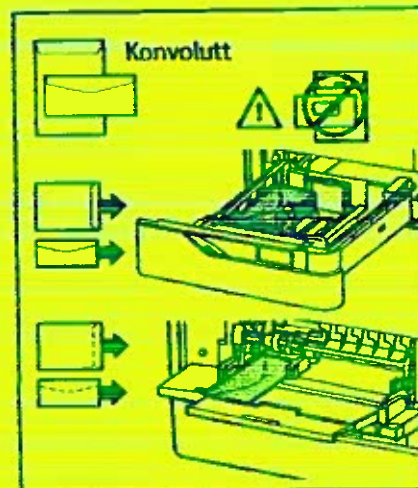
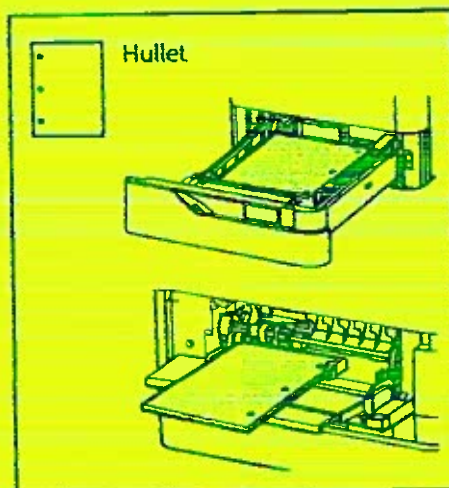
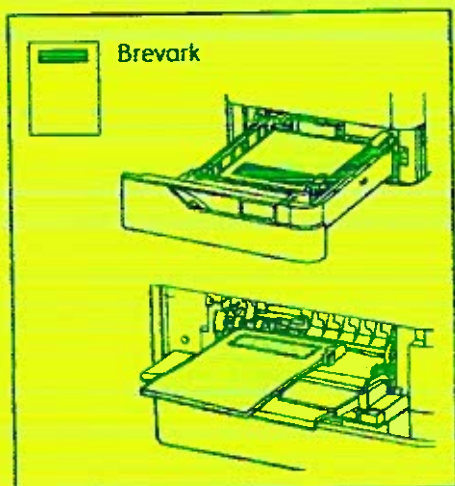
Kontroller eller endre innstillinger for format og type om nødvendig.



Du får best resultat ved å luften kantene på papiret. Juster støttene etter papirformatet. Ikke fyll papir over maksimumstreken.

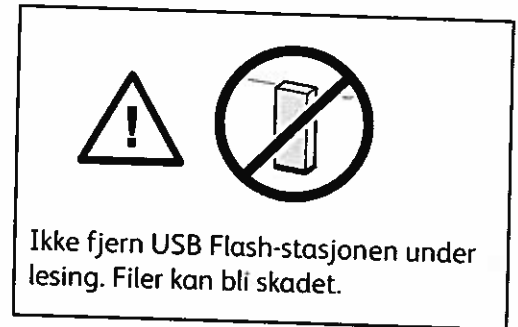
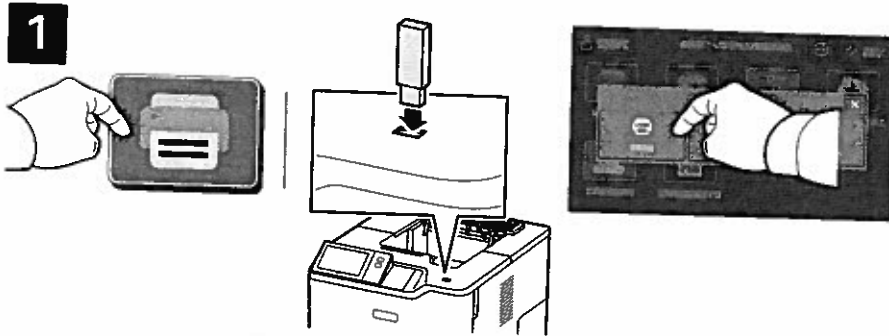
Velg alternativer i skriverdriveren når du skriver ut

## Papirorientering

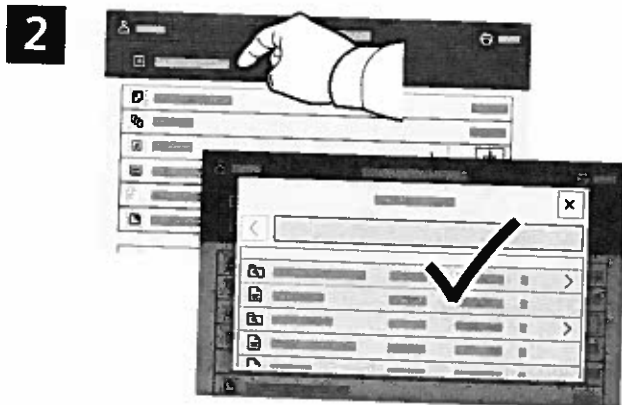


# Skrive ut fra en USB Flash-stasjon

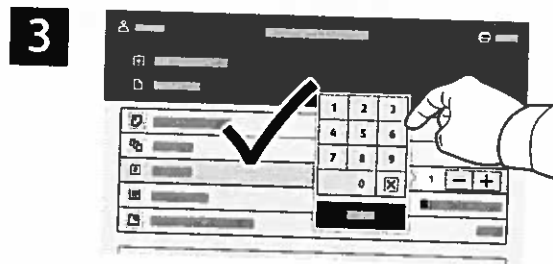
Du kan skrive ut PDF-, TIFF-, PS-, XPS-filer og andre filtyper direkte fra en USB Flash-stasjon. Se *brugerhåndboken* for nærmere informasjon.



Trykk på **Skriv ut fra** eller sett inn USB Flash-stasjonen, velg deretter **Skriv ut fra USB**.



Trykk på **Legg til dokument**, naviger til filene, og velg dem.



Velg antall eksemplarer ved å trykke på plusstegnet (+) eller minustegnet (-). For et stort antall eksemplarer trykker du på **Antall** og skriver inn antallet.



Velg innstillinger, og trykk på **Skriv ut**.



## Skrive ut jobber som er lagret i skriveren



Du kan sende en utskriftsjobb til skriveren og senere velge og skrive ut jobben fra skriverens kontrollpanel. Jobbene kan lagres i fellesmappen eller beskyttes med passord. Åpne Xerox®-skriverdriveren, velg **Egenskaper** (Windows) eller **Xerox-funksjoner** (Mac OS), og velg deretter **Jobbtype**. Velg **Lagret jobb** eller **Sikret utskrift**. Skriv inn passord for sikret utskrift. Klikk på **OK** og skriv ut jobben.



Trykk på **Skriv ut fra** og deretter på **Lagrede jobber**. Velg **Standard fellesmappe**, og velg deretter utskriftsjobben.



Velg innstillinger fra listen. Velg antall eksemplarer ved å trykke på plusstegnet (+) eller minustegnet (-). For et stort antall eksemplarer trykker du på **Antall** og skriver inn antallet. Trykk på **Skriv ut**. Du sletter jobben ved å trykke på **Slett** i utskriftsvinduet og bekreftelsesvinduet.

# Liste over PostScript-skifter

## Interne skifter:

AlbertusMT	ABCDEF G abcdefg 0123456789 &?!\$.€
AlbertusMT-Italic	ABCDEF G abcdefg 0123456789 &?!\$.€
AlbertusMT-Light	ABCDEF G abcdefg 0123456789 &?!\$.€
AntiqueOlive-Bold	ABCDEF G abcdefg 0123456789 &?!\$.€
AntiqueOlive-Compact	ABCDEF G abcdefg 0123456789 &?!\$.€
AntiqueOlive-Italic	ABCDEF G abcdefg 0123456789 &?!\$.€
AntiqueOlive-Roman	ABCDEF G abcdefg 0123456789 &?!\$.€
Apple-Chancery	ABCDEF G abcdefg 0123456789 &?!\$.€
Arial-BoldItalicMT	ABCDEF G abcdefg 0123456789 &?!\$.€
Arial-BoldMT	ABCDEF G abcdefg 0123456789 &?!\$.€
Arial-ItalicMT	ABCDEF G abcdefg 0123456789 &?!\$.€
ArialMT	ABCDEF G abcdefg 0123456789 &?!\$.€
AvantGarde-Book	ABCDEF G abcdefg 0123456789 &?!\$.€
AvantGarde-BookOblique	ABCDEF G abcdefg 0123456789 &?!\$.€
AvantGarde-Demi	ABCDEF G abcdefg 0123456789 &?!\$.€
AvantGarde-DemiOblique	ABCDEF G abcdefg 0123456789 &?!\$.€
Bodoni	ABCDEF G abcdefg 0123456789 &?!\$.€
Bodoni-Bold	ABCDEF G abcdefg 0123456789 &?!\$.€
Bodoni-BoldItalic	ABCDEF G abcdefg 0123456789 &?!\$.€
Bodoni-Italic	ABCDEF G abcdefg 0123456789 &?!\$.€
Bodoni-Poster	ABCDEF G abcdefg 0123456789 &?!\$.€
Bodoni-PosterCompressed	ABCDEF G abcdefg 0123456789 &?!\$.€
Bookman-Demi	ABCDEF G abcdefg 0123456789 &?!\$.€
Bookman-DemiItalic	ABCDEF G abcdefg 0123456789 &?!\$.€
Bookman-Light	ABCDEF G abcdefg 0123456789 &?!\$.€
Bookman-LightItalic	ABCDEF G abcdefg 0123456789 &?!\$.€
Carta	ABCDEF G abcdefg 0123456789 &?!\$.€
Chicago	ABCDEF G abcdefg 0123456789 &?!\$.€
Clarendon	ABCDEF G abcdefg 0123456789 &?!\$.€
Clarendon-Bold	ABCDEF G abcdefg 0123456789 &?!\$.€
Clarendon-Light	ABCDEF G abcdefg 0123456789 &?!\$.€
CooperBlack	ABCDEF G abcdefg 0123456789 &?!\$.€
CooperBlack-Italic	ABCDEF G abcdefg 0123456789 &?!\$.€
Copperplate-ThirtyThreeBC	ABCDEF G ABCDEF G 0123456789 &?!\$.€
Copperplate-ThirtyTwoBC	ABCDEF G ABCDEF G 0123456789 &?!\$.€
Coronet-Regular	ABCDEF G abcdefg 0123456789 &?!\$.€
Courier	ABCDEF G abcdefg 0123456789 &?!\$.€
Courier-Bold	ABCDEF G abcdefg 0123456789 &?!\$.€
Courier-BoldOblique	ABCDEF G abcdefg 0123456789 &?!\$.€
Courier-Oblique	ABCDEF G abcdefg 0123456789 &?!\$.€
Eurostile	ABCDEF G abcdefg 0123456789 &?!\$.€
Eurostile-Bold	ABCDEF G abcdefg 0123456789 &?!\$.€
Eurostile-BoldExtendedTwo	ABCDEF G abcdefg 0123456789 &?!\$.€
Eurostile-ExtendedTwo	ABCDEF G abcdefg 0123456789 &?!\$.€
Geneva	ABCDEF G abcdefg 0123456789 &?!\$.€
GillSans	ABCDEF G abcdefg 0123456789 &?!\$.€
GillSans-Bold	ABCDEF G abcdefg 0123456789 &?!\$.€
GillSans-BoldCondensed	ABCDEF G abcdefg 0123456789 &?!\$.€
GillSans-BoldItalic	ABCDEF G abcdefg 0123456789 &?!\$.€
GillSans-Condensed	ABCDEF G abcdefg 0123456789 &?!\$.€
GillSans-ExtraBold	ABCDEF G abcdefg 0123456789 &?!\$.€
GillSans-Italic	ABCDEF G abcdefg 0123456789 &?!\$.€
GillSans-Light	ABCDEF G abcdefg 0123456789 &?!\$.€
GillSans-LightItalic	ABCDEF G abcdefg 0123456789 &?!\$.€
Goudy	ABCDEF G abcdefg 0123456789 &?!\$.€
Goudy-Bold	ABCDEF G abcdefg 0123456789 &?!\$.€
Goudy-BoldItalic	ABCDEF G abcdefg 0123456789 &?!\$.€
Goudy-ExtraBold	ABCDEF G abcdefg 0123456789 &?!\$.€
Goudy-Italic	ABCDEF G abcdefg 0123456789 &?!\$.€
GreekMono737	ABCDEF G abcdefg 0123456789 &?!\$.€
GreekMono737-Bold	ABCDEF G abcdefg 0123456789 &?!\$.€
GreekMono737-BoldItalic	ABCDEF G abcdefg 0123456789 &?!\$.€
GreekMono737-Italic	ABCDEF G abcdefg 0123456789 &?!\$.€
GreekMono851	ABCDEF G abcdefg 0123456789 &?!\$.€
GreekMono851-Bold	ABCDEF G abcdefg 0123456789 &?!\$.€
GreekMono851-BoldItalic	ABCDEF G abcdefg 0123456789 &?!\$.€
GreekMono851-Italic	ABCDEF G abcdefg 0123456789 &?!\$.€
GreekMono8859-7	ABCDEF G abcdefg 0123456789 &?!\$.€
GreekMono8859-7Bold	ABCDEF G abcdefg 0123456789 &?!\$.€

# Liste over PostScript-skrifter

## Interne skrifter (fortsetter):

GreekMono8859-7BoldItalic	<i>ABCDEF abcdefg 0123456789 &amp;?!\$. ,</i>
GreekMono8859-7Italic	<i>ABCDEF abcdefg 0123456789 &amp;?!\$. ,</i>
GreekSans737	<i>ABCDEF abcdefg 0123456789 &amp;?!\$. ,</i>
GreekSans737-Bold	<b><i>ABCDEF abcdefg 0123456789 &amp;?!\$. ,</i></b>
GreekSans737-BoldItalic	<b><i>ABCDEF abcdefg 0123456789 &amp;?!\$. ,</i></b>
GreekSans737-Italic	<i>ABCDEF abcdefg 0123456789 &amp;?!\$. ,</i>
GreekSans851	<i>ABCDEF abcdefg 0123456789 &amp;?!\$. ,</i>
GreekSans851-Bold	<b><i>ABCDEF abcdefg 0123456789 &amp;?!\$. ,</i></b>
GreekSans851-BoldItalic	<b><i>ABCDEF abcdefg 0123456789 &amp;?!\$. ,</i></b>
GreekSans851-Italic	<i>ABCDEF abcdefg 0123456789 &amp;?!\$. ,</i>
GreekSans8859-7	<i>ABCDEF abcdefg 0123456789 &amp;?!\$. ,</i>
GreekSans8859-7Bold	<b><i>ABCDEF abcdefg 0123456789 &amp;?!\$. ,</i></b>
GreekSans8859-7BoldItalic	<b><i>ABCDEF abcdefg 0123456789 &amp;?!\$. ,</i></b>
GreekSans8859-7Italic	<i>ABCDEF abcdefg 0123456789 &amp;?!\$. ,</i>
GreekSerif737	<i>ABCDEF abcdefg 0123456789 &amp;?!\$. ,</i>
GreekSerif737-Bold	<b><i>ABCDEF abcdefg 0123456789 &amp;?!\$. ,</i></b>
GreekSerif737-BoldItalic	<b><i>ABCDEF abcdefg 0123456789 &amp;?!\$. ,</i></b>
GreekSerif737-Italic	<i>ABCDEF abcdefg 0123456789 &amp;?!\$. ,</i>
GreekSerif851	<i>ABCDEF abcdefg 0123456789 &amp;?!\$. ,</i>
GreekSerif851-Bold	<b><i>ABCDEF abcdefg 0123456789 &amp;?!\$. ,</i></b>
GreekSerif851-BoldItalic	<b><i>ABCDEF abcdefg 0123456789 &amp;?!\$. ,</i></b>
GreekSerif851-Italic	<i>ABCDEF abcdefg 0123456789 &amp;?!\$. ,</i>
GreekSerif8859-7	<i>ABCDEF abcdefg 0123456789 &amp;?!\$. ,</i>
GreekSerif8859-7Bold	<b><i>ABCDEF abcdefg 0123456789 &amp;?!\$. ,</i></b>
GreekSerif8859-7BoldItalic	<b><i>ABCDEF abcdefg 0123456789 &amp;?!\$. ,</i></b>
GreekSerif8859-7Italic	<i>ABCDEF abcdefg 0123456789 &amp;?!\$. ,</i>
Helvetica	<i>ABCDEF abcdefg 0123456789 &amp;?!\$. ,€</i>
Helvetica-Bold	<b><i>ABCDEF abcdefg 0123456789 &amp;?!\$. ,€</i></b>
Helvetica-BoldOblique	<b><i>ABCDEF abcdefg 0123456789 &amp;?!\$. ,€</i></b>
Helvetica-Condensed	<i>ABCDEF abcdefg 0123456789 &amp;?!\$. ,€</i>
Helvetica-Condensed-Bold	<b><i>ABCDEF abcdefg 0123456789 &amp;?!\$. ,€</i></b>
Helvetica-Condensed-BoldObli	<b><i>ABCDEF abcdefg 0123456789 &amp;?!\$. ,€</i></b>
Helvetica-Condensed-Oblique	<i>ABCDEF abcdefg 0123456789 &amp;?!\$. ,€</i>
Helvetica-Narrow	<i>ABCDEF abcdefg 0123456789 &amp;?!\$. ,€</i>
Helvetica-Narrow-Bold	<b><i>ABCDEF abcdefg 0123456789 &amp;?!\$. ,€</i></b>
Helvetica-Narrow-BoldOblique	<b><i>ABCDEF abcdefg 0123456789 &amp;?!\$. ,€</i></b>
Helvetica-Narrow-Oblique	<i>ABCDEF abcdefg 0123456789 &amp;?!\$. ,€</i>
Helvetica-Oblique	<i>ABCDEF abcdefg 0123456789 &amp;?!\$. ,€</i>
HoeflerText-Black	<b><i>ABCDEF abcdefg 0123456789 &amp;?!\$. ,€</i></b>
HoeflerText-BlackItalic	<b><i>ABCDEF abcdefg 0123456789 &amp;?!\$. ,€</i></b>
HoeflerText-Italic	<i>ABCDEF abcdefg 0123456789 &amp;?!\$. ,€</i>
HoeflerText-Ornaments	<i>ABCDEF abcdefg 0123456789 &amp;?!\$. ,€</i>
HoeflerText-Regular	<i>ABCDEF abcdefg 0123456789 &amp;?!\$. ,€</i>
JoannaMT	<i>ABCDEF abcdefg 0123456789 &amp;?!\$. ,€</i>
JoannaMT-Bold	<b><i>ABCDEF abcdefg 0123456789 &amp;?!\$. ,€</i></b>
JoannaMT-BoldItalic	<b><i>ABCDEF abcdefg 0123456789 &amp;?!\$. ,€</i></b>
JoannaMT-Italic	<i>ABCDEF abcdefg 0123456789 &amp;?!\$. ,€</i>
LetterGothic	<i>ABCDEF abcdefg 0123456789 &amp;?!\$. ,€</i>
LetterGothic-Bold	<b><i>ABCDEF abcdefg 0123456789 &amp;?!\$. ,€</i></b>
LetterGothic-BoldSlanted	<b><i>ABCDEF abcdefg 0123456789 &amp;?!\$. ,€</i></b>
LetterGothic-Slanted	<i>ABCDEF abcdefg 0123456789 &amp;?!\$. ,€</i>
LubalinGraph-Book	<i>ABCDEF abcdefg 0123456789 &amp;?!\$. ,€</i>
LubalinGraph-BookOblique	<i>ABCDEF abcdefg 0123456789 &amp;?!\$. ,€</i>
LubalinGraph-Demi	<b><i>ABCDEF abcdefg 0123456789 &amp;?!\$. ,€</i></b>
LubalinGraph-DemiOblique	<b><i>ABCDEF abcdefg 0123456789 &amp;?!\$. ,€</i></b>
Marigold	<i>ABCDEF abcdefg 0123456789 &amp;?!\$. ,€</i>
MonaLisa-Recut	<i>ABCDEF abcdefg 0123456789 &amp;?!\$. ,€</i>
Monaco	<i>ABCDEF abcdefg 0123456789 &amp;?!\$. ,€</i>
NewCenturySchlbk-Bold	<b><i>ABCDEF abcdefg 0123456789 &amp;?!\$. ,€</i></b>
NewCenturySchlbk-BoldItalic	<b><i>ABCDEF abcdefg 0123456789 &amp;?!\$. ,€</i></b>
NewCenturySchlbk-Italic	<i>ABCDEF abcdefg 0123456789 &amp;?!\$. ,€</i>
NewCenturySchlbk-Roman	<i>ABCDEF abcdefg 0123456789 &amp;?!\$. ,€</i>
NewYork	<i>ABCDEF abcdefg 0123456789 &amp;?!\$. ,€</i>
Optima	<i>ABCDEF abcdefg 0123456789 &amp;?!\$. ,€</i>
Optima-Bold	<b><i>ABCDEF abcdefg 0123456789 &amp;?!\$. ,€</i></b>
Optima-BoldItalic	<b><i>ABCDEF abcdefg 0123456789 &amp;?!\$. ,€</i></b>
Optima-Italic	<i>ABCDEF abcdefg 0123456789 &amp;?!\$. ,€</i>
Oxford	<i>ABCDEF abcdefg 0123456789 &amp;?!\$. ,€</i>
Palatino-Bold	<b><i>ABCDEF abcdefg 0123456789 &amp;?!\$. ,€</i></b>

# Liste over PostScript-skrifter

## Interne skrifter (fortsetter):

Palatino-BoldItalic	ABCDEF G abcdefg 0123456789 &?!\$.€
Palatino-Italic	ABCDEF G abcdefg 0123456789 &?!\$.€
Palatino-Roman	ABCDEF G abcdefg 0123456789 &?!\$.€
StempelGaramond-Bold	ABCDEF G abcdefg 0123456789 &?!\$.€
StempelGaramond-BoldItalic	ABCDEF G abcdefg 0123456789 &?!\$.€
StempelGaramond-Italic	ABCDEF G abcdefg 0123456789 &?!\$.€
StempelGaramond-Roman	ABCDEF G abcdefg 0123456789 &?!\$.€
Symbol	ABXΔEΦΓ αβγδεφγ 0123456789 &?!\$.€
Tekton	ABCDEF G abcdefg 0123456789 &?!\$.€
Times-Bold	ABCDEF G abcdefg 0123456789 &?!\$.€
Times-BoldItalic	ABCDEF G abcdefg 0123456789 &?!\$.€
Times-Italic	ABCDEF G abcdefg 0123456789 &?!\$.€
Times-Roman	ABCDEF G abcdefg 0123456789 &?!\$.€
TimesNewRomanPS-BoldItalicMT	ABCDEF G abcdefg 0123456789 &?!\$.€
TimesNewRomanPS-BoldMT	ABCDEF G abcdefg 0123456789 &?!\$.€
TimesNewRomanPS-ItalicMT	ABCDEF G abcdefg 0123456789 &?!\$.€
TimesNewRomanPSMT	ABCDEF G abcdefg 0123456789 &?!\$.€
Univers	ABCDEF G abcdefg 0123456789 &?!\$.€
Univers-Bold	ABCDEF G abcdefg 0123456789 &?!\$.€
Univers-BoldExt	ABCDEF G abcdefg 0123456789 &?!\$.€
Univers-BoldExtObl	ABCDEF G abcdefg 0123456789 &?!\$.€
Univers-BoldOblique	ABCDEF G abcdefg 0123456789 &?!\$.€
Univers-Condensed	ABCDEF G abcdefg 0123456789 &?!\$.€
Univers-CondensedBold	ABCDEF G abcdefg 0123456789 &?!\$.€
Univers-CondensedBoldOblique	ABCDEF G abcdefg 0123456789 &?!\$.€
Univers-CondensedOblique	ABCDEF G abcdefg 0123456789 &?!\$.€
Univers-Extended	ABCDEF G abcdefg 0123456789 &?!\$.€
Univers-ExtendedObl	ABCDEF G abcdefg 0123456789 &?!\$.€
Univers-Light	ABCDEF G abcdefg 0123456789 &?!\$.€
Univers-LightOblique	ABCDEF G abcdefg 0123456789 &?!\$.€
Univers-Oblique	ABCDEF G abcdefg 0123456789 &?!\$.€
Wingdings	ჴჵჶჷჸჹ ჳჴჵჶჷჸჹ ☐☐☐☐☐☐☐☐ ☐☐☐☐☐☐☐☐ ☐☐☐☐☐☐☐☐ ☐☐☐☐☐☐☐☐
Wingdings-Regular	ჴჵჶჷჸჹ ჳჴჵჶჷჸჹ ☐☐☐☐☐☐☐☐ ☐☐☐☐☐☐☐☐ ☐☐☐☐☐☐☐☐ ☐☐☐☐☐☐☐☐
ZapfChancery-MediumItalic	ABCDEF G abcdefg 0123456789 &?!\$.€
ZapfDingbats	☐+☐+☐+☐+☐+ ☐☐☐☐☐☐☐☐ ☐☐☐☐☐☐☐☐ ☐☐☐☐☐☐☐☐ ☐☐☐☐☐☐☐☐



# Elenco font PostScript

## Font interni:

AlbertusMT	ABCDEF abcdefg 0123456789 &?!.€
AlbertusMT-Italic	ABCDEF abcdefg 0123456789 &?!.€
AlbertusMT-Light	ABCDEF abcdefg 0123456789 &?!.€
AntiqueOlive-Bold	ABCDEF abcdefg 0123456789 &?!.€
AntiqueOlive-Compact	<b>ABCDEF abcdefg 0123456789 &amp;?!.€</b>
AntiqueOlive-Italic	ABCDEF abcdefg 0123456789 &?!.€
AntiqueOlive-Roman	ABCDEF abcdefg 0123456789 &?!.€
Apple-Chancery	ABCDEF abcdefg 0123456789 &?!.€
Arial-BoldItalicMT	ABCDEF abcdefg 0123456789 &?!.€
Arial-BoldMT	ABCDEF abcdefg 0123456789 &?!.€
Arial-ItalicMT	ABCDEF abcdefg 0123456789 &?!.€
ArialMT	ABCDEF abcdefg 0123456789 &?!.€
AvantGarde-Book	ABCDEF abcdefg 0123456789 &?!.€
AvantGarde-BookOblique	ABCDEF abcdefg 0123456789 &?!.€
AvantGarde-Demi	ABCDEF abcdefg 0123456789 &?!.€
AvantGarde-DemiOblique	<b>ABCDEF abcdefg 0123456789 &amp;?!.€</b>
Bodoni	ABCDEF abcdefg 0123456789 &?!.€
Bodoni-Bold	ABCDEF abcdefg 0123456789 &?!.€
Bodoni-BoldItalic	ABCDEF abcdefg 0123456789 &?!.€
Bodoni-Italic	ABCDEF abcdefg 0123456789 &?!.€
Bodoni-Poster	<b>ABCDEF abcdefg 0123456789 &amp;?!.€</b>
Bodoni-PosterCompressed	ABCDEF abcdefg 0123456789 &?!.€
Bookman-Demi	<b>ABCDEF abcdefg 0123456789 &amp;?!.€</b>
Bookman-DemiItalic	ABCDEF abcdefg 0123456789 &?!.€
Bookman-Light	ABCDEF abcdefg 0123456789 &?!.€
Bookman-LightItalic	ABCDEF abcdefg 0123456789 &?!.€
Carta	ABCDEF abcdefg 0123456789 &?!.€
Chicago	ABCDEF abcdefg 0123456789 &?!.€
Clarendon	ABCDEF abcdefg 0123456789 &?!.€
Clarendon-Bold	ABCDEF abcdefg 0123456789 &?!.€
Clarendon-Light	ABCDEF abcdefg 0123456789 &?!.€
CooperBlack	<b>ABCDEF abcdefg 0123456789 &amp;?!.€</b>
CooperBlack-Italic	<b>ABCDEF abcdefg 0123456789 &amp;?!.€</b>
Copperplate-ThirtyThreeBC	ABCDEF abcdefg 0123456789 &?!.€
Copperplate-ThirtyTwoBC	ABCDEF abcdefg 0123456789 &?!.€
Coronet-Regular	ABCDEF abcdefg 0123456789 &?!.€
Courier	ABCDEF abcdefg 0123456789 &?!.€
Courier-Bold	ABCDEF abcdefg 0123456789 &?!.€
Courier-BoldOblique	ABCDEF abcdefg 0123456789 &?!.€
Courier-Oblique	ABCDEF abcdefg 0123456789 &?!.€
Eurostile	ABCDEF abcdefg 0123456789 &?!.€
Eurostile-Bold	<b>ABCDEF abcdefg 0123456789 &amp;?!.€</b>
Eurostile-BoldExtendedTwo	<b>ABCDEF abcdefg 0123456789 &amp;?!.€</b>
Eurostile-ExtendedTwo	ABCDEF abcdefg 0123456789 &?!.€
Geneva	ABCDEF abcdefg 0123456789 &?!.€
GillSans	ABCDEF abcdefg 0123456789 &?!.€
GillSans-Bold	<b>ABCDEF abcdefg 0123456789 &amp;?!.€</b>
GillSans-BoldCondensed	ABCDEF abcdefg 0123456789 &?!.€
GillSans-BoldItalic	ABCDEF abcdefg 0123456789 &?!.€
GillSans-Condensed	ABCDEF abcdefg 0123456789 &?!.€
GillSans-ExtraBold	<b>ABCDEF abcdefg 0123456789 &amp;?!.€</b>
GillSans-Italic	ABCDEF abcdefg 0123456789 &?!.€
GillSans-Light	ABCDEF abcdefg 0123456789 &?!.€
GillSans-LightItalic	ABCDEF abcdefg 0123456789 &?!.€
Goudy	ABCDEF abcdefg 0123456789 &?!.€
Goudy-Bold	ABCDEF abcdefg 0123456789 &?!.€
Goudy-BoldItalic	ABCDEF abcdefg 0123456789 &?!.€
Goudy-ExtraBold	ABCDEF abcdefg 0123456789 &?!.€
Goudy-Italic	ABCDEF abcdefg 0123456789 &?!.€
GreekMono737	ABCDEF abcdefg 0123456789 &?!.€
GreekMono737-Bold	<b>ABCDEF abcdefg 0123456789 &amp;?!.€</b>
GreekMono737-BoldItalic	<b>ABCDEF abcdefg 0123456789 &amp;?!.€</b>
GreekMono737-Italic	ABCDEF abcdefg 0123456789 &?!.€
GreekMono851	ABCDEF abcdefg 0123456789 &?!.€
GreekMono851-Bold	<b>ABCDEF abcdefg 0123456789 &amp;?!.€</b>
GreekMono851-BoldItalic	<b>ABCDEF abcdefg 0123456789 &amp;?!.€</b>
GreekMono851-Italic	ABCDEF abcdefg 0123456789 &?!.€
GreekMono8859-7	ABCDEF abcdefg 0123456789 &?!.€
GreekMono8859-7Bold	<b>ABCDEF abcdefg 0123456789 &amp;?!.€</b>

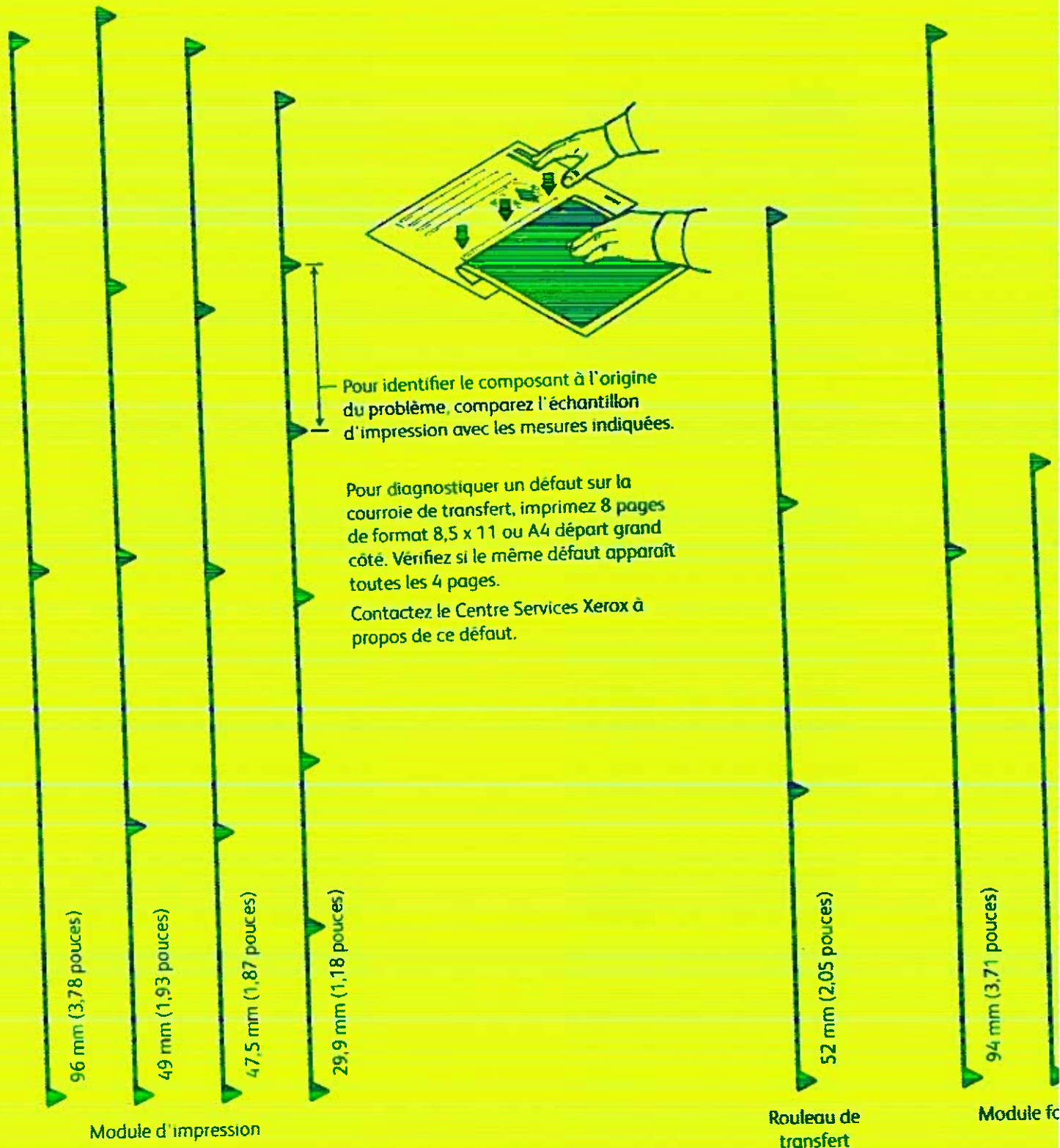
# Elenco font PostScript

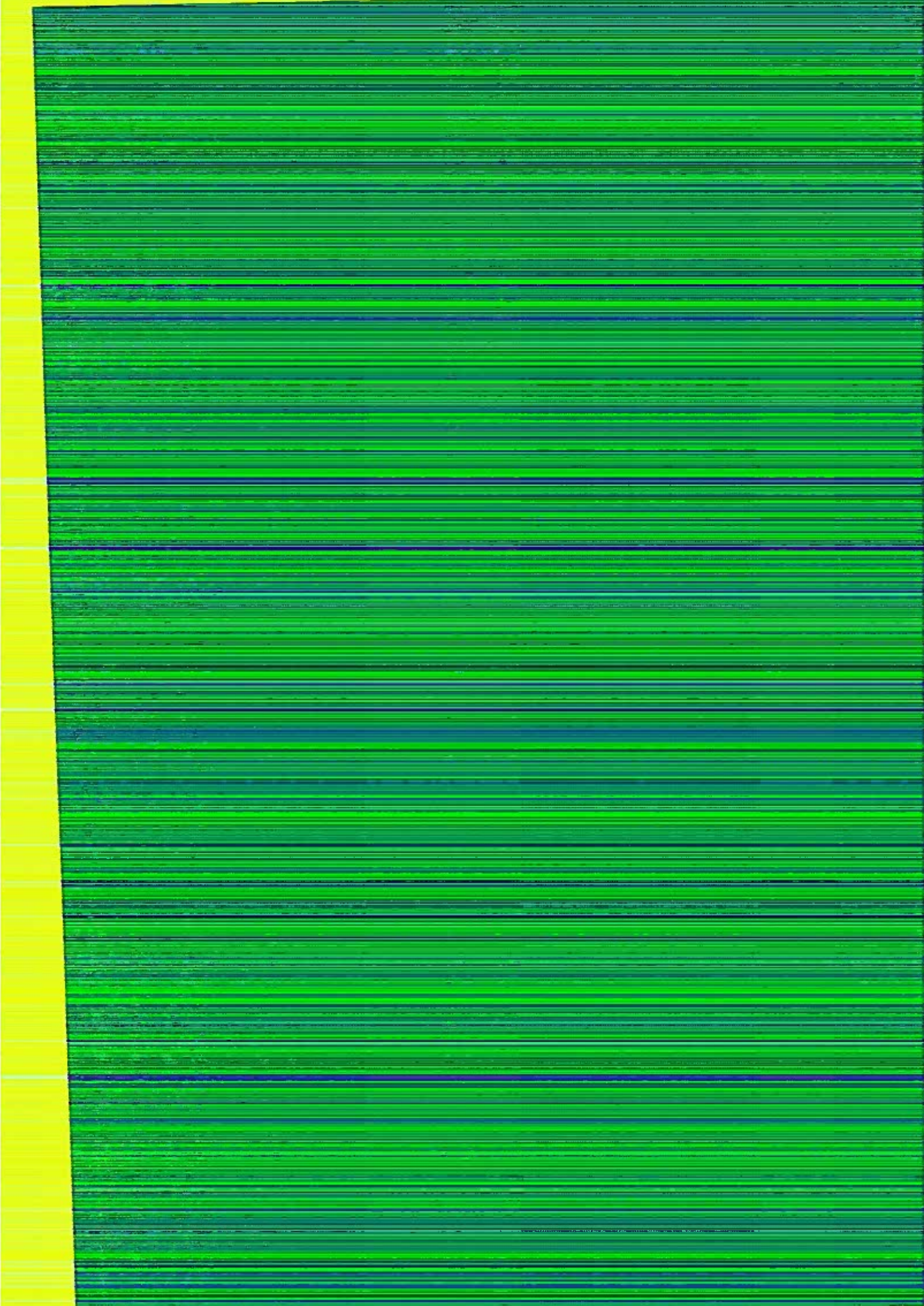
## Font interni (continua):

GreekMono8859-7BoldItalic	<b>ABCDEF abcdefg 0123456789 &amp;?!\$.,</b>
GreekMono8859-7Italic	<i>ABCDEF abcdefg 0123456789 &amp;?!\$.,</i>
GreekSans737	<b>ABCDEF abcdefg 0123456789 &amp;?!\$.,</b>
GreekSans737-Bold	<b>ABCDEF abcdefg 0123456789 &amp;?!\$.,</b>
GreekSans737-BoldItalic	<b>ABCDEF abcdefg 0123456789 &amp;?!\$.,</b>
GreekSans737-Italic	<i>ABCDEF abcdefg 0123456789 &amp;?!\$.,</i>
GreekSans851	<b>ABCDEF abcdefg 0123456789 &amp;?!\$.,</b>
GreekSans851-Bold	<b>ABCDEF abcdefg 0123456789 &amp;?!\$.,</b>
GreekSans851-BoldItalic	<b>ABCDEF abcdefg 0123456789 &amp;?!\$.,</b>
GreekSans851-Italic	<i>ABCDEF abcdefg 0123456789 &amp;?!\$.,</i>
GreekSans8859-7	<b>ABCDEF abcdefg 0123456789 &amp;?!\$.,</b>
GreekSans8859-7Bold	<b>ABCDEF abcdefg 0123456789 &amp;?!\$.,</b>
GreekSans8859-7BoldItalic	<b>ABCDEF abcdefg 0123456789 &amp;?!\$.,</b>
GreekSans8859-7Italic	<i>ABCDEF abcdefg 0123456789 &amp;?!\$.,</i>
GreekSerif737	<b>ABCDEF abcdefg 0123456789 &amp;?!\$.,</b>
GreekSerif737-Bold	<b>ABCDEF abcdefg 0123456789 &amp;?!\$.,</b>
GreekSerif737-BoldItalic	<b>ABCDEF abcdefg 0123456789 &amp;?!\$.,</b>
GreekSerif737-Italic	<i>ABCDEF abcdefg 0123456789 &amp;?!\$.,</i>
GreekSerif851	<b>ABCDEF abcdefg 0123456789 &amp;?!\$.,</b>
GreekSerif851-Bold	<b>ABCDEF abcdefg 0123456789 &amp;?!\$.,</b>
GreekSerif851-BoldItalic	<b>ABCDEF abcdefg 0123456789 &amp;?!\$.,</b>
GreekSerif851-Italic	<i>ABCDEF abcdefg 0123456789 &amp;?!\$.,</i>
GreekSerif8859-7	<b>ABCDEF abcdefg 0123456789 &amp;?!\$.,</b>
GreekSerif8859-7Bold	<b>ABCDEF abcdefg 0123456789 &amp;?!\$.,</b>
GreekSerif8859-7BoldItalic	<b>ABCDEF abcdefg 0123456789 &amp;?!\$.,</b>
GreekSerif8859-7Italic	<i>ABCDEF abcdefg 0123456789 &amp;?!\$.,</i>
Helvetica	<b>ABCDEF abcdefg 0123456789 &amp;?!\$.,€</b>
Helvetica-Bold	<b>ABCDEF abcdefg 0123456789 &amp;?!\$.,€</b>
Helvetica-BoldOblique	<b>ABCDEF abcdefg 0123456789 &amp;?!\$.,€</b>
Helvetica-Condensed	<b>ABCDEF abcdefg 0123456789 &amp;?!\$.,€</b>
Helvetica-Condensed-Bold	<b>ABCDEF abcdefg 0123456789 &amp;?!\$.,€</b>
Helvetica-Condensed-BoldObli	<b>ABCDEF abcdefg 0123456789 &amp;?!\$.,€</b>
Helvetica-Condensed-Oblique	<b>ABCDEF abcdefg 0123456789 &amp;?!\$.,€</b>
Helvetica-Narrow	<b>ABCDEF abcdefg 0123456789 &amp;?!\$.,€</b>
Helvetica-Narrow-Bold	<b>ABCDEF abcdefg 0123456789 &amp;?!\$.,€</b>
Helvetica-Narrow-BoldOblique	<b>ABCDEF abcdefg 0123456789 &amp;?!\$.,€</b>
Helvetica-Narrow-Oblique	<b>ABCDEF abcdefg 0123456789 &amp;?!\$.,€</b>
Helvetica-Oblique	<b>ABCDEF abcdefg 0123456789 &amp;?!\$.,€</b>
HoeflerText-Black	<b>ABCDEF abcdefg 0123456789 &amp;?!\$.,€</b>
HoeflerText-BlackItalic	<b>ABCDEF abcdefg 0123456789 &amp;?!\$.,€</b>
HoeflerText-Italic	<b>ABCDEF abcdefg 0123456789 &amp;?!\$.,€</b>
HoeflerText-Ornaments	
HoeflerText-Regular	<b>ABCDEF abcdefg 0123456789 &amp;?!\$.,€</b>
JoannaMT	<b>ABCDEF abcdefg 0123456789 &amp;?!\$.,€</b>
JoannaMT-Bold	<b>ABCDEF abcdefg 0123456789 &amp;?!\$.,€</b>
JoannaMT-BoldItalic	<b>ABCDEF abcdefg 0123456789 &amp;?!\$.,€</b>
JoannaMT-Italic	<b>ABCDEF abcdefg 0123456789 &amp;?!\$.,€</b>
LetterGothic	<b>ABCDEF abcdefg 0123456789 &amp;?!\$.,€</b>
LetterGothic-Bold	<b>ABCDEF abcdefg 0123456789 &amp;?!\$.,€</b>
LetterGothic-BoldSlanted	<b>ABCDEF abcdefg 0123456789 &amp;?!\$.,€</b>
LetterGothic-Slanted	<b>ABCDEF abcdefg 0123456789 &amp;?!\$.,€</b>
LubalinGraph-Book	<b>ABCDEF abcdefg 0123456789 &amp;?!\$.,€</b>
LubalinGraph-BookOblique	<b>ABCDEF abcdefg 0123456789 &amp;?!\$.,€</b>
LubalinGraph-Demi	<b>ABCDEF abcdefg 0123456789 &amp;?!\$.,€</b>
LubalinGraph-DemiOblique	<b>ABCDEF abcdefg 0123456789 &amp;?!\$.,€</b>
Marigold	<b>ABCDEF abcdefg 0123456789 &amp;?!\$.,€</b>
MonaLisa-Recut	<b>ABCDEF abcdefg 0123456789 &amp;?!\$.,€</b>
Monaco	<b>ABCDEF abcdefg 0123456789 &amp;?!\$.,€</b>
NewCenturySchlbk-Bold	<b>ABCDEF abcdefg 0123456789 &amp;?!\$.,€</b>
NewCenturySchlbk-BoldItalic	<b>ABCDEF abcdefg 0123456789 &amp;?!\$.,€</b>
NewCenturySchlbk-Italic	<b>ABCDEF abcdefg 0123456789 &amp;?!\$.,€</b>
NewCenturySchlbk-Roman	<b>ABCDEF abcdefg 0123456789 &amp;?!\$.,€</b>
NewYork	<b>ABCDEF abcdefg 0123456789 &amp;?!\$.,€</b>
Optima	<b>ABCDEF abcdefg 0123456789 &amp;?!\$.,€</b>
Optima-Bold	<b>ABCDEF abcdefg 0123456789 &amp;?!\$.,€</b>
Optima-BoldItalic	<b>ABCDEF abcdefg 0123456789 &amp;?!\$.,€</b>
Optima-Italic	<b>ABCDEF abcdefg 0123456789 &amp;?!\$.,€</b>
Oxford	<b>ABCDEF abcdefg 0123456789 &amp;?!\$.,€</b>
Palatino-Bold	<b>ABCDEF abcdefg 0123456789 &amp;?!\$.,€</b>



## Défauts récurrents







# Xerox® VersaLink® B620 Printer

Configurable, connected, and highly capable.

The VersaLink® B620 Printer gives you the freedom to work where and how you want. Loaded with features designed to increase productivity, this highly configurable, cloud-connected workplace assistant delivers completely new capabilities that go far beyond the competition. You can count on the B620 to make your business more efficient.



## PRINT. CLOUD.

-  65 ppm Letter  
61 ppm A4
-  Solutions
-  Cloud connectivity
-  1200 x 1200 dpi
-  Up to 3,850 pages
-  Optional: 3 additional paper trays

## Panneau de commande

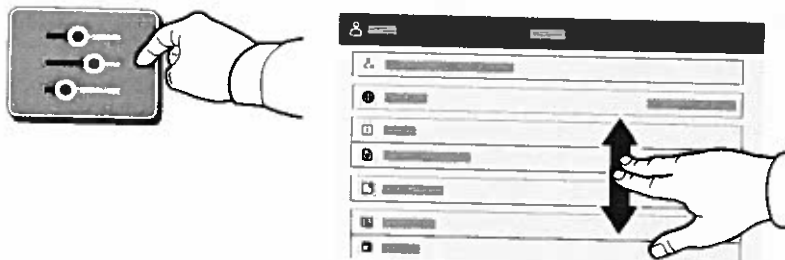
Les applications disponibles peuvent varier en fonction de la configuration de l'imprimante. Pour de plus amples informations sur les applications et fonctionnalités, reportez-vous au *Guide de l'utilisateur*.



- 1 Page d'accueil pour revenir sur l'écran principal des applications.
- 2 Sous tension/Réveil démarre l'imprimante ou permet de mettre en veille, de redémarrer ou de mettre hors tension l'imprimante.
- 3 Réinitialiser rétablit les valeurs par défaut des paramètres de toutes les applications.
- 4 Langue permet de choisir la langue de l'écran.
- 5 Connexion donne un accès spécial aux outils et aux paramètres.
- 6 Application du périphérique donne accès aux paramètres et informations de l'imprimante.
- 7 La Bannière de notifications affiche l'état de l'imprimante et les avertissements. Pour afficher toutes les notifications, touchez la bannière. Pour fermer la bannière, cliquez sur la flèche vers le bas.
- 8 Le Voyant d'état indique l'état de l'imprimante. Pour plus d'informations, consultez le *Guide de l'utilisateur*.
- 9 Zone NFC permet de coupler un appareil mobile pour imprimer à partir d'une application.

## Application périphérique

L'application du périphérique donne accès à l'état des consommables, ainsi qu'aux paramètres et informations de l'imprimante. Pour accéder à certains menus et paramètres, vous devez vous connecter en utilisant le nom et le mot de passe de l'administrateur.



## Informations de facturation et d'utilisation

Dans le menu des fonctions du périphérique, pour afficher les compteurs d'impression de base, appuyez sur **Facturation/Utilisation**. Pour afficher des compteurs d'utilisation détaillés, appuyez sur **Compteurs d'utilisation**. La liste qui s'affiche propose plusieurs catégories de compteur d'impression.

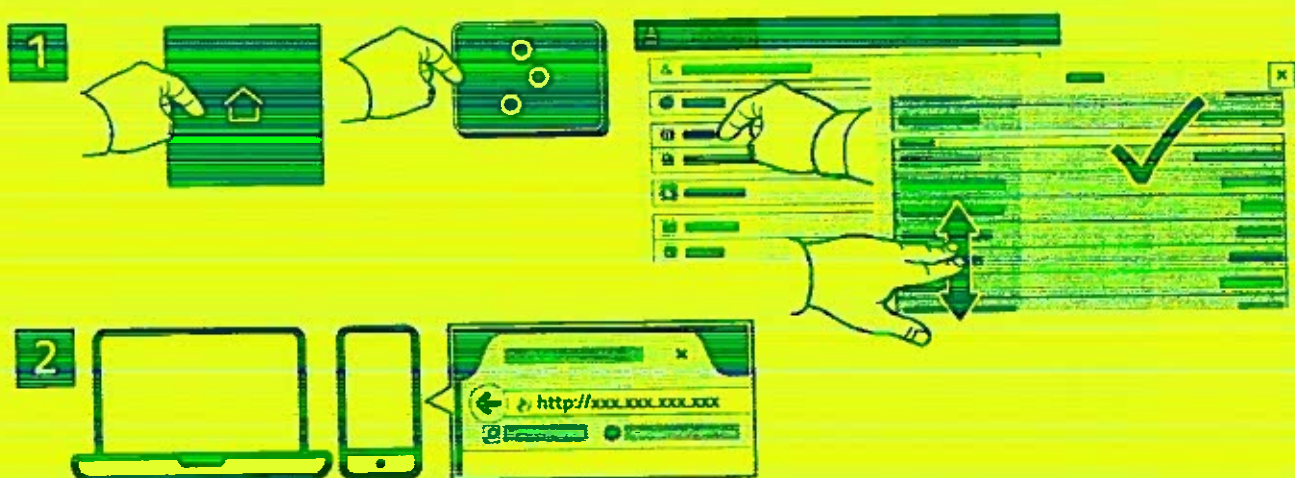


## Serveur Web intégré

Le serveur Web intégré Xerox® vous permet d'obtenir les détails de configuration de l'imprimante, l'état du papier, des consommables, et des travaux, ainsi que des fonctions de diagnostic sur un réseau.

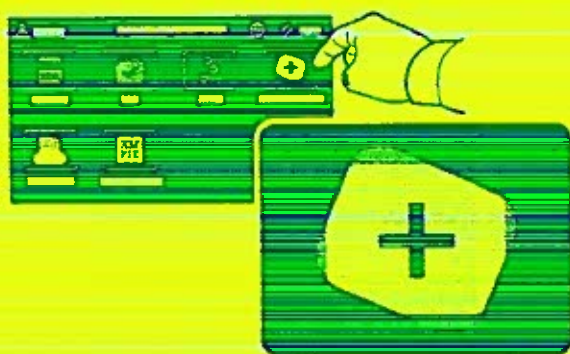
Pour vous connecter, saisissez l'adresse IP de l'imprimante dans un navigateur Web. L'adresse IPv4 du réseau est disponible sur l'écran tactile du panneau de commande. Sélectionnez **Application** du périphérique > **À propos de**, puis faites défiler vers le bas.

Pour de plus amples informations sur l'utilisation du serveur Web intégré, reportez-vous au *Guide de l'utilisateur* disponible sur le site Xerox.com.



## App Gallery

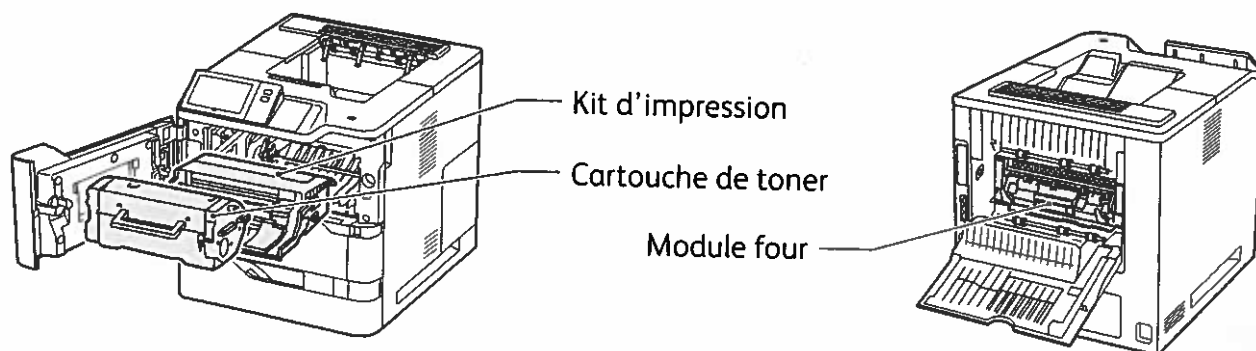
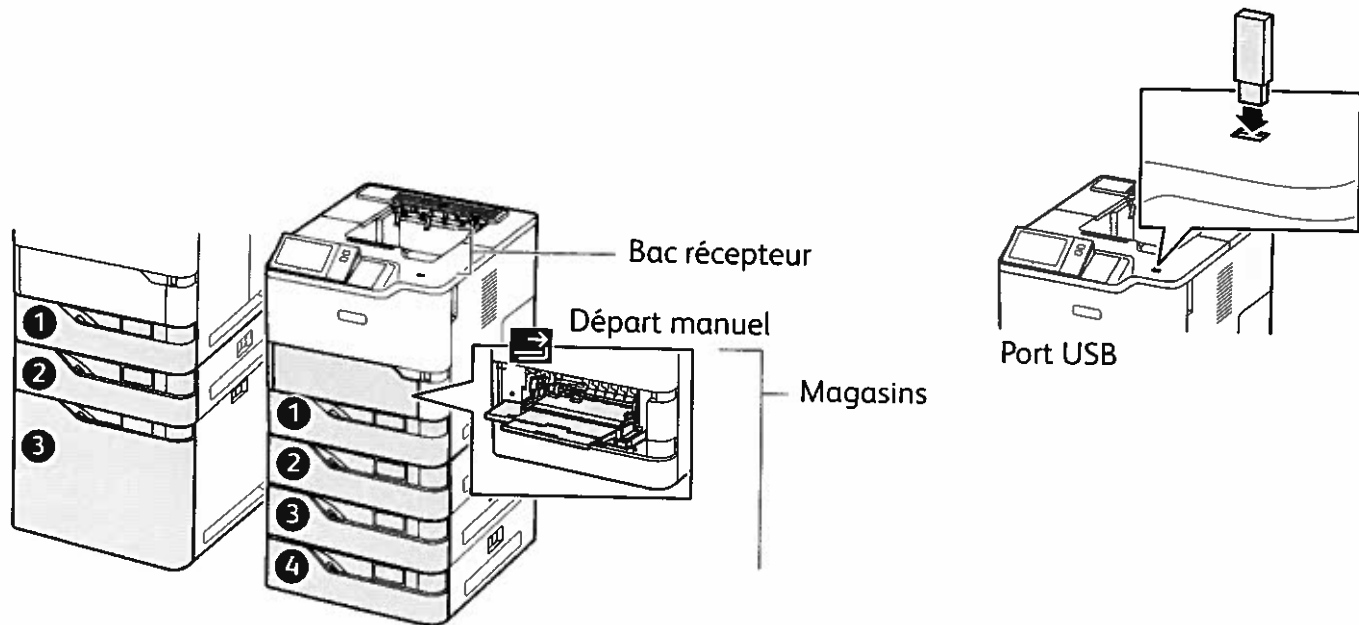
Xerox App Gallery comprend une collection croissante d'applications de productivité que vous pouvez installer sur votre imprimante. Recherchez l'appli sur votre écran d'accueil et créez directement votre connexion ou accédez à [www.xerox.com/appgallery](http://www.xerox.com/appgallery) pour vous connecter et ajouter votre périphérique. Pour simplifier l'installation des applis, utilisez votre nom de connexion à l'imprimante dans vos informations de connexion à la galerie d'applis.



[www.xerox.com/appgallery](http://www.xerox.com/appgallery)

# Présentation de l'imprimante

Votre imprimante peut être configurée avec des accessoires en option. Pour plus d'informations, consultez le *Guide de l'utilisateur*.



## Gestion du papier

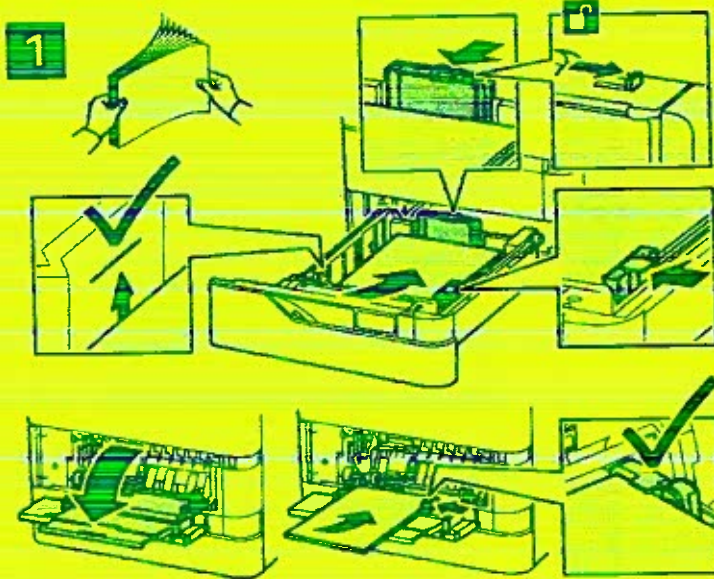
Pour obtenir la liste complète des supports pris en charge par l'imprimante, reportez-vous à la Recommended Media List (Liste des supports recommandés) sur le site :

[www.xerox.com/rmlna](http://www.xerox.com/rmlna) (États-Unis et Canada)

[www.xerox.com/rmleu](http://www.xerox.com/rmleu) (Europe)

Pour de plus amples informations sur les magasins et le papier, reportez-vous au *Guide de l'utilisateur*.

## Chargement du papier



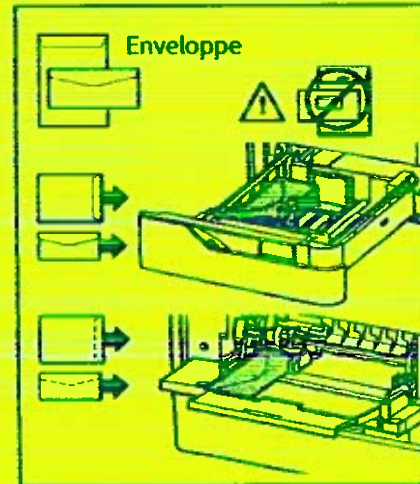
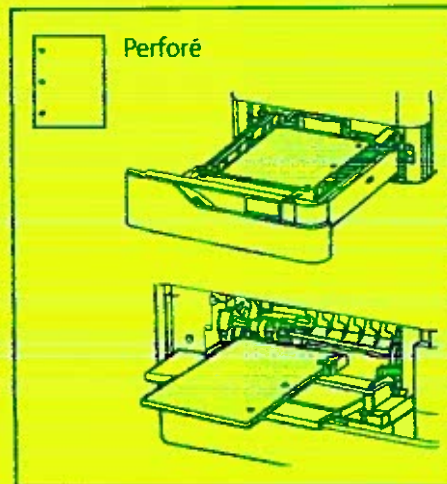
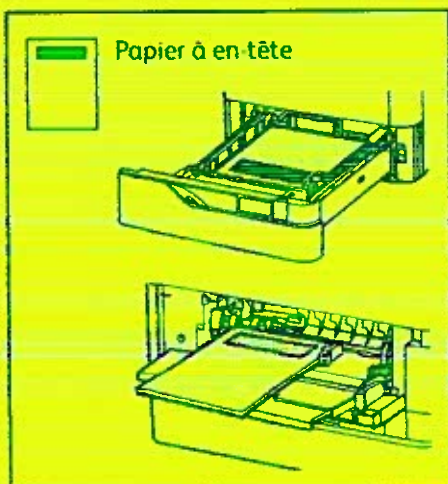
Confirmez ou changez les paramètres de format de type de papier si nécessaire.



Pour obtenir les meilleurs résultats, ventilez les bords du papier. Réglez les guides en fonction du format de papier. Veillez à ce que la pile ne dépasse pas la ligne de remplissage maximum.

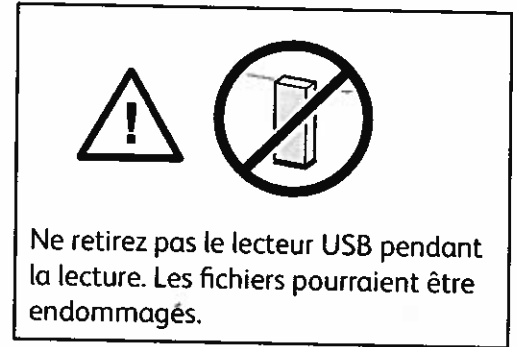
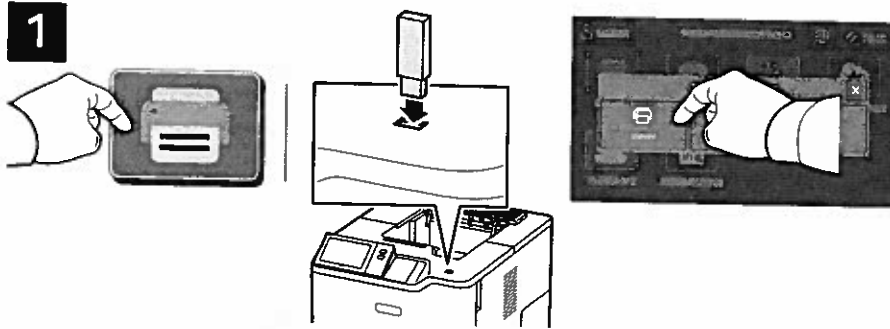
Lors de l'impression, sélectionnez les options requises dans le pilote d'imprimante.

## Orientation du papier

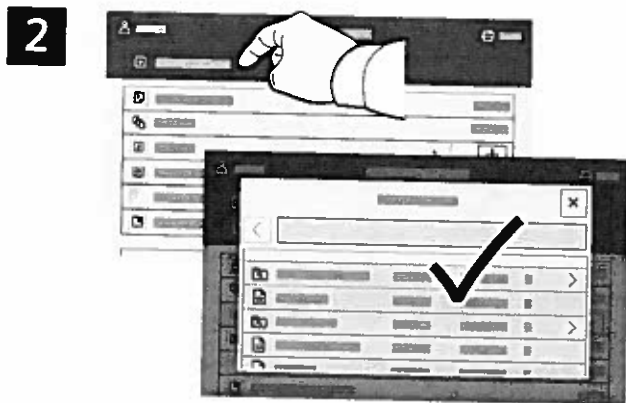


# Impression depuis un lecteur USB

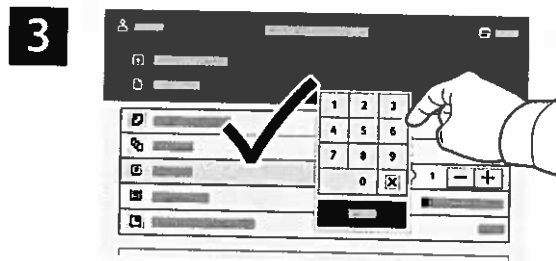
Vous pouvez imprimer des fichiers .pdf, .tiff, .ps, .xps et autres types de fichier directement depuis un lecteur USB. Pour plus d'informations, consultez le *Guide de l'utilisateur*.



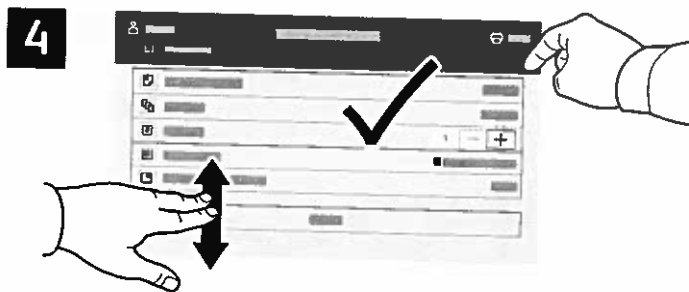
Sélectionnez **Imprimer depuis** ou insérez une clé USB, puis sélectionnez **Imprimer depuis USB**.



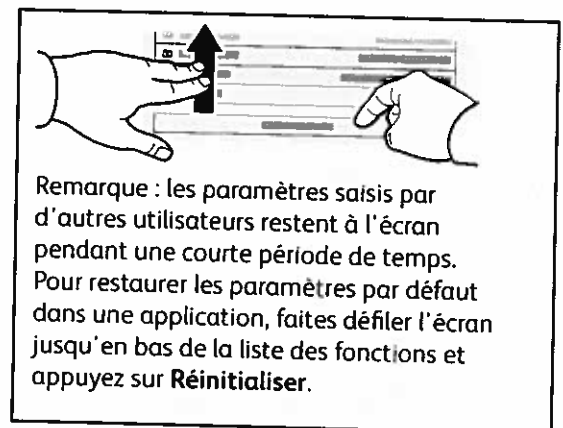
Sélectionnez **Ajouter document**, puis accédez à vos fichiers pour les sélectionner.



Pour sélectionner le nombre de copies, appuyez sur le signe plus (+) ou le signe moins (-). Pour un nombre important, sélectionnez **Quantité**, puis saisissez un nombre.



Effectuez les modifications requises, puis appuyez sur **Imprimer**.



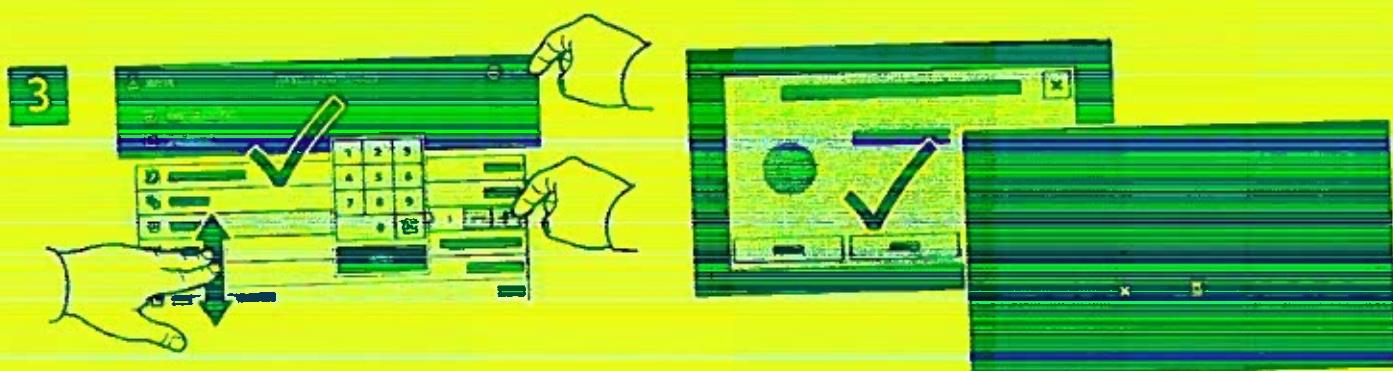
## Impression de travaux stockés sur l'imprimante



Vous pouvez enregistrer un travail d'impression sur l'imprimante, puis le sélectionner à partir du panneau de commande pour l'imprimer plus tard. Vous pouvez enregistrer les travaux dans le dossier public ou les protéger à l'aide d'un mot de passe. Dans le pilote d'imprimante Xerox®, sélectionnez **Propriétés** (Windows) ou **Fonctionnalités Xerox** (Mac OS), puis **Type de travail**. Sélectionnez **Travail enregistré** ou **Impression protégée**. Saisissez un code d'accès pour l'impression protégée. Cliquez sur **OK** et imprimez le travail.



Appuyez sur **Imprimer** depuis, puis sur **Travaux mémorisés**. Sélectionnez le **Dossier public** par défaut, puis sélectionnez votre travail d'impression.



Sélectionnez les paramètres dans la liste. Pour sélectionner le nombre de copies, appuyez sur le signe plus (+) ou le signe moins (-). Pour un nombre important, sélectionnez **Quantité**, puis saisissez un nombre. Appuyez sur **Imprimer**. Pour supprimer le travail, sur l'écran d'impression et l'écran de confirmation, appuyez sur **Supprimer**.

# Liste des polices PostScript

## Polices résidentes:

AlbertusMT	ABCDEFG abcdefg 0123456789 &?!\$,€
AlbertusMT-Italic	ABCDEFG abcdefg 0123456789 &?!\$,€
AlbertusMT-Light	ABCDEFG abcdefg 0123456789 &?!\$,€
AntiqueOlive-Bold	ABCDEFG abcdefg 0123456789 &?!\$,€
AntiqueOlive-Compact	ABCDEFG abcdefg 0123456789 &?!\$,€
AntiqueOlive-Italic	ABCDEFG abcdefg 0123456789 &?!\$,€
AntiqueOlive-Roman	ABCDEFG abcdefg 0123456789 &?!\$,€
Apple-Chancery	ABCDEFG abcdefg 0123456789 &?!\$,€
Arial-BoldItalicMT	ABCDEFG abcdefg 0123456789 &?!\$,€
Arial-BoldMT	ABCDEFG abcdefg 0123456789 &?!\$,€
Arial-ItalicMT	ABCDEFG abcdefg 0123456789 &?!\$,€
ArialMT	ABCDEFG abcdefg 0123456789 &?!\$,€
AvantGarde-Book	ABCDEFG abcdefg 0123456789 &?!\$,€
AvantGarde-BookOblique	ABCDEFG abcdefg 0123456789 &?!\$,€
AvantGarde-Demi	ABCDEFG abcdefg 0123456789 &?!\$,€
AvantGarde-DemiOblique	ABCDEFG abcdefg 0123456789 &?!\$,€
Bodoni	ABCDEFG abcdefg 0123456789 &?!\$,€
Bodoni-Bold	ABCDEFG abcdefg 0123456789 &?!\$,€
Bodoni-BoldItalic	ABCDEFG abcdefg 0123456789 &?!\$,€
Bodoni-Italic	ABCDEFG abcdefg 0123456789 &?!\$,€
Bodoni-Poster	ABCDEFG abcdefg 0123456789 &?!\$,€
Bodoni-PosterCompressed	ABCDEFG abcdefg 0123456789 &?!\$,€
Bookman-Demi	ABCDEFG abcdefg 0123456789 &?!\$,€
Bookman-DemiItalic	ABCDEFG abcdefg 0123456789 &?!\$,€
Bookman-Light	ABCDEFG abcdefg 0123456789 &?!\$,€
Bookman-LightItalic	ABCDEFG abcdefg 0123456789 &?!\$,€
Carta	ABCDEFG abcdefg 0123456789 &?!\$,€
Chicago	ABCDEFG abcdefg 0123456789 &?!\$,€
Clarendon	ABCDEFG abcdefg 0123456789 &?!\$,€
Clarendon-Bold	ABCDEFG abcdefg 0123456789 &?!\$,€
Clarendon-Light	ABCDEFG abcdefg 0123456789 &?!\$,€
CooperBlack	ABCDEFG abcdefg 0123456789 &?!\$,€
CooperBlack-Italic	ABCDEFG abcdefg 0123456789 &?!\$,€
Copperplate-ThirtyThreeBC	ABCDEFG abcdefg 0123456789 &?!\$,€
Copperplate-ThirtyTwoBC	ABCDEFG abcdefg 0123456789 &?!\$,€
Coronet-Regular	ABCDEFG abcdefg 0123456789 &?!\$,€
Courier	ABCDEFG abcdefg 0123456789 &?!\$,€
Courier-Bold	ABCDEFG abcdefg 0123456789 &?!\$,€
Courier-BoldOblique	ABCDEFG abcdefg 0123456789 &?!\$,€
Courier-Oblique	ABCDEFG abcdefg 0123456789 &?!\$,€
Eurostile	ABCDEFG abcdefg 0123456789 &?!\$,€
Eurostile-Bold	ABCDEFG abcdefg 0123456789 &?!\$,€
Eurostile-BoldExtendedTwo	ABCDEFG abcdefg 0123456789 &?!\$,€
Eurostile-ExtendedTwo	ABCDEFG abcdefg 0123456789 &?!\$,€
Geneva	ABCDEFG abcdefg 0123456789 &?!\$,€
GillSans	ABCDEFG abcdefg 0123456789 &?!\$,€
GillSans-Bold	ABCDEFG abcdefg 0123456789 &?!\$,€
GillSans-BoldCondensed	ABCDEFG abcdefg 0123456789 &?!\$,€
GillSans-BoldItalic	ABCDEFG abcdefg 0123456789 &?!\$,€
GillSans-Condensed	ABCDEFG abcdefg 0123456789 &?!\$,€
GillSans-ExtraBold	ABCDEFG abcdefg 0123456789 &?!\$,€
GillSans-Italic	ABCDEFG abcdefg 0123456789 &?!\$,€
GillSans-Light	ABCDEFG abcdefg 0123456789 &?!\$,€
GillSans-LightItalic	ABCDEFG abcdefg 0123456789 &?!\$,€
Goudy	ABCDEFG abcdefg 0123456789 &?!\$,€
Goudy-Bold	ABCDEFG abcdefg 0123456789 &?!\$,€
Goudy-BoldItalic	ABCDEFG abcdefg 0123456789 &?!\$,€
Goudy-ExtraBold	ABCDEFG abcdefg 0123456789 &?!\$,€
Goudy-Italic	ABCDEFG abcdefg 0123456789 &?!\$,€
GreekMono737	ABCDEFG abcdefg 0123456789 &?!\$,€
GreekMono737-Bold	ABCDEFG abcdefg 0123456789 &?!\$,€
GreekMono737-BoldItalic	ABCDEFG abcdefg 0123456789 &?!\$,€
GreekMono737-Italic	ABCDEFG abcdefg 0123456789 &?!\$,€
GreekMono851	ABCDEFG abcdefg 0123456789 &?!\$,€
GreekMono851-Bold	ABCDEFG abcdefg 0123456789 &?!\$,€
GreekMono851-BoldItalic	ABCDEFG abcdefg 0123456789 &?!\$,€
GreekMono851-Italic	ABCDEFG abcdefg 0123456789 &?!\$,€
GreekMono8859-7	ABCDEFG abcdefg 0123456789 &?!\$,€
GreekMono8859-7Bold	ABCDEFG abcdefg 0123456789 &?!\$,€

# Liste des polices PostScript

## Polices résidentes (suite):

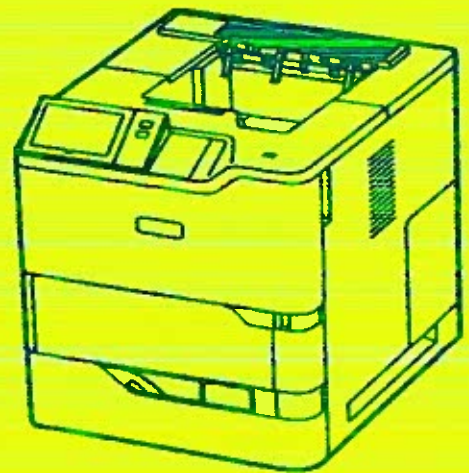
GreekMono8859-7BoldItalic	<i>ABCDEF abcdefg 0123456789 &amp;?!\$.,</i>
GreekMono8859-7Italic	<i>ABCDEF abcdefg 0123456789 &amp;?!\$.,</i>
GreekSans737	<b>ABCDEF abcdefg 0123456789 &amp;?!\$.,</b>
GreekSans737-Bold	<b>ABCDEF abcdefg 0123456789 &amp;?!\$.,</b>
GreekSans737-BoldItalic	<b><i>ABCDEF abcdefg 0123456789 &amp;?!\$.,</i></b>
GreekSans737-Italic	<i>ABCDEF abcdefg 0123456789 &amp;?!\$.,</i>
GreekSans851	<b>ABCDEF abcdefg 0123456789 &amp;?!\$.,</b>
GreekSans851-Bold	<b>ABCDEF abcdefg 0123456789 &amp;?!\$.,</b>
GreekSans851-BoldItalic	<b><i>ABCDEF abcdefg 0123456789 &amp;?!\$.,</i></b>
GreekSans851-Italic	<i>ABCDEF abcdefg 0123456789 &amp;?!\$.,</i>
GreekSans8859-7	<b>ABCDEF abcdefg 0123456789 &amp;?!\$.,</b>
GreekSans8859-7Bold	<b>ABCDEF abcdefg 0123456789 &amp;?!\$.,</b>
GreekSans8859-7BoldItalic	<b><i>ABCDEF abcdefg 0123456789 &amp;?!\$.,</i></b>
GreekSans8859-7Italic	<i>ABCDEF abcdefg 0123456789 &amp;?!\$.,</i>
GreekSerif737	<b>ABCDEF abcdefg 0123456789 &amp;?!\$.,</b>
GreekSerif737-Bold	<b>ABCDEF abcdefg 0123456789 &amp;?!\$.,</b>
GreekSerif737-BoldItalic	<b><i>ABCDEF abcdefg 0123456789 &amp;?!\$.,</i></b>
GreekSerif737-Italic	<i>ABCDEF abcdefg 0123456789 &amp;?!\$.,</i>
GreekSerif851	<b>ABCDEF abcdefg 0123456789 &amp;?!\$.,</b>
GreekSerif851-Bold	<b>ABCDEF abcdefg 0123456789 &amp;?!\$.,</b>
GreekSerif851-BoldItalic	<b><i>ABCDEF abcdefg 0123456789 &amp;?!\$.,</i></b>
GreekSerif851-Italic	<i>ABCDEF abcdefg 0123456789 &amp;?!\$.,</i>
GreekSerif8859-7	<b>ABCDEF abcdefg 0123456789 &amp;?!\$.,</b>
GreekSerif8859-7Bold	<b>ABCDEF abcdefg 0123456789 &amp;?!\$.,</b>
GreekSerif8859-7BoldItalic	<b><i>ABCDEF abcdefg 0123456789 &amp;?!\$.,</i></b>
GreekSerif8859-7Italic	<i>ABCDEF abcdefg 0123456789 &amp;?!\$.,</i>
Helvetica	<b>ABCDEF abcdefg 0123456789 &amp;?!\$.,€</b>
Helvetica-Bold	<b>ABCDEF abcdefg 0123456789 &amp;?!\$.,€</b>
Helvetica-BoldOblique	<b><i>ABCDEF abcdefg 0123456789 &amp;?!\$.,€</i></b>
Helvetica-Condensed	<b>ABCDEF abcdefg 0123456789 &amp;?!\$.,€</b>
Helvetica-Condensed-Bold	<b>ABCDEF abcdefg 0123456789 &amp;?!\$.,€</b>
Helvetica-Condensed-BoldOblique	<b><i>ABCDEF abcdefg 0123456789 &amp;?!\$.,€</i></b>
Helvetica-Condensed-Oblique	<i>ABCDEF abcdefg 0123456789 &amp;?!\$.,€</i>
Helvetica-Narrow	<b>ABCDEF abcdefg 0123456789 &amp;?!\$.,€</b>
Helvetica-Narrow-Bold	<b>ABCDEF abcdefg 0123456789 &amp;?!\$.,€</b>
Helvetica-Narrow-BoldOblique	<b><i>ABCDEF abcdefg 0123456789 &amp;?!\$.,€</i></b>
Helvetica-Narrow-Oblique	<i>ABCDEF abcdefg 0123456789 &amp;?!\$.,€</i>
Helvetica-Oblique	<i>ABCDEF abcdefg 0123456789 &amp;?!\$.,€</i>
HoeflerText-Black	<b>ABCDEF abcdefg 0123456789 &amp;?!\$.,€</b>
HoeflerText-BlackItalic	<b><i>ABCDEF abcdefg 0123456789 &amp;?!\$.,€</i></b>
HoeflerText-Italic	<i>ABCDEF abcdefg 0123456789 &amp;?!\$.,€</i>
HoeflerText-Ornaments	<i>ABCDEF abcdefg 0123456789 &amp;?!\$.,€</i>
HoeflerText-Regular	<b>ABCDEF abcdefg 0123456789 &amp;?!\$.,€</b>
JoannaMT	<b>ABCDEF abcdefg 0123456789 &amp;?!\$.,€</b>
JoannaMT-Bold	<b>ABCDEF abcdefg 0123456789 &amp;?!\$.,€</b>
JoannaMT-BoldItalic	<b><i>ABCDEF abcdefg 0123456789 &amp;?!\$.,€</i></b>
JoannaMT-Italic	<i>ABCDEF abcdefg 0123456789 &amp;?!\$.,€</i>
LetterGothic	<b>ABCDEF abcdefg 0123456789 &amp;?!\$.,€</b>
LetterGothic-Bold	<b>ABCDEF abcdefg 0123456789 &amp;?!\$.,€</b>
LetterGothic-BoldSlanted	<b><i>ABCDEF abcdefg 0123456789 &amp;?!\$.,€</i></b>
LetterGothic-Slanted	<i>ABCDEF abcdefg 0123456789 &amp;?!\$.,€</i>
LubalinGraph-Book	<b>ABCDEF abcdefg 0123456789 &amp;?!\$.,€</b>
LubalinGraph-BookOblique	<b><i>ABCDEF abcdefg 0123456789 &amp;?!\$.,€</i></b>
LubalinGraph-Demi	<b>ABCDEF abcdefg 0123456789 &amp;?!\$.,€</b>
LubalinGraph-DemiOblique	<b><i>ABCDEF abcdefg 0123456789 &amp;?!\$.,€</i></b>
Marigold	<i>ABCDEF abcdefg 0123456789 &amp;?!\$.,€</i>
MonaLisa-Recut	<b>ABCDEF abcdefg 0123456789 &amp;?!\$.,€</b>
Monaco	<b>ABCDEF abcdefg 0123456789 &amp;?!\$.,€</b>
NewCenturySchlbk-Bold	<b>ABCDEF abcdefg 0123456789 &amp;?!\$.,€</b>
NewCenturySchlbk-BoldItalic	<b><i>ABCDEF abcdefg 0123456789 &amp;?!\$.,€</i></b>
NewCenturySchlbk-Italic	<i>ABCDEF abcdefg 0123456789 &amp;?!\$.,€</i>
NewCenturySchlbk-Roman	<b>ABCDEF abcdefg 0123456789 &amp;?!\$.,€</b>
NewYork	<b>ABCDEF abcdefg 0123456789 &amp;?!\$.,€</b>
Optima	<b>ABCDEF abcdefg 0123456789 &amp;?!\$.,€</b>
Optima-Bold	<b>ABCDEF abcdefg 0123456789 &amp;?!\$.,€</b>
Optima-BoldItalic	<b><i>ABCDEF abcdefg 0123456789 &amp;?!\$.,€</i></b>
Optima-Italic	<i>ABCDEF abcdefg 0123456789 &amp;?!\$.,€</i>
Oxford	<b>ABCDEF abcdefg 0123456789 &amp;?!\$.,€</b>
Palatino-Bold	<b>ABCDEF abcdefg 0123456789 &amp;?!\$.,€</b>



# Xerox® VersaLink® B620 Printer

Configurable, connected, and highly capable.

The VersaLink® B620 Printer gives you the freedom to work where and how you want. Loaded with features designed to increase productivity, this highly configurable, cloud-connected workplace assistant delivers completely new capabilities that go far beyond the competition. You can count on the B620 to make your business more efficient.



## PRINT. CLOUD.

-  65 ppm Letter  
61 ppm A4
-  Solutions
-  Cloud connectivity
-  1200 x 1200 dpi
-  Up to 3,850 pages
-  Optional: 3 additional paper trays