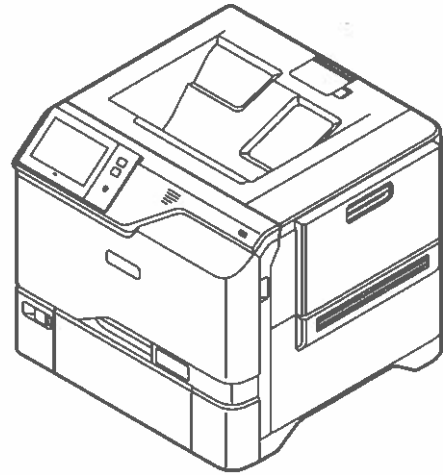


Xerox® VersaLink® C620 Color Printer

Powerful performance. Personalized productivity.

The VersaLink® C620 Color Printer provides exceptional performance and unbeatable reliability. Cloud-connected, mobile-ready, app-enabled, and easy to customize, the C620 is your modern workplace assistant — transforming the way you work today, while ensuring you can keep up with the needs of tomorrow.



PRINT, CLOUD



52 ppm Letter
50 ppm A4



Solutions



Cloud connectivity



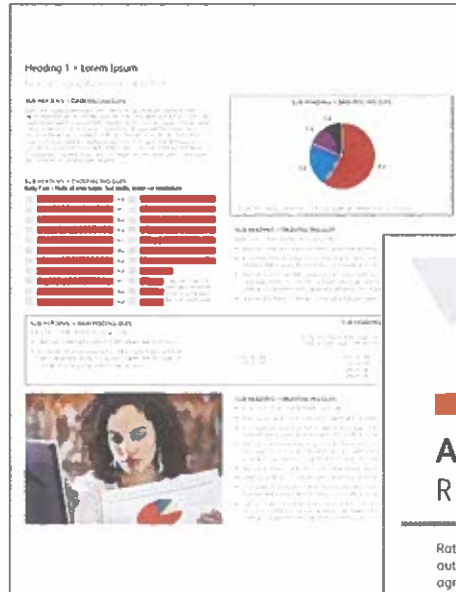
1200 x 1200 dpi



Up to 2,850 pages

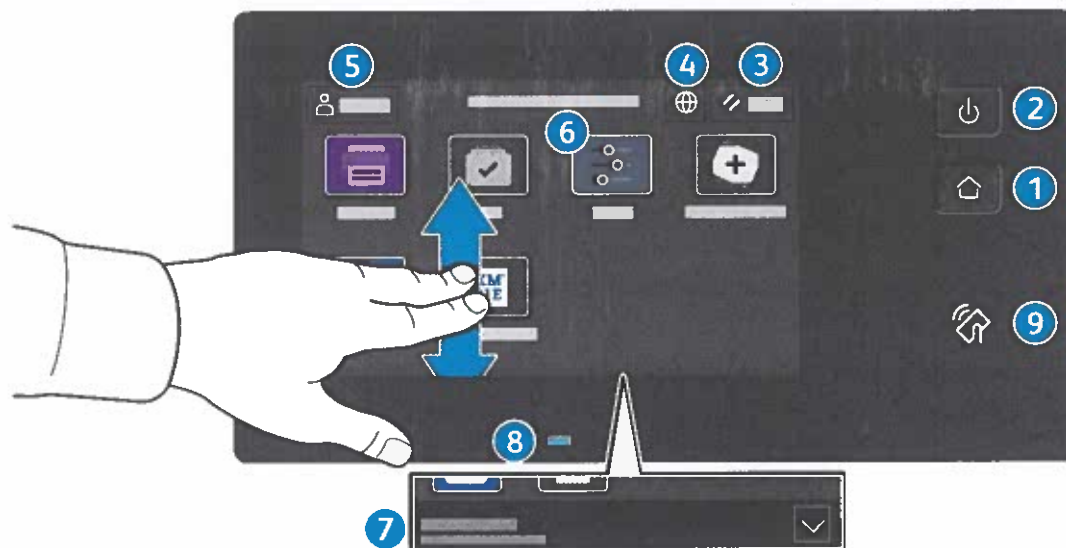


Optional: 4 additional
paper trays



Control Panel

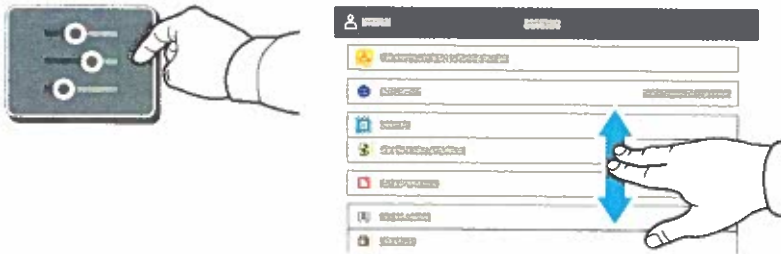
Available apps can vary based on your printer setup. For details about apps and features, refer to the *User Guide*.



- 1 **Home** returns to the main app screen.
- 2 **Power/Wake** starts the printer or provides options to sleep, restart or power off the printer.
- 3 **Reset** restores settings to their default values in all apps.
- 4 **Language** provides choice of screen languages.
- 5 **Log In** provides special access to tools and settings.
- 6 **Device app** provides access to printer information and settings.
- 7 **Notification banner** shows printer status and warnings. To see all notifications, touch the banner. To close the banner, touch the down arrow.
- 8 **Status LED** indicates printer status. For detailed information, refer to the *User Guide*.
- 9 **NFC Area** allows pairing with a mobile device to print from an app.

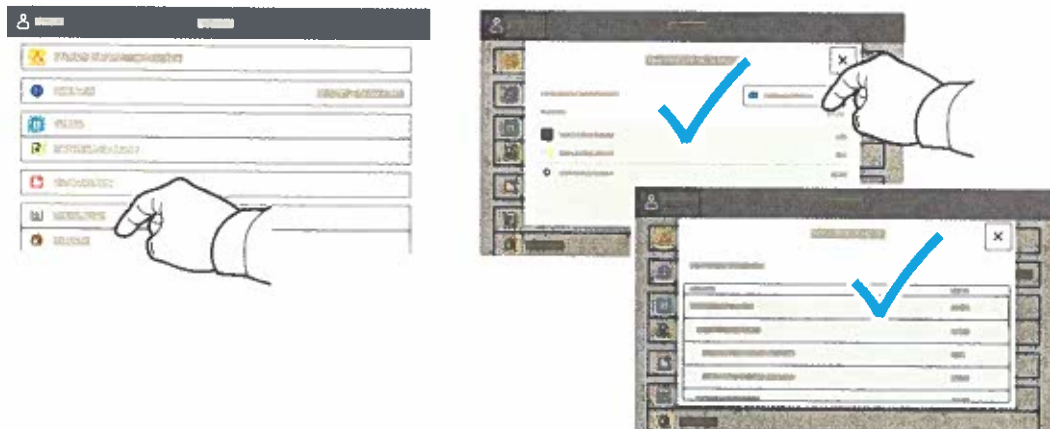
Device app

The Device app provides access to supplies status, printer information, and settings. Some menus and settings require log in with the administrator name and password.



Billing and Usage Information

In the Device features menu, to view basic impression counts, touch **Billing/Usage**. To view detailed usage counts, touch **Usage Counters**. The list provides detailed impression count categories.

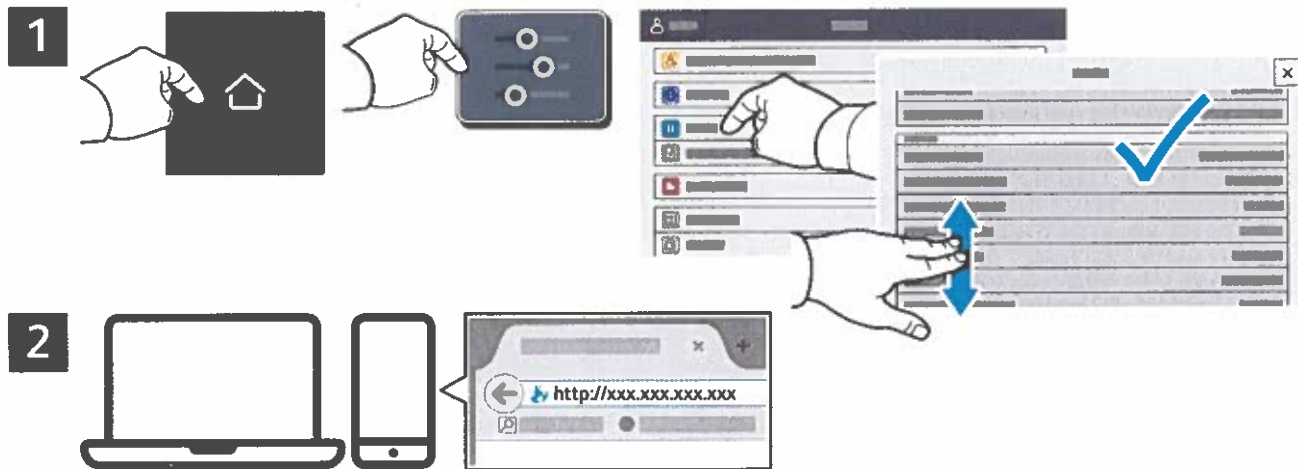


Embedded Web Server

The Xerox® Embedded Web Server enables you to access printer configuration details, paper and supplies status, job status, and diagnostic functions over a network.

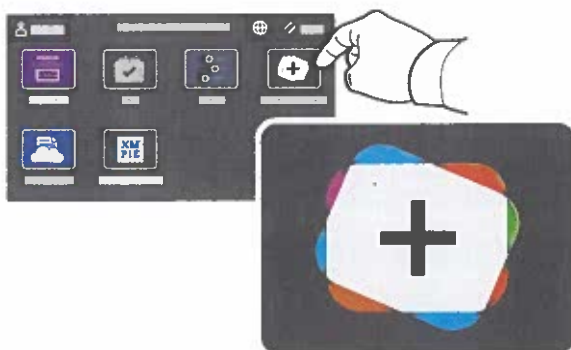
To connect, in a Web browser, type the printer IP address. The network IPv4 address is available on the control panel touch screen. Touch **Device** app > **About**, then scroll down.

For details on using the Embedded Web Server, refer to the *User Guide* located on Xerox.com.



App Gallery

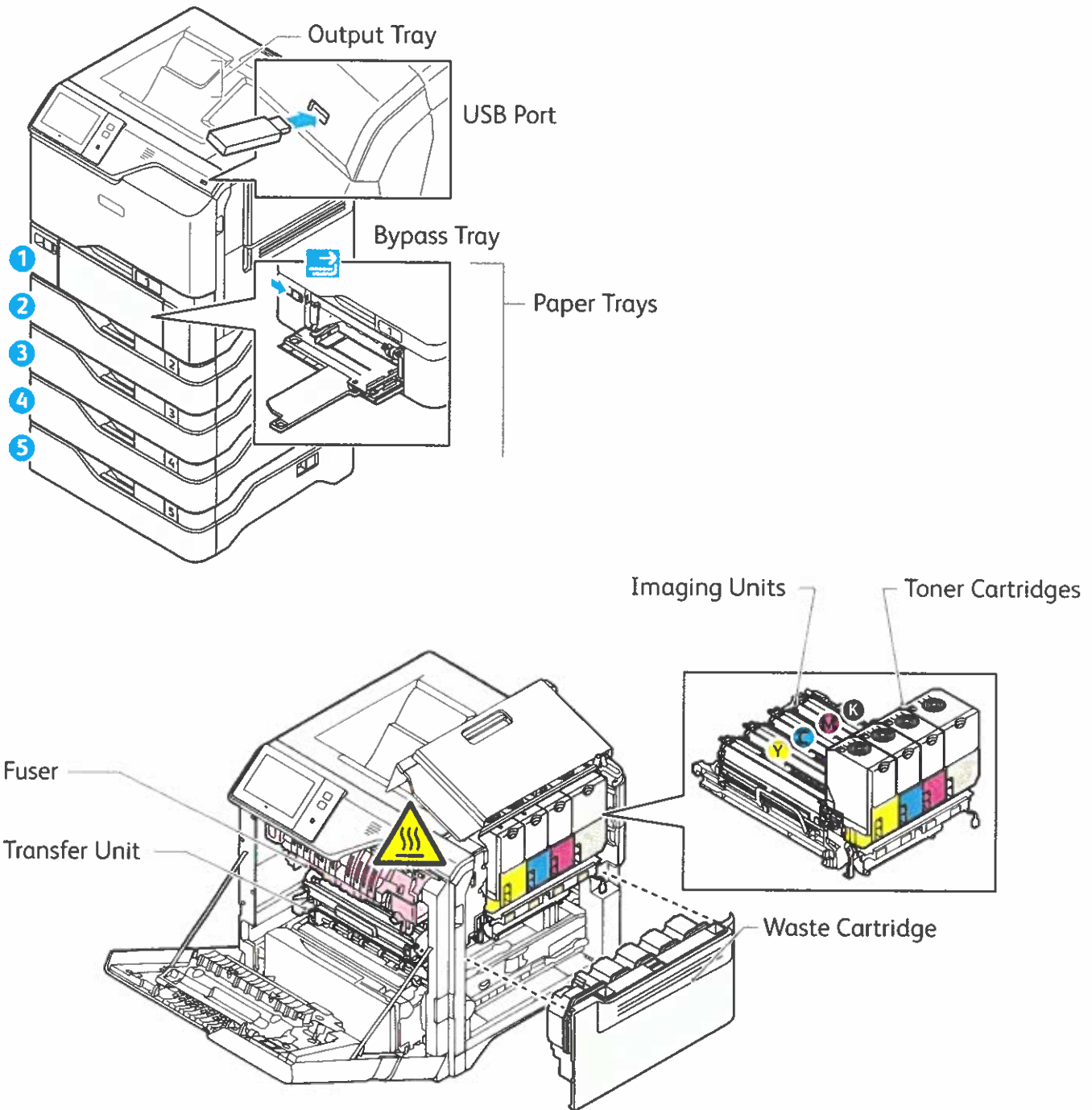
The Xerox App Gallery has a growing collection of productivity apps that you can install on your printer. Find the app on your home screen and create your login directly, or go to www.xerox.com/appgallery to log in and add your device. To simplify app installation, use the same name for your app gallery login credentials that you used for the printer login.



www.xerox.com/appgallery

Printer Tour

Optional accessories can be part of your printer setup. For details, refer to the *User Guide*.



Paper Handling

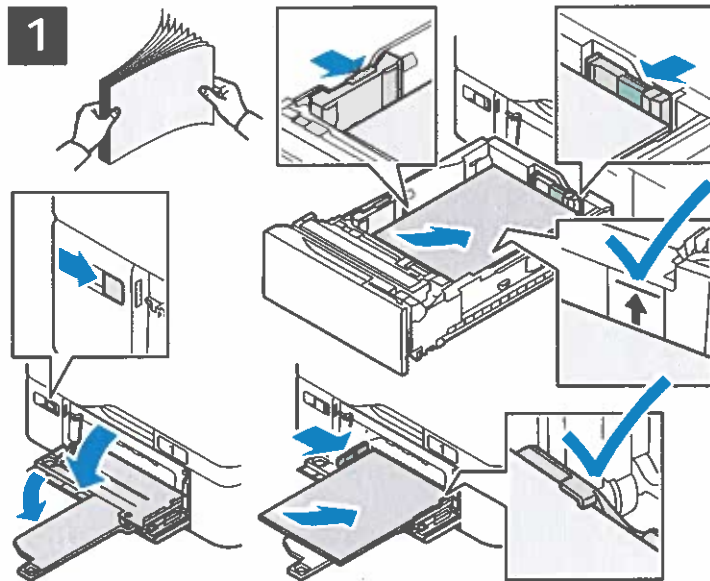
For a complete list of paper that works with your printer, see the Recommended Media List at:

www.xerox.com/rmlna (U. S. and Canada)

www.xerox.com/rmleu (Europe)

For details about trays and paper, refer to the *User Guide*.

Loading Paper



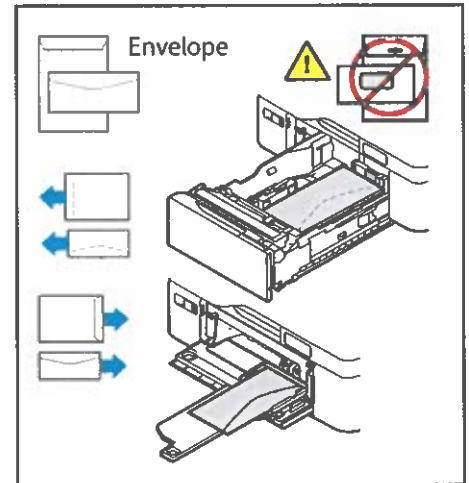
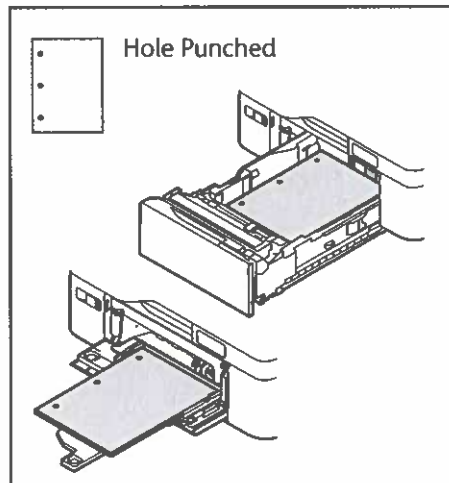
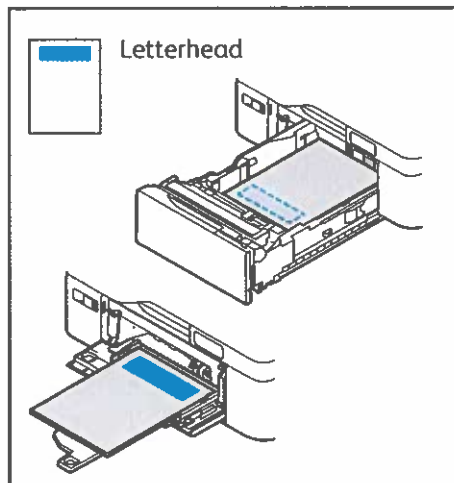
Confirm or change size, type, and color settings if needed.



For the best results, fan the edges of the paper. Adjust the guides to fit the paper size. Do not load paper above the maximum fill line.

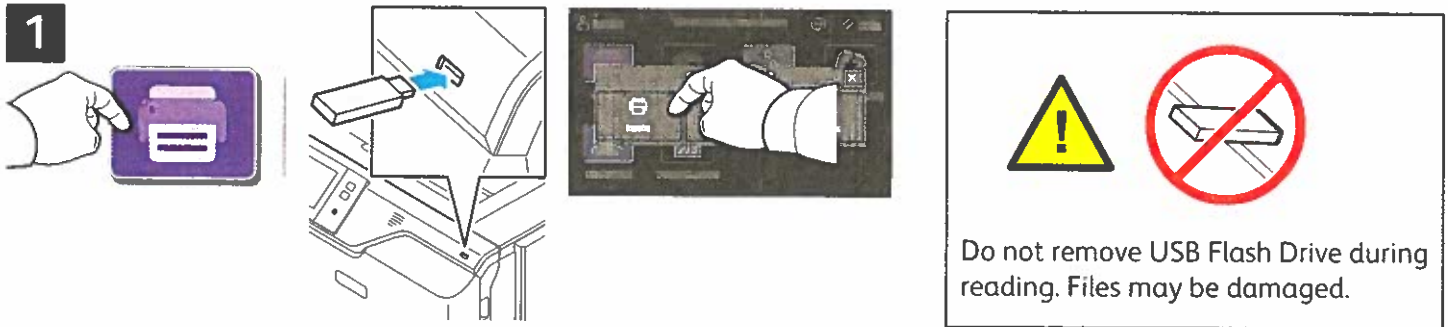
When printing, select options in the print driver.

Paper Orientation

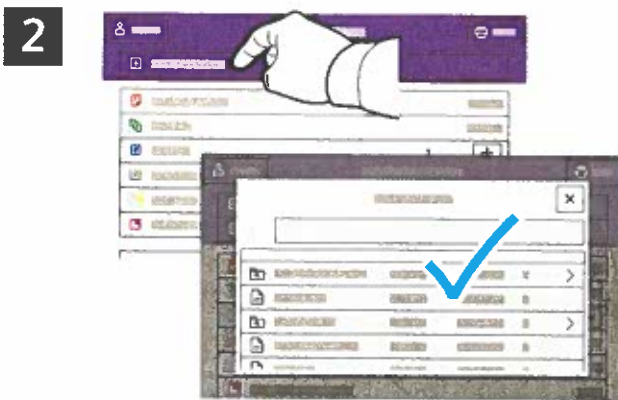


Printing from a USB Flash Drive

You can print .pdf, .tiff, .ps, .xps and other files types directly from a USB Flash Drive. For more information, refer to the *User Guide*.

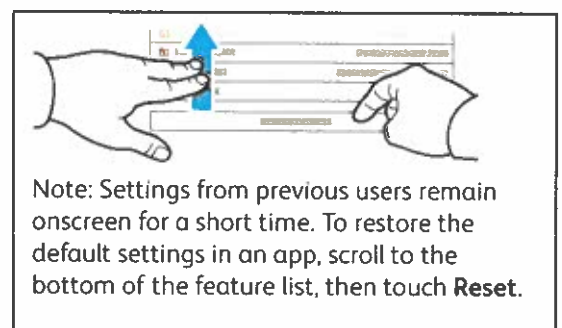
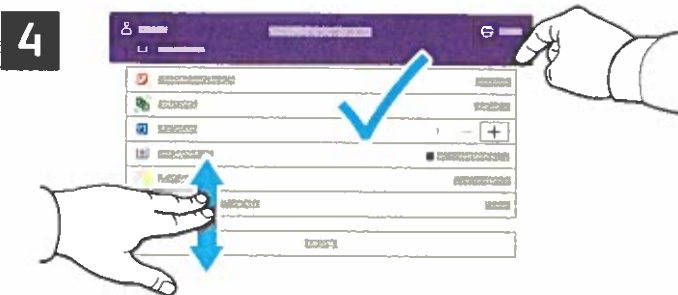


Touch **Print From** or insert your USB Flash Drive, then choose **Print From USB**.



To select the number of copies, touch the plus sign (+) or the minus sign (-). For larger numbers, touch **Quantity** then enter a number.

Touch **Add Document**, then navigate to your files and select them.

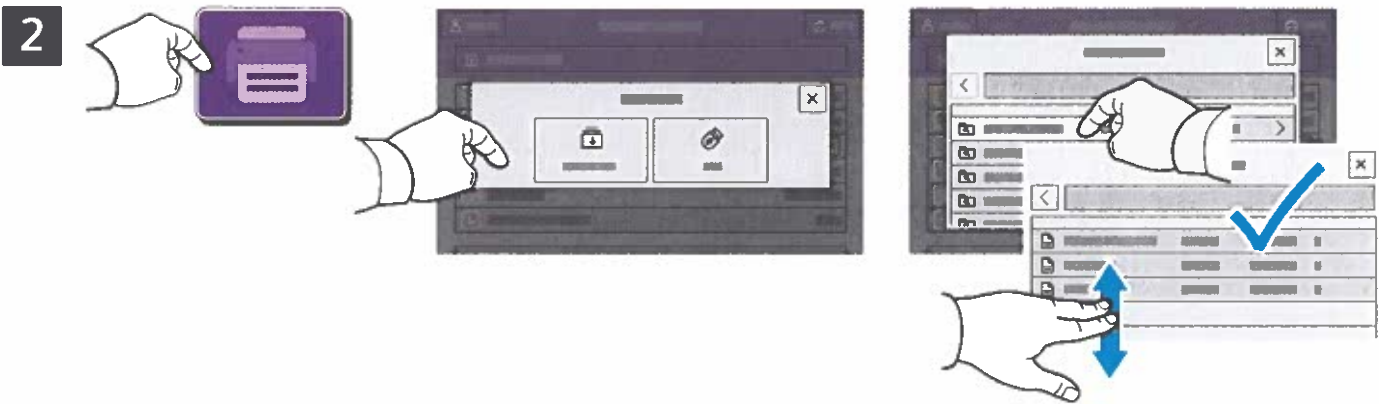


Select settings as needed, then touch **Print**.

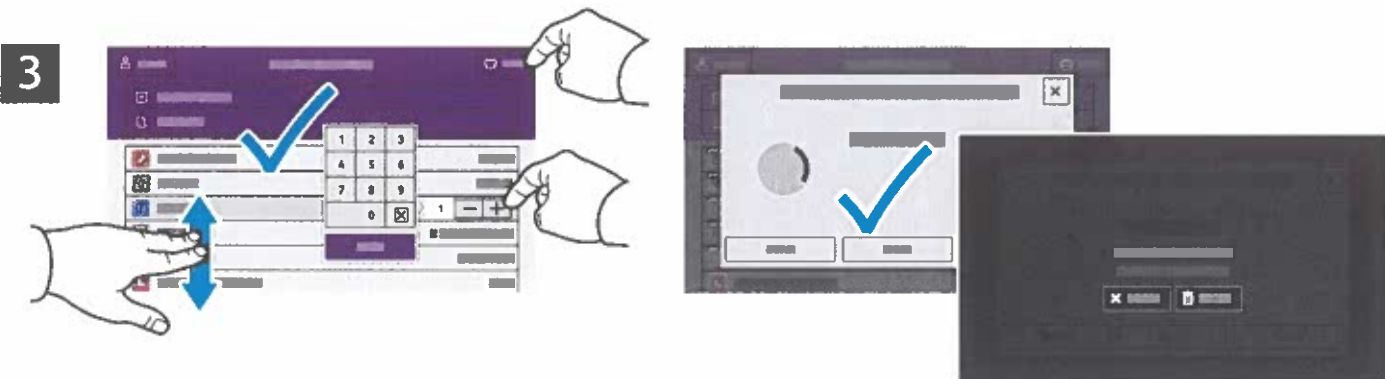
Printing Jobs Stored on the Printer



You can send a print job to save to the printer, then select the job from the printer control panel to print at a later time. Jobs can be saved in the public folder or be password protected. In the Xerox® printer driver, select **Properties** (Windows) or **Xerox Features** (Mac OS), then **Job Type**. Select **Saved Job** or **Secure Print**. For Secure Print, type a passcode. Click **OK** and print the job.



Touch **Print From** then touch **Saved Jobs**. Select the **Default Public Folder** then select your print job.



Select settings from the list. To select the number of copies, touch the plus sign (+) or the minus sign (-). For larger numbers, touch **Quantity** then enter a number. Touch **Print**. To delete the job, in the printing screen and confirmation screen, touch **Delete**.

Resident Fonts

Position	Font Name	Print Sample
1	Courier «Esc»(Symbol set«Esc»(s0p«pitch»h0s0b4099T	'ABCDEFGGabcdefg0123456789&?!.,'
2	CG Times «Esc»(Symbol set«Esc»(s1p«size»v0s0b4101T	'ABCDEFGGabcdefg0123456789&?!.,'
3	CG Times Bold «Esc»(Symbol set«Esc»(s1p«size»v0s3b4101T	'ABCDEFGGabcdefg0123456789&?!.,'
4	CG Times Italic «Esc»(Symbol set«Esc»(s1p«size»v1s0b4101T	' <i>ABCDEFGGabcdefg0123456789&?!.,'</i>
5	CG Times Bold Italic «Esc»(Symbol set«Esc»(s1p«size»v1s3b4101T	' <i>ABCDEFGGabcdefg0123456789&?!.,'</i>
6	CG Omega «Esc»(Symbol set«Esc»(s1p«size»v0s0b4113T	'ABCDEFGGabcdefg0123456789&?!.,'
7	CG Omega Bold «Esc»(Symbol set«Esc»(s1p«size»v0s3b4113T	'ABCDEFGGabcdefg0123456789&?!.,'
8	CG Omega Italic «Esc»(Symbol set«Esc»(s1p«size»v1s0b4113T	' <i>ABCDEFGGabcdefg0123456789&?!.,'</i>
9	CG Omega Bold Italic «Esc»(Symbol set«Esc»(s1p«size»v1s3b4113T	' <i>ABCDEFGGabcdefg0123456789&?!.,'</i>
10	Coronet «Esc»(Symbol set«Esc»(s1p«size»v1s0b4116T	' <i>ABCDEF^Gabcdefg0123456789&?!.,'</i>
11	Clarendon Condensed «Esc»(Symbol set«Esc»(s1p«size»v4s3b4140T	'ABCDEFGGabcdefg0123456789&?!.,'
12	Univers Medium «Esc»(Symbol set«Esc»(s1p«size»v0s0b4148T	'ABCDEFGGabcdefg0123456789&?!.,'
13	Univers Bold «Esc»(Symbol set«Esc»(s1p«size»v0s3b4148T	'ABCDEFGGabcdefg0123456789&?!.,'
14	Univers Medium Italic «Esc»(Symbol set«Esc»(s1p«size»v1s0b4148T	' <i>ABCDEFGGabcdefg0123456789&?!.,'</i>
15	Univers Bold Italic «Esc»(Symbol set«Esc»(s1p«size»v1s3b4148T	' <i>ABCDEFGGabcdefg0123456789&?!.,'</i>
16	Univers Medium Condensed «Esc»(Symbol set«Esc»(s1p«size»v4s0b4148T	'ABCDEFGGabcdefg0123456789&?!.,'
17	Univers Bold Condensed «Esc»(Symbol set«Esc»(s1p«size»v4s3b4148T	'ABCDEFGGabcdefg0123456789&?!.,'

Resident Fonts

Position	Font Name	Print Sample
18	Univers Medium Condensed Italic «Esc»(Symbol set«Esc»(s1p«size»v5s0b4148T	' <i>ABCDEFGGabcdefg0123456789&?!.,'</i>
19	Univers Bold Condensed Italic «Esc»(Symbol set«Esc»(s1p«size»v5s3b4148T	' <i>ABCDEFGGabcdefg0123456789&?!.,'</i>
20	Antique Olive «Esc»(Symbol set«Esc»(s1p«size»v0s0b4168T	' <i>ABCDEFGGabcdefg0123456789&?!.,'</i>
21	Antique Olive Bold «Esc»(Symbol set«Esc»(s1p«size»v0s3b4168T	' <i>ABCDEFGGabcdefg0123456789&?!.,'</i>
22	Antique Olive Italic «Esc»(Symbol set«Esc»(s1p«size»v1s0b4168T	' <i>ABCDEFGGabcdefg0123456789&?!.,'</i>
23	Garamond Antiqua «Esc»(Symbol set«Esc»(s1p«size»v0s0b4197T	' <i>ABCDEFGGabcdefg0123456789&?!.,'</i>
24	Garamond Halbfett «Esc»(Symbol set«Esc»(s1p«size»v0s3b4197T	' <i>ABCDEFGGabcdefg0123456789&?!.,'</i>
25	Garamond Kursiv «Esc»(Symbol set«Esc»(s1p«size»v1s0b4197T	' <i>ABCDEFGGabcdefg0123456789&?!.,'</i>
26	Garamond Kursiv Halbfett «Esc»(Symbol set«Esc»(s1p«size»v1s3b4197T	' <i>ABCDEFGGabcdefg0123456789&?!.,'</i>
27	Marigold «Esc»(Symbol set«Esc»(s1p«size»v0s0b4297T	' <i>ABCDEFGGabcdefg0123456789&?!.,'</i>
28	Albertus Medium «Esc»(Symbol set«Esc»(s1p«size»v0s1b4362T	' <i>ABCDEFGGabcdefg0123456789&?!.,'</i>
29	Albertus Extra Bold «Esc»(Symbol set«Esc»(s1p«size»v0s4b4362T	' <i>ABCDEFGGabcdefg0123456789&?!.,'</i>
30	Ryadh «Esc»(Symbol set«Esc»(s1p«size»v0s0b4859T	ABCDEFGabcdefg0123456789&?!.,
31	Ryadh Bold «Esc»(Symbol set«Esc»(s1p«size»v0s3b4859T	ABCDEFGabcdefg0123456789&?!.,
32	Malka «Esc»(Symbol set«Esc»(s1p«size»v0s0b16584T	ABCDEFGabcdefg0123456789&?!.,
33	Malka Bold «Esc»(Symbol set«Esc»(s1p«size»v0s3b16584T	ABCDEFGabcdefg0123456789&?!.,
34	Malka Italic «Esc»(Symbol set«Esc»(s1p«size»v1s0b16584T	<i>ABCDEFGabcdefg0123456789&?!.,'</i>

Resident Fonts

Position	Font Name	Print Sample
35	Dorit «Esc»(Symbol set«Esc»(s1p«size»v0s0b16585T	ABCDEFGabcdefg0123456789&?!.,'
36	Dorit Bold «Esc»(Symbol set«Esc»(s1p«size»v0s3b16585T	ABCDEFGabcdefg0123456789&?!.,'
37	Naamit «Esc»(Symbol set«Esc»(s1p«size»v0s0b16587T	ABCDEFGabcdefg0123456789&?!.,'
38	Naamit Bold «Esc»(Symbol set«Esc»(s1p«size»v0s3b16587T	ABCDEFGabcdefg0123456789&?!.,'
39	Arial «Esc»(Symbol set«Esc»(s1p«size»v0s0b16602T	'ABCDEFGabcdefg0123456789&?!.,'
40	Arial Bold «Esc»(Symbol set«Esc»(s1p«size»v0s3b16602T	'ABCDEFGabcdefg0123456789&?!.,'
41	Arial Italic «Esc»(Symbol set«Esc»(s1p«size»v1s0b16602T	<i>'ABCDEFGabcdefg0123456789&?!.,'</i>
42	Arial Bold Italic «Esc»(Symbol set«Esc»(s1p«size»v1s3b16602T	<i>'ABCDEFGabcdefg0123456789&?!.,'</i>
43	Times New Roman «Esc»(Symbol set«Esc»(s1p«size»v0s0b16901T	'ABCDEFGabcdefg0123456789&?!.,'
44	Times New Roman Bold «Esc»(Symbol set«Esc»(s1p«size»v0s3b16901T	'ABCDEFGabcdefg0123456789&?!.,'
45	Times New Roman Italic «Esc»(Symbol set«Esc»(s1p«size»v1s0b16901T	<i>'ABCDEFGabcdefg0123456789&?!.,'</i>
46	Times New Roman Bold Italic «Esc»(Symbol set«Esc»(s1p«size»v1s3b16901T	<i>'ABCDEFGabcdefg0123456789&?!.,'</i>
47	Helvetica «Esc»(Symbol set«Esc»(s1p«size»v0s0b24580T	'ABCDEFGabcdefg0123456789&?!.,'
48	Helvetica Bold «Esc»(Symbol set«Esc»(s1p«size»v0s3b24580T	'ABCDEFGabcdefg0123456789&?!.,'
49	Helvetica Oblique «Esc»(Symbol set«Esc»(s1p«size»v1s0b24580T	<i>'ABCDEFGabcdefg0123456789&?!.,'</i>
50	Helvetica Bold Oblique «Esc»(Symbol set«Esc»(s1p«size»v1s3b24580T	<i>'ABCDEFGabcdefg0123456789&?!.,'</i>
51	Helvetica Narrow «Esc»(Symbol set«Esc»(s1p«size»v4s0b24580T	'ABCDEFGabcdefg0123456789&?!.,'

Resident Fonts

Position	Font Name	Print Sample
52	Helvetica Narrow Bold «Esc»(Symbol set«Esc»(s1p«size»v4s3b24580T	'ABCDEFGabcdefg0123456789&?!.,'
53	Helvetica Narrow Oblique «Esc»(Symbol set«Esc»(s1p«size»v5s0b24580T	'ABCDEFGabcdefg0123456789&?!.,'
54	Helvetica Narrow Bold Oblique «Esc»(Symbol set«Esc»(s1p«size»v5s3b24580T	'ABCDEFGabcdefg0123456789&?!.,'
55	Palatino Roman «Esc»(Symbol set«Esc»(s1p«size»v0s0b24591T	'ABCDEFGabcdefg0123456789&?!.,'
56	Palatino Bold «Esc»(Symbol set«Esc»(s1p«size»v0s3b24591T	'ABCDEFGabcdefg0123456789&?!.,'
57	Palatino Italic «Esc»(Symbol set«Esc»(s1p«size»v1s0b24591T	'ABCDEFGabcdefg0123456789&?!.,'
58	Palatino Bold Italic «Esc»(Symbol set«Esc»(s1p«size»v1s3b24591T	'ABCDEFGabcdefg0123456789&?!.,'
59	ITC Avant Garde Book «Esc»(Symbol set«Esc»(s1p«size»v0s0b24607T	'ABCDEFGabcdefg0123456789&?!.,'
60	ITC Avant Garde DemiBold «Esc»(Symbol set«Esc»(s1p«size»v0s2b24607T	'ABCDEFGabcdefg0123456789&?!.,'
61	ITC Avant Garde Book Oblique «Esc»(Symbol set«Esc»(s1p«size»v1s0b24607T	'ABCDEFGabcdefg0123456789&?!.,'
62	ITC Avant Garde DemiBold Oblique «Esc»(Symbol set«Esc»(s1p«size»v1s2b24607T	'ABCDEFGabcdefg0123456789&?!.,'
63	ITC Bookman Light «Esc»(Symbol set«Esc»(s1p«size»v0s-3b24623T	'ABCDEFGabcdefg0123456789&?!.,'
64	ITC Bookman DemiBold «Esc»(Symbol set«Esc»(s1p«size»v0s2b24623T	'ABCDEFGabcdefg0123456789&?!.,'
65	ITC Bookman Light Italic «Esc»(Symbol set«Esc»(s1p«size»v1s-3b24623T	'ABCDEFGabcdefg0123456789&?!.,'
66	ITC Bookman DemiBold Italic «Esc»(Symbol set«Esc»(s1p«size»v1s2b24623T	'ABCDEFGabcdefg0123456789&?!.,'
67	New Century Schoolbook Roman «Esc»(Symbol set«Esc»(s1p«size»v0s0b24703T	'ABCDEFGabcdefg0123456789&?!.,'
68	New Century Schoolbook Bold «Esc»(Symbol set«Esc»(s1p«size»v0s3b24703T	'ABCDEFGabcdefg0123456789&?!.,'

Resident Fonts

Position	Font Name	Print Sample
86	Naskh «Esc»(Symbol set«Esc»(s0p«pitch»h0s0b4124T	ABCDEFgabcdefg0123456789&?!.,
87	Naskh Bold «Esc»(Symbol set«Esc»(s0p«pitch»h0s3b4124T	ABCDEFgabcdefg0123456789&?!.,
88	Koufi «Esc»(Symbol set«Esc»(s0p«pitch»h0s0b4264T	ABCDEFgabcdefg0123456789&?!.,
89	Koufi Bold «Esc»(Symbol set«Esc»(s0p«pitch»h0s3b4264T	ABCDEFgabcdefg0123456789&?!.,
90	Courier PS «Esc»(Symbol set«Esc»(s0p«pitch»h0s0b24579T	`ABCDEFgabcdefg0123456789&?!.,`
91	Courier PS Bold «Esc»(Symbol set«Esc»(s0p«pitch»h0s3b24579T	`ABCDEFgabcdefg0123456789&?!.,`
92	Courier PS Oblique «Esc»(Symbol set«Esc»(s0p«pitch»h1s0b24579T	`ABCDEFgabcdefg0123456789&?!.,`
93	Courier PS Bold Oblique «Esc»(Symbol set«Esc»(s0p«pitch»h1s3b24579T	`ABCDEFgabcdefg0123456789&?!.,`
93	Line Printer «Esc»(8U«Esc»(s0p16.67h8.48v0s0b0T	'ABCDEFgabcdefg0123456789&?!.,'

PostScript Font Listing

Internal Fonts:

AlbertusMT	ABCDEF abcdefg 0123456789 &?!\$.€
AlbertusMT-Italic	ABCDEF abcdefg 0123456789 &?!\$.€
AlbertusMT-Light	ABCDEF abcdefg 0123456789 &?!\$.€
AntiqueOlive-Bold	ABCDEF abcdefg 0123456789 &?!\$.€
AntiqueOlive-Compact	ABCDEF abcdefg 0123456789 &?!\$.€
AntiqueOlive-Italic	ABCDEF abcdefg 0123456789 &?!\$.€
AntiqueOlive-Roman	ABCDEF abcdefg 0123456789 &?!\$.€
Apple-Chancery	ABCDEF abcdefg 0123456789 &?!\$.€
Arial-BoldItalicMT	ABCDEF abcdefg 0123456789 &?!\$.€
Arial-BoldMT	ABCDEF abcdefg 0123456789 &?!\$.€
Arial-ItalicMT	ABCDEF abcdefg 0123456789 &?!\$.€
ArialMT	ABCDEF abcdefg 0123456789 &?!\$.€
AvantGarde-Book	ABCDEF abcdefg 0123456789 &?!\$.€
AvantGarde-BookOblique	ABCDEF abcdefg 0123456789 &?!\$.€
AvantGarde-Demi	ABCDEF abcdefg 0123456789 &?!\$.€
AvantGarde-DemiOblique	ABCDEF abcdefg 0123456789 &?!\$.€
Bodoni	ABCDEF abcdefg 0123456789 &?!\$.€
Bodoni-Bold	ABCDEF abcdefg 0123456789 &?!\$.€
Bodoni-BoldItalic	ABCDEF abcdefg 0123456789 &?!\$.€
Bodoni-Italic	ABCDEF abcdefg 0123456789 &?!\$.€
Bodoni-Poster	ABCDEF abcdefg 0123456789 &?!\$.€
Bodoni-PosterCompressed	ABCDEF abcdefg 0123456789 &?!\$.€
Bookman-Demi	ABCDEF abcdefg 0123456789 &?!\$.€
Bookman-DemiItalic	ABCDEF abcdefg 0123456789 &?!\$.€
Bookman-Light	ABCDEF abcdefg 0123456789 &?!\$.€
Bookman-LightItalic	ABCDEF abcdefg 0123456789 &?!\$.€
Carta	*!@#%&'()*+,-./:;<=>?[]^_`{ }~&?!\$.€
Chicago	ABCDEF abcdefg 0123456789 &?!\$.€
Clarendon	ABCDEF abcdefg 0123456789 &?!\$.€
Clarendon-Bold	ABCDEF abcdefg 0123456789 &?!\$.€
Clarendon-Light	ABCDEF abcdefg 0123456789 &?!\$.€
CooperBlack	ABCDEF abcdefg 0123456789 &?!\$.€
CooperBlack-Italic	ABCDEF abcdefg 0123456789 &?!\$.€
Copperplate-ThirtyThreeBC	ABCDEF ABCDEF 0123456789 &?!\$.€
Copperplate-ThirtyTwoBC	ABCDEF ABCDEF 0123456789 &?!\$.€
Coronet-Regular	ABCDEF abcdefg 0123456789 &?!\$.€
Courier	ABCDEF abcdefg 0123456789 &?!\$.€
Courier-Bold	ABCDEF abcdefg 0123456789 &?!\$.€
Courier-BoldOblique	ABCDEF abcdefg 0123456789 &?!\$.€
Courier-Oblique	ABCDEF abcdefg 0123456789 &?!\$.€
Eurostile	ABCDEF abcdefg 0123456789 &?!\$.€
Eurostile-Bold	ABCDEF abcdefg 0123456789 &?!\$.€
Eurostile-BoldExtendedTwo	ABCDEF abcdefg 0123456789 &?!\$.€
Eurostile-ExtendedTwo	ABCDEF abcdefg 0123456789 &?!\$.€
Geneva	ABCDEF abcdefg 0123456789 &?!\$.€
GillSans	ABCDEF abcdefg 0123456789 &?!\$.€
GillSans-Bold	ABCDEF abcdefg 0123456789 &?!\$.€
GillSans-BoldCondensed	ABCDEF abcdefg 0123456789 &?!\$.€
GillSans-BoldItalic	ABCDEF abcdefg 0123456789 &?!\$.€
GillSans-Condensed	ABCDEF abcdefg 0123456789 &?!\$.€
GillSans-ExtraBold	ABCDEF abcdefg 0123456789 &?!\$.€
GillSans-Italic	ABCDEF abcdefg 0123456789 &?!\$.€
GillSans-Light	ABCDEF abcdefg 0123456789 &?!\$.€
GillSans-LightItalic	ABCDEF abcdefg 0123456789 &?!\$.€
Goudy	ABCDEF abcdefg 0123456789 &?!\$.€
Goudy-Bold	ABCDEF abcdefg 0123456789 &?!\$.€
Goudy-BoldItalic	ABCDEF abcdefg 0123456789 &?!\$.€
Goudy-ExtraBold	ABCDEF abcdefg 0123456789 &?!\$.€
Goudy-Italic	ABCDEF abcdefg 0123456789 &?!\$.€
GreekMono737	ABCDEF abcdefg 0123456789 &?!\$.€
GreekMono737-Bold	ABCDEF abcdefg 0123456789 &?!\$.€
GreekMono737-BoldItalic	ABCDEF abcdefg 0123456789 &?!\$.€
GreekMono737-Italic	ABCDEF abcdefg 0123456789 &?!\$.€
GreekMono851	ABCDEF abcdefg 0123456789 &?!\$.€

PostScript Font Listing

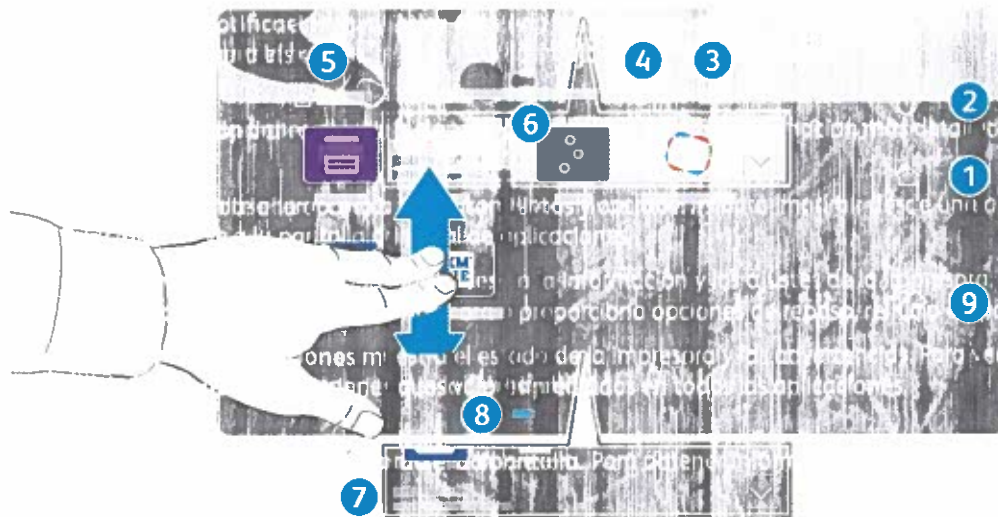
Internal Fonts (continued):

GreekMono851-Bold	ABCDEF G abcdefg 0123456789 &?!\$.,
GreekMono851-BoldItalic	ABCDEF G abcdefg 0123456789 &?!\$.,
GreekMono851-Italic	<i>ABCDEF G abcdefg 0123456789 &?!\$.,</i>
GreekMono8859-7	ABCDEF G abcdefg 0123456789 &?!\$.,
GreekMono8859-7Bold	ABCDEF G abcdefg 0123456789 &?!\$.,
GreekMono8859-7BoldItalic	ABCDEF G abcdefg 0123456789 &?!\$.,
GreekMono8859-7Italic	<i>ABCDEF G abcdefg 0123456789 &?!\$.,</i>
GreekSans737	ABCDEF G abcdefg 0123456789 &?!\$.,
GreekSans737-Bold	ABCDEF G abcdefg 0123456789 &?!\$.,
GreekSans737-BoldItalic	ABCDEF G abcdefg 0123456789 &?!\$.,
GreekSans737-Italic	<i>ABCDEF G abcdefg 0123456789 &?!\$.,</i>
GreekSans851	ABCDEF G abcdefg 0123456789 &?!\$.,
GreekSans851-Bold	ABCDEF G abcdefg 0123456789 &?!\$.,
GreekSans851-BoldItalic	ABCDEF G abcdefg 0123456789 &?!\$.,
GreekSans851-Italic	<i>ABCDEF G abcdefg 0123456789 &?!\$.,</i>
GreekSans8859-7	ABCDEF G abcdefg 0123456789 &?!\$.,
GreekSans8859-7Bold	ABCDEF G abcdefg 0123456789 &?!\$.,
GreekSans8859-7BoldItalic	ABCDEF G abcdefg 0123456789 &?!\$.,
GreekSans8859-7Italic	<i>ABCDEF G abcdefg 0123456789 &?!\$.,</i>
GreekSerif737	ABCDEF G abcdefg 0123456789 &?!\$.,
GreekSerif737-Bold	ABCDEF G abcdefg 0123456789 &?!\$.,
GreekSerif737-BoldItalic	ABCDEF G abcdefg 0123456789 &?!\$.,
GreekSerif737-Italic	<i>ABCDEF G abcdefg 0123456789 &?!\$.,</i>
GreekSerif851	ABCDEF G abcdefg 0123456789 &?!\$.,
GreekSerif851-Bold	ABCDEF G abcdefg 0123456789 &?!\$.,
GreekSerif851-BoldItalic	ABCDEF G abcdefg 0123456789 &?!\$.,
GreekSerif851-Italic	<i>ABCDEF G abcdefg 0123456789 &?!\$.,</i>
GreekSerif8859-7	ABCDEF G abcdefg 0123456789 &?!\$.,
GreekSerif8859-7Bold	ABCDEF G abcdefg 0123456789 &?!\$.,
GreekSerif8859-7BoldItalic	ABCDEF G abcdefg 0123456789 &?!\$.,
GreekSerif8859-7Italic	<i>ABCDEF G abcdefg 0123456789 &?!\$.,</i>
Helvetica	ABCDEF G abcdefg 0123456789 &?!\$.,€
Helvetica-Bold	ABCDEF G abcdefg 0123456789 &?!\$.,€
Helvetica-BoldOblique	ABCDEF G abcdefg 0123456789 &?!\$.,€
Helvetica-Condensed	ABCDEF G abcdefg 0123456789 &?!\$.,€
Helvetica-Condensed-Bold	ABCDEF G abcdefg 0123456789 &?!\$.,€
Helvetica-Condensed-BoldObli	ABCDEF G abcdefg 0123456789 &?!\$.,€
Helvetica-Condensed-Oblique	<i>ABCDEF G abcdefg 0123456789 &?!\$.,€</i>
Helvetica-Narrow	ABCDEF G abcdefg 0123456789 &?!\$.,€
Helvetica-Narrow-Bold	ABCDEF G abcdefg 0123456789 &?!\$.,€
Helvetica-Narrow-BoldOblique	ABCDEF G abcdefg 0123456789 &?!\$.,€
Helvetica-Narrow-Oblique	<i>ABCDEF G abcdefg 0123456789 &?!\$.,€</i>
Helvetica-Oblique	<i>ABCDEF G abcdefg 0123456789 &?!\$.,€</i>
HoeflerText-Black	ABCDEF G abcdefg 0123456789 &?!\$.,€
HoeflerText-BlackItalic	ABCDEF G abcdefg 0123456789 &?!\$.,€
HoeflerText-Italic	<i>ABCDEF G abcdefg 0123456789 &?!\$.,€</i>
HoeflerText-Ornaments	🌀🌀🌀🌀🌀🌀🌀🌀🌀🌀🌀🌀🌀🌀🌀🌀🌀🌀🌀🌀🌀🌀
HoeflerText-Regular	ABCDEF G abcdefg 0123456789 &?!\$.,€
JoannaMT	ABCDEF G abcdefg 0123456789 &?!\$.,€
JoannaMT-Bold	ABCDEF G abcdefg 0123456789 &?!\$.,€
JoannaMT-BoldItalic	ABCDEF G abcdefg 0123456789 &?!\$.,€
JoannaMT-Italic	<i>ABCDEF G abcdefg 0123456789 &?!\$.,€</i>
LetterGothic	ABCDEF G abcdefg 0123456789 &?!\$.,€
LetterGothic-Bold	ABCDEF G abcdefg 0123456789 &?!\$.,€
LetterGothic-BoldSlanted	ABCDEF G abcdefg 0123456789 &?!\$.,€
LetterGothic-Slanted	<i>ABCDEF G abcdefg 0123456789 &?!\$.,€</i>
LubalinGraph-Book	ABCDEF G abcdefg 0123456789 &?!\$.,€
LubalinGraph-BookOblique	<i>ABCDEF G abcdefg 0123456789 &?!\$.,€</i>
LubalinGraph-Demi	ABCDEF G abcdefg 0123456789 &?!\$.,€
LubalinGraph-DemiOblique	<i>ABCDEF G abcdefg 0123456789 &?!\$.,€</i>
Marigold	ABCDEF G abcdefg 0123456789 &?!\$.,€
MonaLisa-Recut	ABCDEF G abcdefg 0123456789 &?!\$.,€
Monaco	ABCDEF G abcdefg 0123456789 &?!\$.,€
NewCenturySchlbk-Bold	ABCDEF G abcdefg 0123456789 &?!\$.,€

Panel de control

Las aplicaciones disponibles para su impresora y sobre las aplicaciones y funciones, consulte la Guía del usuario.

Para más información



- 1 Principal vuelve a la pantalla principal de aplicaciones.
- 2 Encendido/activación inicia la impresora o proporciona opciones de reposición de papel o apagado de la impresora.
- 3 Restaurar restaura las opciones y los valores predeterminados en todas las aplicaciones.
- 4 Adónde ofrece opciones del idioma en la pantalla.
- 5 Contexto proporciona acceso a los elementos y opciones.
- 6 Aplicación Dispositivo proporciona acceso a la información y los ajustes de la impresora.
- 7 El banner de notificaciones muestra el estado de la impresora y los advertencias. Para ver todas las notificaciones, toque el banner. Para cerrar el banner, toque la flecha abajo.
- 8 El LED de estado indica el estado de la impresora. Para obtener información más detallada, consulte la *Guía del usuario*.
- 9 Área NFC permite el emparejamiento con dispositivos móviles para imprimir desde una aplicación.

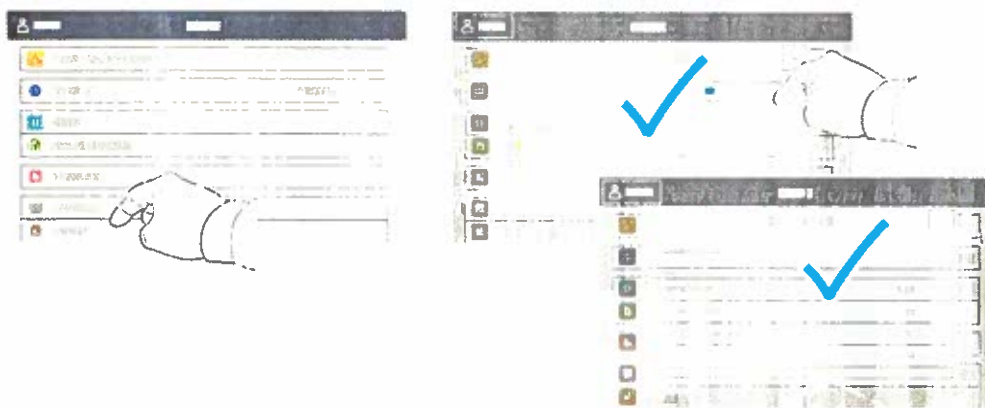
Aplicación Dispositivo

La aplicación Dispositivo proporciona acceso a los datos de los administradores, la información de la impresora y a las opciones. Para utilizar algunos de estos datos, puede ser necesario conectarse utilizando el nombre y la clave de administrador.



Información de funcionamiento

En el menú de funciones Dispositivo, pulse **Funciones** para ver el número de impresiones de cada impresora. Para ver el número de uso detallado, pulse **Comandos de uso**. La lista proporciona categorías de uso y el número de impresiones.



Controlador Web interno

El servicio de controlador web interno de Xerox® permite acceder a la configuración de la impresora, el estado de consumibles y el estado de alertas y advertencias de la impresora a través de una red.

Para conectarse al controlador web interno de la impresora, la dirección IPv4 de la red está disponible en el panel de control. Toque la tecla de configuración Dispositiva y Ajuste de red y desplácese hacia abajo.

Para más información sobre el controlador web interno, consulte la [Guía del usuario](#) en Xerox.com.



Guía de aplicaciones

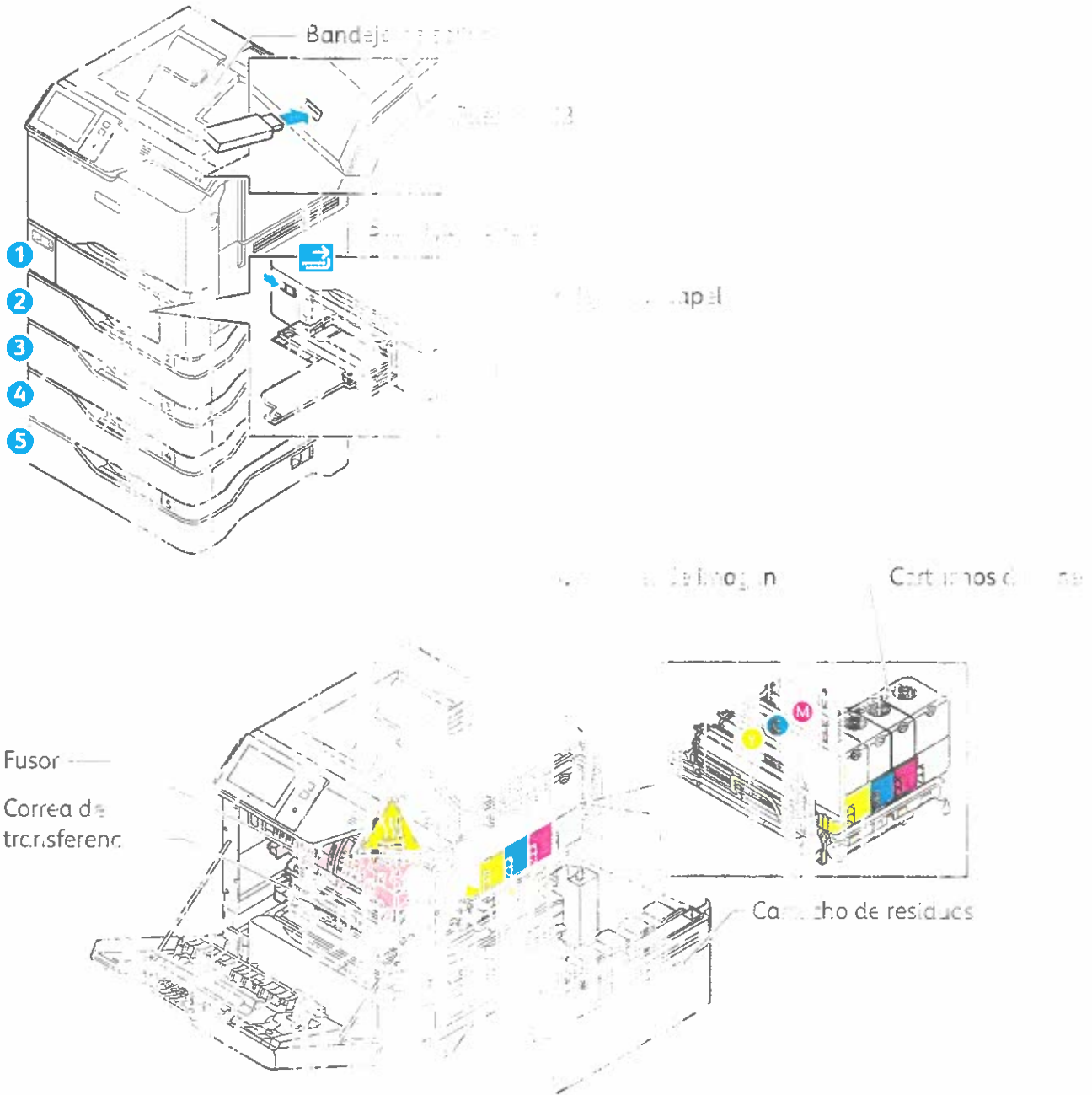
La Xerox App Gallery es una amplia colección de aplicaciones de productividad que podrá instalar en su dispositivo móvil para administrar fácilmente y crear su acceso directo o vaya a www.xerox.com/appgallery para conectarse y registrar su dispositivo para simplificar la instalación de la aplicación, como lo hace con cualquier otra aplicación. El nombre de la aplicación es el mismo que utilizó para conectarse al controlador web interno.



www.xerox.com/appgallery

Recorrido por la impresora

La configuración de su impresora puede variar según el modelo y el país. Para obtener más información consulte la *Guía del usuario*.



Manteniendo un nivel de papel

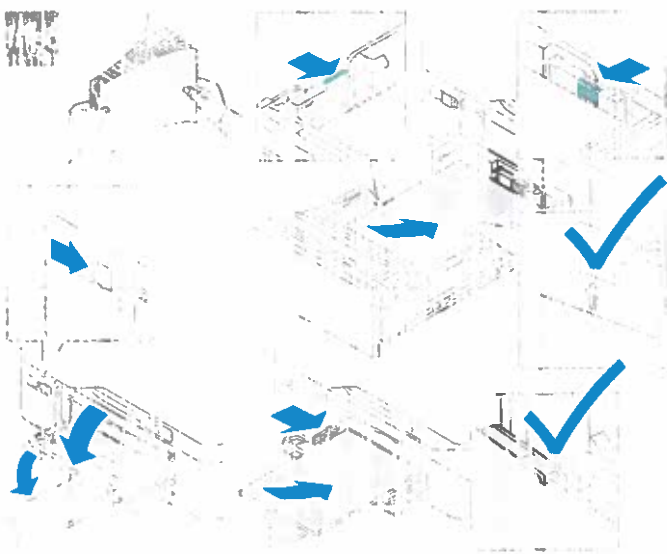
La batería y el nivel de cable de los tipos de papel y de tamaño de papel. Consulte el manual de usuario. **Recommended**
para el estado de las series recomendadas.

www.xerox.com/rmlna (Series y tamaño)

www.xerox.com/rmleu (tamaño)

Para el tamaño de papel y tamaño de papel, consulte la lista de opciones.

Selección del papel



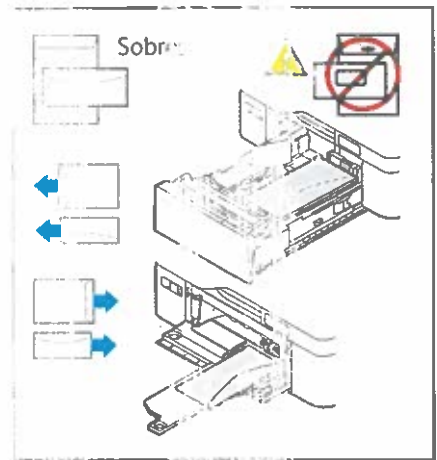
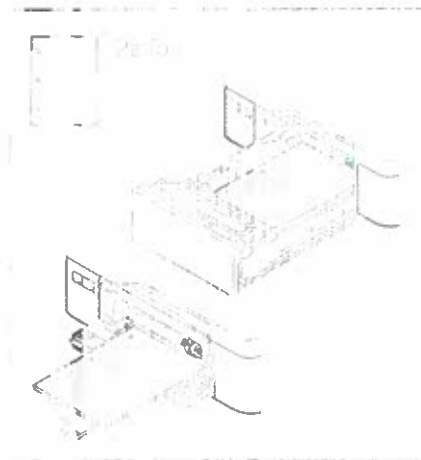
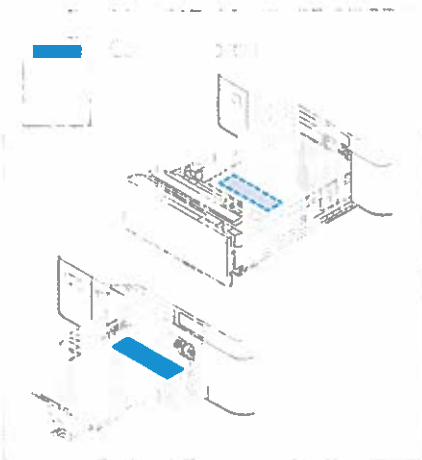
Verifique visible las opciones de tamaño y tipo de papel según el modelo.



Para ver las opciones de tamaño y tipo de papel, consulte el manual de usuario. Consulte el manual de usuario para que se muestre el tamaño del papel, las opciones de papel y la línea de capacidad máxima.

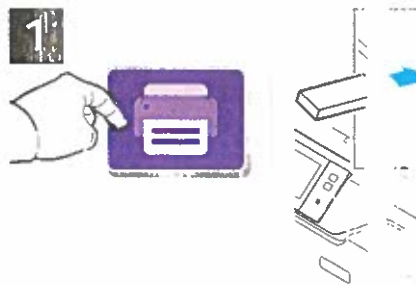
Al imprimir, seleccione las opciones en el menú de configuración de impresión.

Orientación del papel

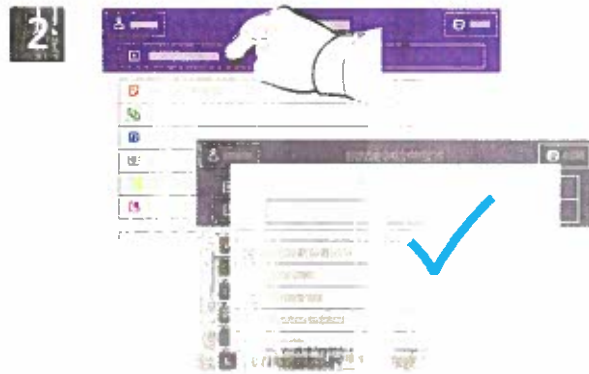


Impresión desde

Puede imprimir archivos .pdf desde un dispositivo de almacenamiento de información. Consulte la Guía de usuario para obtener información.



Pulse **USB** o inserte la unidad de almacenamiento de información.



Pulse **Agregar documento**, toque el archivo que desea imprimir y seleccione el archivo.



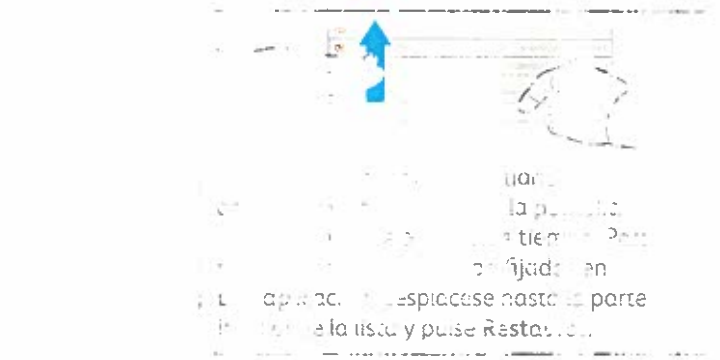
Seleccione los archivos que desea imprimir y pulse **Imprimir**.



El almacenamiento de información USB no es compatible.



El almacenamiento de información USB no es compatible. No se puede imprimir desde un dispositivo de almacenamiento de información USB.

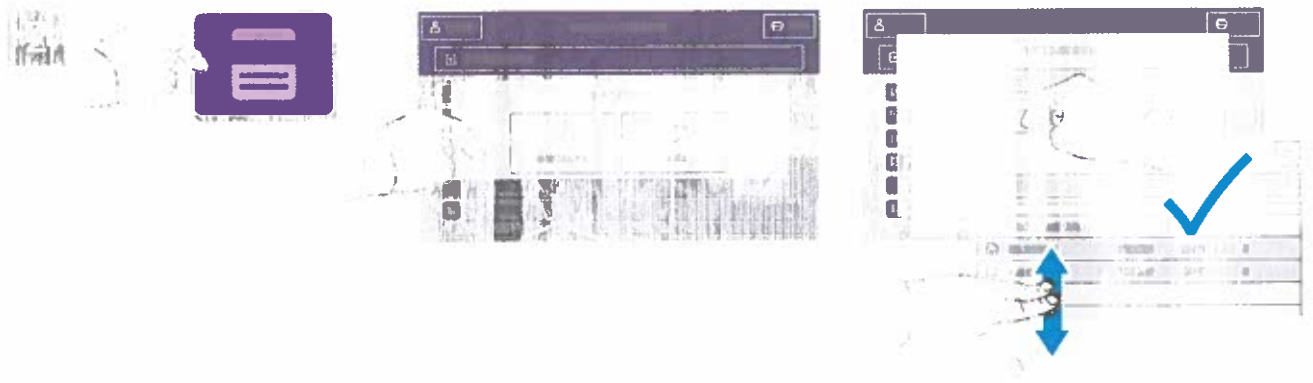


El almacenamiento de información USB no es compatible. No se puede imprimir desde un dispositivo de almacenamiento de información USB.

Impresión de trabajos en el modo de impresión protegida



Para imprimir un documento en modo de impresión protegida, abra el panel de control de la impresora y seleccione el modo de impresión protegida. Seleccione el documento que desea imprimir y pulse el botón de impresión. Seleccione el modo de impresión protegida en el panel de control de la impresora y pulse el botón de impresión. Seleccione el documento que desea imprimir y pulse el botón de impresión. Seleccione el modo de impresión protegida en el panel de control de la impresora y pulse el botón de impresión. Seleccione el documento que desea imprimir y pulse el botón de impresión.



En el modo de impresión protegida, seleccione el documento que desea imprimir y pulse el botón de impresión. Seleccione el modo de impresión protegida en el panel de control de la impresora y pulse el botón de impresión. Seleccione el documento que desea imprimir y pulse el botón de impresión. Seleccione el modo de impresión protegida en el panel de control de la impresora y pulse el botón de impresión. Seleccione el documento que desea imprimir y pulse el botón de impresión.



Para imprimir un documento en modo de impresión protegida, seleccione el documento que desea imprimir y pulse el botón de impresión. Seleccione el modo de impresión protegida en el panel de control de la impresora y pulse el botón de impresión. Seleccione el documento que desea imprimir y pulse el botón de impresión. Seleccione el modo de impresión protegida en el panel de control de la impresora y pulse el botón de impresión. Seleccione el documento que desea imprimir y pulse el botón de impresión.

Lista de fuentes PCL6 Página 1

Fuentes residentes

Posición	Nombre de la fuente	Muestra de impresión
1	Helvetica	'ABCDEFGHIJKLMNOPQRSTUVWXYZ0123456789&?!,.'
2	Helvetica	'ABCDEFGHIJKLMNOPQRSTUVWXYZ0123456789&?!,.'
3	Helvetica Cond	'ABCDEFGHIJKLMNOPQRSTUVWXYZ0123456789&?!,.'
4	Helvetica Italic	'ABCDEFGHIJKLMNOPQRSTUVWXYZ0123456789&?!,.'
5	Helvetica Cond Italic	'ABCDEFGHIJKLMNOPQRSTUVWXYZ0123456789&?!,.'
6	Helvetica	'ABCDEFGHIJKLMNOPQRSTUVWXYZ0123456789&?!,.'
7	Helvetica Cond	'ABCDEFGHIJKLMNOPQRSTUVWXYZ0123456789&?!,.'
8	Helvetica Italic	'ABCDEFGHIJKLMNOPQRSTUVWXYZ0123456789&?!,.'
9	Helvetica Cond Italic	'ABCDEFGHIJKLMNOPQRSTUVWXYZ0123456789&?!,.'
10	Helvetica	'ABCDEFGHIJKLMNOPQRSTUVWXYZ0123456789&?!,.'
11	Helvetica Condensed	'ABCDEFGHIJKLMNOPQRSTUVWXYZ0123456789&?!,.'
12	Univers Medium	'ABCDEFGHIJKLMNOPQRSTUVWXYZ0123456789&?!,.'
13	Univers Bold	'ABCDEFGHIJKLMNOPQRSTUVWXYZ0123456789&?!,.'
14	Univers Medium Italic	'ABCDEFGHIJKLMNOPQRSTUVWXYZ0123456789&?!,.'
15	Univers Bold Italic	'ABCDEFGHIJKLMNOPQRSTUVWXYZ0123456789&?!,.'
16	Univers Medium Condensed	'ABCDEFGHIJKLMNOPQRSTUVWXYZ0123456789&?!,.'
17	Univers Bold Condensed	'ABCDEFGHIJKLMNOPQRSTUVWXYZ0123456789&?!,.'

Fuentes resistentes

Posición	Descripción	Material	Características
18	Correa	metaEsteril	
19	Conde	metaEsteril	
20	Aluminio	metaEsteril	
21	Bold	metaEsteril	
22	Ital	metaEsteril	
23	Gara	metaEsteril	
24	tt	metaEsteril	
25	metaEsteril	metaEsteril	
26	Gara	metaEsteril	
27	metaEsteril	metaEsteril	
28	metaEsteril	metaEsteril	
29	Alber	metaEsteril	
30	metaEsteril	metaEsteril	
31	metaEsteril	metaEsteril	
32	metaEsteril	metaEsteril	
33	metaEsteril	metaEsteril	
34	metaEsteril	metaEsteril	

Fuentes residuales

Posición	Nombre de la fuente	Residuo de caracteres
31	Font (Symbol set«Esc»(s1p...re»v0s0b16585T	'ABCDEFGabcde f g 0 1 2 3 4 5 6 7 8 9 & ? ! , '
35	Font (Symbol set«Esc»(s1p...re»v0s3b16585T	'ABCDEFGabcde f g 0 1 2 3 4 5 6 7 8 9 & ? ! , '
37	Font (Symbol set«Esc»(s1p...re»v0s0b16587T	'ABCDEFGabcde f g 0 1 2 3 4 5 6 7 8 9 & ? ! , '
38	Font (Symbol set«Esc»(s1p...re»v0s3b16587T	'ABCDEFGabcde f g 0 1 2 3 4 5 6 7 8 9 & ? ! , '
39	Font (Symbol set«Esc»(s1p...re»v0s0b16602T	'ABCDEFGabcde f g 0 1 2 3 4 5 6 7 8 9 & ? ! , '
40	Font (Symbol set«Esc»(s1p...ze»v0s3b16602T	'ABCDEFGabcde f g 0 1 2 3 4 5 6 7 8 9 & ? ! , '
41	Font (Symbol set«Esc»(s1p...re»v1s0b16602T	'ABCDEFGabcde f g 0 1 2 3 4 5 6 7 8 9 & ? ! , '
42	Font (Symbol set«Esc»(s1p...ze»v1s3b16602T	'ABCDEFGabcde f g 0 1 2 3 4 5 6 7 8 9 & ? ! , '
43	Font (Symbol set«Esc»(s1p...ze»v0s0b16604T	'ABCDEFGabcde f g 0 1 2 3 4 5 6 7 8 9 & ? ! , '
44	Font (Symbol set«Esc»(s1p...ze»v0s3b16604T	'ABCDEFGabcde f g 0 1 2 3 4 5 6 7 8 9 & ? ! , '
45	Font (Symbol set«Esc»(s1p...re»v1s0b16604T	'ABCDEFGabcde f g 0 1 2 3 4 5 6 7 8 9 & ? ! , '
46	Font (Symbol set«Esc»(s1p...ze»v1s3b16604T	'ABCDEFGabcde f g 0 1 2 3 4 5 6 7 8 9 & ? ! , '
47	Font (Symbol set«Esc»(s1p...ze»v0s0b24580T	'ABCDEFGabcde f g 0 1 2 3 4 5 6 7 8 9 & ? ! , '
48	Font (Symbol set«Esc»(s1p...re»v0s3b24580T	'ABCDEFGabcde f g 0 1 2 3 4 5 6 7 8 9 & ? ! , '
49	Font (Symbol set«Esc»(s1p...re»v1s0b24580T	'ABCDEFGabcde f g 0 1 2 3 4 5 6 7 8 9 & ? ! , '
50	Font (Symbol set«Esc»(s1p...ze»v1s3b24580T	'ABCDEFGabcde f g 0 1 2 3 4 5 6 7 8 9 & ? ! , '
51	Font (Symbol set«Esc»(s1p...re»v4s0b24580T	'ABCDEFGabcde f g 0 1 2 3 4 5 6 7 8 9 & ? ! , '

Fuentes incluidas

Posición	Nombre de la fuente	Caracteres de la fuente
66	Times Ten Schoolbook Italic set«Esc»(s1p«size»v1s0b24703T	A B C D E F G a b c d e f g 0 1 2 3 4 5 6 7 8 9 & ? ! , ' .
67	Times Ten Schoolbook Bold Italic set«Esc»(s1p«size»v1s3b24703T	A B C D E F G a b c d e f g 0 1 2 3 4 5 6 7 8 9 & ? ! , ' .
68	Times Ten set«Esc»(s1p«size»v0s0b25093T	A B C D E F G a b c d e f g 0 1 2 3 4 5 6 7 8 9 & ? ! , ' .
69	Times Ten Bold set«Esc»(s1p«size»v0s3b25093T	A B C D E F G a b c d e f g 0 1 2 3 4 5 6 7 8 9 & ? ! , ' .
70	Times Ten Italic set«Esc»(s1p«size»v1s0b25093T	A B C D E F G a b c d e f g 0 1 2 3 4 5 6 7 8 9 & ? ! , ' .
71	Times Ten Bold Italic set«Esc»(s1p«size»v1s3b25093T	A B C D E F G a b c d e f g 0 1 2 3 4 5 6 7 8 9 & ? ! , ' .
72	Times Tenery Medium Italic set«Esc»(s1p«size»v1s0b45099T	A B C D E F G a b c d e f g 0 1 2 3 4 5 6 7 8 9 & ? ! , ' .
73	Times Tenery set«Esc»(s1p«size»v0s0b16686T	A B C D E F G a b c d e f g 0 1 2 3 4 5 6 7 8 9 & ? ! , ' .
74	Times Tenery Italic set«Esc»(s1p«size»v1s0b16686T	A B C D E F G a b c d e f g 0 1 2 3 4 5 6 7 8 9 & ? ! , ' .
75	Times Tenery Bold set«Esc»(s1p«size»v0s3b16686T	A B C D E F G a b c d e f g 0 1 2 3 4 5 6 7 8 9 & ? ! , ' .
76	Times Tenery Bold Italic set«Esc»(s1p«size»v1s3b16686T	A B C D E F G a b c d e f g 0 1 2 3 4 5 6 7 8 9 & ? ! , ' .
77	Times Tenery Italic set«Esc»(s1p«size»v1s0b16686T	A B C D E F G a b c d e f g 0 1 2 3 4 5 6 7 8 9 & ? ! , ' .
78	Times Tenery Bold Italic set«Esc»(s1p«size»v1s3b16686T	A B C D E F G a b c d e f g 0 1 2 3 4 5 6 7 8 9 & ? ! , ' .
79	Times Tenery Italic set«Esc»(s1p«size»v1s0b16686T	A B C D E F G a b c d e f g 0 1 2 3 4 5 6 7 8 9 & ? ! , ' .
80	Times Tenery Bold Italic set«Esc»(s1p«size»v1s3b16686T	A B C D E F G a b c d e f g 0 1 2 3 4 5 6 7 8 9 & ? ! , ' .
81	Times Tenery Italic set«Esc»(s1p«size»v1s0b16686T	A B C D E F G a b c d e f g 0 1 2 3 4 5 6 7 8 9 & ? ! , ' .
82	Times Tenery Bold Italic set«Esc»(s1p«size»v1s3b16686T	A B C D E F G a b c d e f g 0 1 2 3 4 5 6 7 8 9 & ? ! , ' .
83	Times Tenery Italic set«Esc»(s1p«size»v1s0b16686T	A B C D E F G a b c d e f g 0 1 2 3 4 5 6 7 8 9 & ? ! , ' .
84	Times Tenery Bold Italic set«Esc»(s1p«size»v1s3b16686T	A B C D E F G a b c d e f g 0 1 2 3 4 5 6 7 8 9 & ? ! , ' .
85	Times Tenery Italic set«Esc»(s1p«size»v1s0b16686T	A B C D E F G a b c d e f g 0 1 2 3 4 5 6 7 8 9 & ? ! , ' .
86	Times Tenery Bold Italic set«Esc»(s1p«size»v1s3b16686T	A B C D E F G a b c d e f g 0 1 2 3 4 5 6 7 8 9 & ? ! , ' .
87	Times Tenery Italic set«Esc»(s1p«size»v1s0b16686T	A B C D E F G a b c d e f g 0 1 2 3 4 5 6 7 8 9 & ? ! , ' .
88	Times Tenery Bold Italic set«Esc»(s1p«size»v1s3b16686T	A B C D E F G a b c d e f g 0 1 2 3 4 5 6 7 8 9 & ? ! , ' .
89	Times Tenery Italic set«Esc»(s1p«size»v1s0b16686T	A B C D E F G a b c d e f g 0 1 2 3 4 5 6 7 8 9 & ? ! , ' .
90	Times Tenery Bold Italic set«Esc»(s1p«size»v1s3b16686T	A B C D E F G a b c d e f g 0 1 2 3 4 5 6 7 8 9 & ? ! , ' .
91	Times Tenery Italic set«Esc»(s1p«size»v1s0b16686T	A B C D E F G a b c d e f g 0 1 2 3 4 5 6 7 8 9 & ? ! , ' .
92	Times Tenery Bold Italic set«Esc»(s1p«size»v1s3b16686T	A B C D E F G a b c d e f g 0 1 2 3 4 5 6 7 8 9 & ? ! , ' .
93	Times Tenery Italic set«Esc»(s1p«size»v1s0b16686T	A B C D E F G a b c d e f g 0 1 2 3 4 5 6 7 8 9 & ? ! , ' .
94	Times Tenery Bold Italic set«Esc»(s1p«size»v1s3b16686T	A B C D E F G a b c d e f g 0 1 2 3 4 5 6 7 8 9 & ? ! , ' .
95	Times Tenery Italic set«Esc»(s1p«size»v1s0b16686T	A B C D E F G a b c d e f g 0 1 2 3 4 5 6 7 8 9 & ? ! , ' .
96	Times Tenery Bold Italic set«Esc»(s1p«size»v1s3b16686T	A B C D E F G a b c d e f g 0 1 2 3 4 5 6 7 8 9 & ? ! , ' .
97	Times Tenery Italic set«Esc»(s1p«size»v1s0b16686T	A B C D E F G a b c d e f g 0 1 2 3 4 5 6 7 8 9 & ? ! , ' .
98	Times Tenery Bold Italic set«Esc»(s1p«size»v1s3b16686T	A B C D E F G a b c d e f g 0 1 2 3 4 5 6 7 8 9 & ? ! , ' .
99	Times Tenery Italic set«Esc»(s1p«size»v1s0b16686T	A B C D E F G a b c d e f g 0 1 2 3 4 5 6 7 8 9 & ? ! , ' .
100	Times Tenery Bold Italic set«Esc»(s1p«size»v1s3b16686T	A B C D E F G a b c d e f g 0 1 2 3 4 5 6 7 8 9 & ? ! , ' .

Fuentes

Posición	Descripción	Código	Cantidad	Valor
86
87
88
89
90
91
92
93
93

Lista de fuentes PostScript

Fuentes internas:

AlbertusMT	ABCDEF abcdefg 0123456789 &?@.
AlbertusMT-Italic	ABCDEF abcdefg 0123456789 &?@.
AlbertusMT-Light	ABCDEF abcdefg 0123456789 &?@.
AntiqueOlive-Bold	ABCDEF abcdefg 0123456789 &?@.
AntiqueOlive-Compact	ABCDEF abcdefg 0123456789 &?@.
AntiqueOlive-Italic	ABCDEF abcdefg 0123456789 &?@.
AntiqueOlive-Roman	ABCDEF abcdefg 0123456789 &?@.
Apple-Chancery	ABCDEF abcdefg 0123456789 &?@.
Arial-BoldItalicMT	ABCDEF abcdefg 0123456789 &?@.
Arial-BoldMT	ABCDEF abcdefg 0123456789 &?@.
Arial-ItalicMT	ABCDEF abcdefg 0123456789 &?@.
ArialMT	ABCDEF abcdefg 0123456789 &?@.
AvantGarde-Book	ABCDEF abcdefg 0123456789 &?@.
AvantGarde-BookOblique	ABCDEF abcdefg 0123456789 &?@.
AvantGarde-Demi	ABCDEF abcdefg 0123456789 &?@.
AvantGarde-DemiOblique	ABCDEF abcdefg 0123456789 &?@.
Bodoni	ABCDEF abcdefg 0123456789 &?@.
Bodoni-Bold	ABCDEF abcdefg 0123456789 &?@.
Bodoni-BoldItalic	ABCDEF abcdefg 0123456789 &?@.
Bodoni-Italic	ABCDEF abcdefg 0123456789 &?@.
Bodoni-Poster	ABCDEF abcdefg 0123456789 &?@.
Bodoni-PosterCompressed	ABCDEF abcdefg 0123456789 &?@.
Bookman-Demi	ABCDEF abcdefg 0123456789 &?@.
Bookman-DemiItalic	ABCDEF abcdefg 0123456789 &?@.
Bookman-Light	ABCDEF abcdefg 0123456789 &?@.
Bookman-LightItalic	ABCDEF abcdefg 0123456789 &?@.
Carta	ABCDEF abcdefg 0123456789 &?@.
Chicago	ABCDEF abcdefg 0123456789 &?@.
Clarendon	ABCDEF abcdefg 0123456789 &?@.
Clarendon-Bold	ABCDEF abcdefg 0123456789 &?@.
Clarendon-Light	ABCDEF abcdefg 0123456789 &?@.
CooperBlack	ABCDEF abcdefg 0123456789 &?@.
CooperBlack-Italic	ABCDEF abcdefg 0123456789 &?@.
Copperplate-ThirtyThreeBC	ABCDEF abcdefg 0123456789 &?@.
Copperplate-ThirtyTwoBC	ABCDEF abcdefg 0123456789 &?@.
Cryptonet-Regular	ABCDEF abcdefg 0123456789 &?@.
Courier	ABCDEF abcdefg 0123456789 &?@.
Courier-Bold	ABCDEF abcdefg 0123456789 &?@.
Courier-BoldOblique	ABCDEF abcdefg 0123456789 &?@.
Courier-Oblique	ABCDEF abcdefg 0123456789 &?@.
Eurostile	ABCDEF abcdefg 0123456789 &?@.
Eurostile-Bold	ABCDEF abcdefg 0123456789 &?@.
Eurostile-BoldExtendedTwo	ABCDEF abcdefg 0123456789 &?@.
Eurostile-ExtendedTwo	ABCDEF abcdefg 0123456789 &?@.
Geneva	ABCDEF abcdefg 0123456789 &?@.
GillSans	ABCDEF abcdefg 0123456789 &?@.
GillSans-Bold	ABCDEF abcdefg 0123456789 &?@.
GillSans-BoldCondensed	ABCDEF abcdefg 0123456789 &?@.
GillSans-BoldItalic	ABCDEF abcdefg 0123456789 &?@.
GillSans-Condensed	ABCDEF abcdefg 0123456789 &?@.
GillSans-ExtraBold	ABCDEF abcdefg 0123456789 &?@.
GillSans-Italic	ABCDEF abcdefg 0123456789 &?@.
GillSans-Light	ABCDEF abcdefg 0123456789 &?@.
GillSans-LightItalic	ABCDEF abcdefg 0123456789 &?@.
Goudy	ABCDEF abcdefg 0123456789 &?@.
Goudy-Bold	ABCDEF abcdefg 0123456789 &?@.
Goudy-BoldItalic	ABCDEF abcdefg 0123456789 &?@.
Goudy-ExtraBold	ABCDEF abcdefg 0123456789 &?@.
Goudy-Italic	ABCDEF abcdefg 0123456789 &?@.
GreekMono737	ABCDEF abcdefg 0123456789 &?@.
GreekMono737-Bold	ABCDEF abcdefg 0123456789 &?@.
GreekMono737-BoldItalic	ABCDEF abcdefg 0123456789 &?@.
GreekMono737-Italic	ABCDEF abcdefg 0123456789 &?@.
GreekMono851	ABCDEF abcdefg 0123456789 &?@.

