

# Billing Summary

## System Information

Machine Name:	Xerox AltaLink C8235 Color MFP (A2:6...	<b>Software Versions</b>	
Machine Serial Number:	ZRG689004	Device Software:	122.038.005.01730
Power On Impressions:	70	Patch Version:	None
		Network Controller:	122.038.01730
		UI Panel Firmware:	003.004.00000
		Marking Engine:	030.045.000
		Document Feeder:	023.026.000
		Finisher:	000.000.000
		Fax:	000.000.000
		Scanner:	017.024.012

## Billing Meters

<b>Fax</b>		Plain Paper:	775
Embedded Fax Images Sent:	0	Heavyweight Gloss Reload:	4
Embedded Fax Impressions:	0		
<b>Copy</b>			
Black Copied Impressions:	221		
Color Copied Impressions:	23		
<b>Print</b>			
Black Printed Impressions:	151		
Color Printed Impressions:	606		
<b>Scan</b>			
Network Scanning Images Sent:	769		
E-mail Images Sent:	1		

## Device Totals

Black Impressions:	380
Color Impressions:	629
Total Impressions:	1009



# Supplies Usage

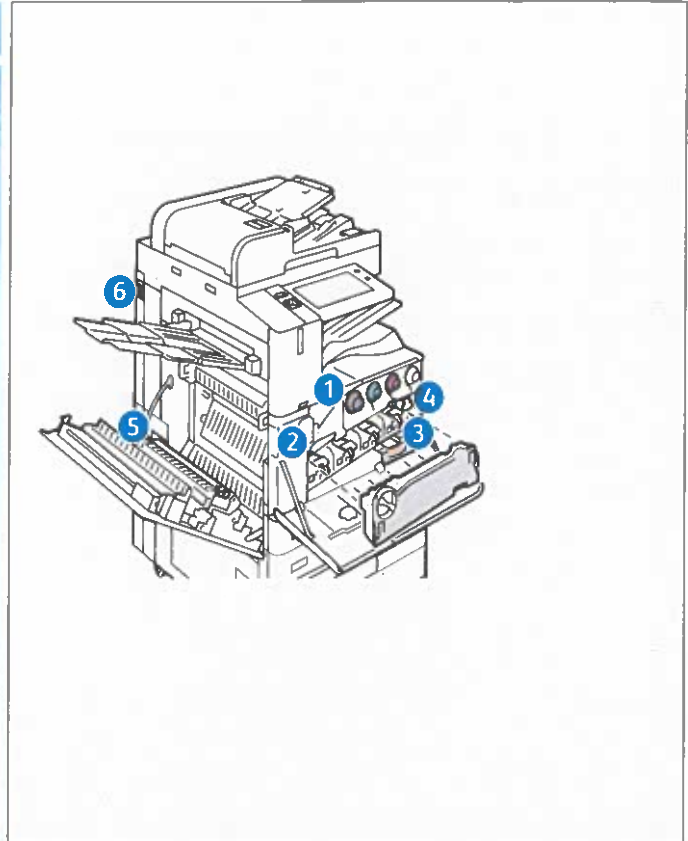
Supplies ordering information is located at [www.xerox.com/office/supplies](http://www.xerox.com/office/supplies)

## Consumables

### 1 Toner Cartridges



<p><b>Black</b></p> <p>Date Installed: Jan 9, 2021                  Reorder: 006R01742                  Estimated Pages Remaining: 28500                  (Based upon this toner cartridge's average coverage: 3%)</p>	<p>Life Remaining</p>
<p><b>Cyan</b></p> <p>Date Installed: Jan 9, 2021                  Reorder: 006R01743                  Estimated Pages Remaining: 12000                  (Based upon this toner cartridge's average coverage: 0%)</p>	<p>Life Remaining</p>
<p><b>Magenta</b></p> <p>Date Installed: Dec 30, 2024                  Reorder: 006R01744                  Estimated Pages Remaining: 500                  (Based upon this toner cartridge's average coverage: 0%)</p>	<p>Life Remaining</p>
<p><b>Yellow</b></p> <p>Date Installed: Jan 9, 2021                  Reorder: 006R01745                  Estimated Pages Remaining: 13500                  (Based upon this toner cartridge's average coverage: 0%)</p>	<p>Life Remaining</p>



## Routine Maintenance Items

### 2 Drum Cartridge



<p><b>Black (R1)</b></p> <p>Date Installed: Sep 19, 2022                  Reorder: 013R00681                  Estimated Pages Remaining: 54000                  (Based on average printer job size: 1 Pages)</p>	<p>Life Remaining</p>
<p><b>Cyan (R2)</b></p> <p>Date Installed: Mar 10, 2023                  Reorder: 013R00681                  Estimated Pages Remaining: 135500                  (Based on average printer job size: 1 Pages)</p>	<p>Life Remaining</p>
<p><b>Magenta (R3)</b></p> <p>Date Installed: Jan 3, 2021                  Reorder: 013R00681                  Estimated Pages Remaining: 175500                  (Based on average printer job size: 1 Pages)</p>	<p>Life Remaining</p>
<p><b>Yellow (R4)</b></p> <p>Date Installed: Mar 10, 2023                  Reorder: 013R00681                  Estimated Pages Remaining: 135500                  (Based on average printer job size: 1 Pages)</p>	<p>Life Remaining</p>

### 3 Waste Container



Date Installed: Dec 24, 2024  
 Reorder: 008R08101

OK

### 4 Transfer Belt Cleaner



Date Installed: Jan 20, 2025  
 Reorder: 001R00623  
 Estimated Pages Remaining: 160000



### 5 Second Bias Transfer Roller



Date Installed: Dec 24, 2024  
 Reorder: 008R08103  
 Estimated Pages Remaining: 359000



Recycling information is located at: [www.xerox.com/gwa](http://www.xerox.com/gwa)



**Common User Data**

Machine Name: Xerox AltaLink C8235 Color MFP (A2:6...  
 IP Address: 10.61.16.28  
 Machine Serial Number: ZRG689004  
 Fax Line1:  
 Machine URL: https://10.61.16.28  
 Machine Activation Date: Dec 24, 2024 05:49:27  
 Black Impressions: 382  
 Color Impressions: 632  
 Total Impressions: 1014

**Machine Profile**

Xerox Asset Tag:  
 Customer Asset Tag:  
 Service Phone Number:  
 Customer Support Number:  
 Supplies Phone Number:  
 System Administrator: System Administrator name not set  
 Machine Location: machine location not set  
**Managed By**  
 Primary MB Server:

**Machine Hardware**

Fax Card: Not Present  
 Fax Memory Size: 0 MB  
 Foreign Interface Card: not present  
 Device RAM Size: 4096 MB  
 Device Storage Size: used=3351MB/total=256060MB (SSD)  
 EPC Memory Size: 900 MB  
 Finisher Type: Offsetting Catch Tray  
 Finisher Punch: None  
 Finisher Folder: not present  
 Multi-feed Detection Kit: Not Installed

**General Setup**

Remote Services: Enabled  
 Remote Software Download: Enabled  
 Remote Services Trans. Time: 23:24  
 Xerox Workplace Cloud: Disabled  
 E-mail Alerts: Disabled  
 Service Plan: Metered  
 Billing Impression Mode: A3 Impressions  
 Geographic Region: unknown  
 GMT Offset: +05:30  
 Cloning Installation: Allowed (Encrypted Files Only)  
 File Sharing: Enabled  
 JBIG2: Lossless

**Energy Saver**

Deep Sleep: Enabled  
 Energy Saver Mode: Job Activated

**Smart Proximity Sensor**

Wake on Arrival: Enabled  
 Sleep on Departure: Disabled

**Software Versions**

Device Software: 122.038.005.01730  
 Patch Version: None  
 Network Controller: 122.038.01730  
 UI Panel Firmware: 003.004.00000  
 Marking Engine: 030.045.000  
 Document Feeder: 023.026.000  
 Finisher: 000.000.000  
 Fax: 000.000.000  
 Scanner: 017.024.012  
**Machine Upgrades:**  
 Last Successful Upgrade: January 20, 2025 16:27:50

**Media Trays**

Tray 1: Plain, White and A4 (210 x 297 mm)  
 Tray 2: Plain, White and A4 (210 x 297 mm)  
 Tray 3: Plain, White and A4 (210 x 297 mm)  
 Tray 4: Plain, White and A4 (210 x 297 mm)  
 Bypass Tray: Plain, White and 8 x 10"

**Installed Options**

PS: Installed

**Connectivity**

**Mobile Workflows**

AirPrint Printing: Enabled  
 Mopria Printing: Enabled  
 AirPrint / Mopria Scanning: Enabled  
 Authentication Required: Disabled

**Physical Connections**

**USB Settings**  
 USB Type A Ports: All Enabled  
 USB Type B Port: Enabled

**Wired:**

Ethernet MAC Address: 9c:93:4e:a2:6e:c3  
 Ethernet Speed/Duplex Setting: auto  
 Disabled

**Wireless:**

Wireless MAC Address:

Network Name (SSID):

BSSID:

Security Mode:

Encryption Algorithm:

Status:

**Wi-Fi Direct:**

Wireless Hardware: Enabled  
 Not Installed

Wi-Fi Protected Setup (WPS) Name:

Access Point (SSID):

Show Password on Device Touch Screen:

**NFC:**

iBeacon (Bluetooth®) for AirPrint Di...: Enabled  
 iBeacon Hardware: Enabled  
 Bluetooth Device Address: Not Installed  
 iBeacon IP Address:

**Protocols**

**TCP/IP v4:**

IP Address: Enabled  
 10.61.16.28  
 Subnet Mask: 255.255.255.0  
 Router/Gateway: 10.61.16.1  
 Automatic Addressing: DHCP  
 DHCP Server: 10.61.13.223  
 DHCP Lease Expiration: Fri Jan 31 12:14:47 2025  
 BOOTP Broadcast: Disabled  
 Self Assigned Address State: Enabled  
 Self Assigned Address:

**TCP/IP v6:**

Link Local Address: Enabled  
 fe80::9e93:4eff:fea2:6ec3  
 Use Router Supplied Prefix: Enabled  
 Stateless Global Address 1: fd00:0:2:116:9e93:4eff:fea2:6ec3  
 Stateless Global Address 2: ::  
 Manual Address:  
 DHCP Addressing: Use DHCP as directed by a router  
 DHCP Address:  
 Default Gateway: fe80::8afc:5dff:fe75:e282  
 DUID (DHCP Unique Identifier):

**DNS Settings:**

Requested Host Name: XRX9C934EA26EC3  
 Verified Host Name:  
 Requested Domain Name:  
 Verified Domain Name:  
 Multicast DNS: Enabled  
 Release DHCP Leases and DNS Registrati...: Disabled  
 Primary DNS Server: 10.61.7.15  
 Prefer IPv6 DNS over IPv4: Enabled

**Bonjour:**

Bonjour Printer Name: Xerox AltaLink C8235 Color MFP (A2:6...

**HTTP:**

Force Traffic over Secure Connection (H...: Enabled  
 IPP: Yes  
 Enabled

**SNMP**

SNMP v1/v2: Enabled  
 SNMP v3: Disabled

**LPR/LPD:**

Enabled

**Raw IP Printing:**

**LDAP**

LDAP Server 1 Primary LDAP Address: 0.0.0.0:389  
 LDAP Server 1 Search Directory Root:  
 LDAP Server 1 Secure Connection (LDA...: Disabled  
 LDAP Server 1 Validate Server Certificate...: Disabled

**SMTP**

SMTP Server: 0.0.0.0:25  
 Connect Encryption (TLS): No Encryption  
 Validate Server Certificate (TLS):

**Protocols (cont.)**

<b>POP3</b>	
POP3 Server:	0.0.0.0:110
POP3 Secure Connection (TLS):	Disabled
E-mail Address:	
<b>NTP:</b>	Disabled
<b>FTP Client:</b>	Enabled
FTP Client Mode:	Passive
<b>Web Services on Device:</b>	Enabled

**Apps****Printing**

Banner Sheet:	Enabled
Error Sheets:	Enabled
Paper Substitution:	Enabled
Tray Priority:	1,2,3,4,5
<b>PostScript</b>	Installed
Level:	3
Version:	3021 101
<b>PCL</b>	
Version:	6
Font Name:	Courier
<b>Custom Color Tables</b>	Enabled
Label:	Not Installed
<b>Fax:</b>	Not Present

<b>Server Fax:</b>	Enabled
Repository Protocol:	FTP
Repository Server:	10.61.23.93:21
Repository Document Path:	\
<b>Workflow Scanning:</b>	Enabled

<b>Email:</b>	Enabled
<b>Scan to Mailbox:</b>	Enabled
Storage Capacity (MB):	46924 MB
Storage Used (MB):	2464 MB
Cleanup of Public Folders:	Enabled
Cleanup of Created Folders:	Enabled
Cleanup Time:	Daily
<b>Scan to Home:</b>	Disabled
<b>Scan To:</b>	Enabled
Cloud Services:	Disabled
<b>Print From:</b>	Enabled
Saved Jobs for Reprint:	Enabled
Print From USB:	Enabled
Print From MailBox:	Disabled
Cloud Services:	Disabled

**Accounting**

Accounting Mode:	None
Network Accounting:	Disabled

**Security****Authentication Configuration**

<b>Machine UI Authentication:</b>	Locally on the Device
Home:	Unlocked
Jobs:	Unlocked
Device:	Unlocked
<b>Device Website Authentication:</b>	Locally on the Device
Authorization:	Locally on the Device
Retrieve E-mail from LDAP:	Enabled
<b>Authentication Server:</b>	Kerberos
<b>Xerox Secure Access:</b>	Disabled
<b>Audit Log:</b>	Enabled
<b>IP Sec:</b>	Disabled
<b>IP Filtering:</b>	Disabled

**Security Certificates**

Machine Certificate:	Signed
Root Certificates Installed:	56
<b>802.1x:</b>	Disabled

**Job Data Removal:**

Scheduled:	Disabled
<b>FIPS 140-3:</b>	Disabled

<b>TLS:</b>	TLS 1.1 and TLS 1.2
-------------	---------------------

TLS Hash:	SHA-1, SHA-256 and above
<b>Trellix Embedded Control:</b>	Enhanced Security

**Common User Data**

Machine Name: Xerox AltaLink C8235 Color MFP (A2:6...  
 IP Address: 10.61.16.28  
 Machine Serial Number: ZRG689004  
 Fax Line1:  
 Machine URL: https://10.61.16.28  
 Machine Activation Date: Dec 24, 2024 05:49:27  
 Black Impressions: 380  
 Color Impressions: 631  
 Total Impressions: 1011

**Machine Profile**

Xerox Asset Tag:  
 Customer Asset Tag:  
 Service Phone Number:  
 Customer Support Number:  
 Supplies Phone Number:  
 System Administrator: System Administrator name not set  
 Machine Location: machine location not set  
**Managed By**  
 Primary MB Server:

**Machine Hardware**

Fax Card: Not Present  
 Fax Memory Size: 0 MB  
 Foreign Interface Card: not present  
 Device RAM Size: 4096 MB  
 Device Storage Size: used=3350MB/total=256060MB (SSD)  
 EPC Memory Size: 900 MB  
 Finisher Type: Offsetting Catch Tray  
 Finisher Punch: None  
 Finisher Folder: not present  
 Multi-feed Detection Kit: Not Installed

**General Setup**

Remote Services: Enabled  
 Remote Software Download: Enabled  
 Remote Services Trans. Time: 23:24  
 Xerox Workplace Cloud: Disabled  
 E-mail Alerts: Disabled  
 Service Plan: Metered  
 Billing Impression Mode: A3 Impressions  
 Geographic Region: unknown  
 Startup Config Report: Enabled  
 GMT Offset: +05:30  
 Cloning Installation: Allowed (Encrypted Files Only)  
 Allow Print Submission of Clone Files: Enabled  
 File Sharing: Enabled  
 JBIG2: Lossless  
**Energy Saver**  
 Deep Sleep: Enabled  
 Energy Saver Mode: Job Activated  
 Sleep Mode Timer: 80 minutes  
 Auto-Off: Disabled

**Smart Proximity Sensor**

Wake on Arrival: Enabled  
 Sleep on Departure: Disabled  
 Maximize Detection Range: Disabled

**Software Versions**

Device Software: 122.038.005.01730  
 Patch Version: None  
 Network Controller: 122.038.01730  
 UI Panel Firmware: 003.004.00000  
 User Interface: 122.038.01730  
 Marking Engine: 030.045.000  
 Copy Controller: 122.038.01730  
 Document Feeder: 023.026.000  
 Finisher: 000.000.000  
 Fax: 000.000.000  
 OS: 122.005.01600  
 Scanner: 017.024.012  
 Software Upgrade: 122.038.01730  
 Tray 2:  
 Tray 3:  
 Tray 4:

**Machine Upgrades:**

Allowed  
 Last Successful Upgrade: January 20, 2025 16:27:50  
 Scheduled Auto Upgrades: Disabled  
 Auto Upgrade Start Time: Daily  
 Auto Upgrade Server: 0.0.0.21

**Media Trays**

Tray 1: Plain, White and A4 (210 x 297 mm)  
 Tray 2: Plain, White and A4 (210 x 297 mm)  
 Tray 3: Plain, White and A4 (210 x 297 mm)  
 Tray 4: Plain, White and A4 (210 x 297 mm)  
 Bypass Tray: Plain, White and 8 x 10"

**Connectivity**

**Mobile Workflows**

AirPrint Printing: Enabled  
 Mopria Printing: Enabled  
 AirPrint / Mopria Scanning: Enabled  
 Authentication Required: Disabled  
 Universal Print: Disabled  
 Universal Print Registration Status: Not Registered

**Physical Connections**

**USB Settings**

USB Type A Ports: All Enabled  
 USB Type B Port: Enabled  
 Connection Timeout: 5 seconds

**Wired:**

Ethernet MAC Address: 9c:93:4e:a2:6e:c3  
 Ethernet Speed/Duplex Setting: auto

**Wireless:**

Wireless MAC Address:  
 Network Name (SSID):  
 BSSID:  
 Security Mode:  
 Encryption Algorithm:  
 Status:  
 Wi-Fi Direct: Enabled

**Wi-Fi Direct:**

Wireless Hardware: Not Installed  
 Wi-Fi Protected Setup (WPS) Name:  
 Connection Method:  
 Subnet Prefix Address:  
 Access Point (SSID):  
 Show Password on Device Touch Screen:

**NFC:**

iBeacon (Bluetooth®) for AirPrint Di...: Enabled  
 iBeacon Hardware: Enabled  
 Bluetooth Device Address: Not Installed  
 iBeacon IP Address:

**Protocols**

**TCP/IPV4:**

IP Address: Enabled  
 10.61.16.28  
 Subnet Mask: 255.255.255.0  
 Router/Gateway: 10.61.16.1  
 Automatic Addressing: DHCP  
 DHCP Server: 10.61.13.223  
 DHCP Lease Expiration: Fri Jan 31 12:14:47 2025  
 BOOTP Broadcast: Disabled  
 Self Assigned Address State: Enabled  
 Self Assigned Address:

**TCP/IPV6:**

Link Local Address: Enabled  
 fe80::9e93:4eff:fea2:6ec3  
 Use Router Supplied Prefix: Enabled  
 Stateless Global Address 1: fd00:0:2:116:9e93:4eff:fea2:6ec3  
 Stateless Global Address 2: ::  
 Manual Address:  
 DHCP Addressing: Use DHCP as directed by a router  
 DHCP Address:  
 Default Gateway: fe80::8afc:5dff:fe75:e282  
 DUID (DHCP Unique Identifier):

**DNS Settings:**

Requested Host Name: XRX9C934EA26EC3  
 Verified Host Name:  
 Requested Domain Name:  
 Verified Domain Name:  
 Multicast DNS: Enabled  
 Release DHCP Leases and DNS Registrati...: Disabled  
 Primary DNS Server: 10.61.7.15  
 Alternate DNS Server 1: 10.61.10.6  
 Alternate DNS Server 2: ::  
 DNS Connection Timeout: 5  
 Append Device Domain: Enabled  
 Append Parent Domains: Disabled  
 DNS Domain Search List: XEROXQA.COM  
 Prefer IPv6 DNS over IPv4: Enabled

**Installed Options**

PS: Installed

**Protocols (cont.)**

**Bonjour:**  
 Bonjour Printer Name: Xerox AltaLink C8235 Color MFP (A2.6)

**HTTP:**  
 Port Number: 80  
 Force Traffic over Secure Connection (H...): Yes  
 Secure HTTP Port Number: 443  
 Proxy Server: Manual  
 Proxy Server Address: 10.177.8.91:8080  
 IPP: Enabled  
 Secure IPP Mode: IPP and Secure IPPs  
 IPP Network Path: http://10.61.16.28:631

**SNMP:**  
 SNMP v1/v2: Enabled  
 SNMP v3: Disabled

**LPR/LPD:**  
 Port Number: 515  
 PDL Switching: Disabled  
 PDL Banner Override: Disabled

**Raw IP Printing:**  
 Port Number 1: Enabled  
 Bidirectional: Disabled  
 End of Job Timeout: 300  
 PDL Switching: Disabled

**LDAP:**  
 LDAP Server 1 Friendly Name:  
 LDAP Server 1 Primary LDAP Address: 0.0.0.0:389  
 LDAP Server 1 Alternate LDAP Address: 0.0.0.0:389  
 LDAP Server 1 Search Directory Root:  
 LDAP Server 1 Secure Connection (LDA...): Disabled  
 LDAP Server 1 Validate Server Certificate: Disabled

**SMTP:**  
 SMTP Server: 0.0.0.0:25  
 Connect Encryption (TLS): No Encryption  
 Validate Server Certificate (TLS):  
 Max Message Size (KB): 10240  
 Number of Fragments: 1  
 Total Job Size (KB): 300000  
 Job Splitting Boundary: Page Boundary  
 Credentials for Auto E-mails: None  
 Credentials for Walkup User: None

**POP3:**  
 POP3 Server: 0.0.0.0:110  
 POP3 Secure Connection (TLS): Disabled  
 E-mail Address:  
 Receipt of E-mail via POP3: Disabled  
 Send Confirmation Request: Enabled  
 Incoming E-mail cover sheet: Enabled

**NTP:**  
 Primary Server: 0.0.0.0:123  
 Alternate Server: 0.0.0.0:123

**SLP:**  
 Disabled

**FTP Client:**  
 FTP Client Mode: Passive

**Web Services on Device:**  
 WS-Discovery: Enabled  
 WS-Discovery Multicast: Enabled  
 WS-Print: Enabled  
 WS-Scan: Enabled

**Web Services:**  
 Copy Submission: Enabled  
 Digital Certificate Management and Secur...: Enabled  
 Extensible Service Registration: Enabled  
 Job Limits: Enabled  
 Job Management Extension: Enabled  
 Device Configuration: Enabled  
 Scan Submission: Enabled  
 Scan Workflow Management: Enabled  
 Session Data: Enabled  
 User Interface Configuration: Enabled  
 EIP Proxy Configuration: Enabled  
 Xerox Secure Access: Disabled  
 EIP SNMP Configuration: Enabled  
 Print Submission: Enabled  
 Scan Template Mgmt: Enabled  
 Mass Storage Access: Enabled  
 Card Reader Access: Enabled  
 Authentication & Accounting Configur...: Enabled  
 Export Audit Log: Enabled  
 Trellix Embedded Control: Enabled

**Apps**

**Printing**

Banner Sheet: Enabled  
 Sys/Start Job: Disabled  
 Delete Held Jobs After: 3 Day(s) 0 Hour(s) 0 Minute(s)  
 Error Sheets: Enabled  
 Paper Substitution: Enabled  
 Tray Priority: 1,2,3,4,5  
 Default Copies: 1  
 Default Job Type: Normal Print  
 Default Paper Size: x=8.50 inches, y=11.00 inches  
 Default Paper Color: White  
 Default 2 Sided Printing: 1 Sided  
 Default Output Tray: Main Tray  
 Default Output Color: Color  
 Default Collated Sets: Enabled  
 Default Stapling: Not Available  
 Offsetting Between Jobs: Offset Between Jobs  
 PostScript Level: Installed  
 Version: 3  
 Image Quality: 3021.101  
 Standard

**PCL**

Version: 6  
 Pitch Size: 10.00  
 Point Size: 12.00  
 Font Name: Courier  
 Lines Per Page: 60

**Custom Color Tables**

Label: Enabled  
 Not Installed  
 Not Present

**Fax:**

Fax Line 1:  
 Fax Line 2:

**Server Fax:**

Confirmation Sheet: Enabled  
 Delay Start: On  
 Repository Protocol: Disabled  
 Repository Server: FTP  
 Repository Document Path: 10.61.23.93:21  
 1

**Workflow Scanning:**

Confirmation Sheet: Enabled  
 Errors Only  
 Default Repository Protocol: FTP  
 Default Repository Server: 0.0.0.0  
 Default Repository Document Path:  
 Default Repository Login Credentials: Device  
 Alt1 Repository Protocol: FTP  
 Alt1 Repository Server: 0.0.0.0  
 Alt1 Repository Document Path:  
 Alt1 Repository Login Credentials: Device  
 Workflow Pool Protocol: FTP  
 Workflow Pool Server: 0.0.0.0  
 Workflow Pool Path:

**Email:**

Default From Address:  
 Confirmation Sheet: Errors Only  
 Auto Send to Self: Disabled  
 E-mail Security: Disabled

**Scan to Mailbox:**

View Mailboxes by Default: Enabled  
 Storage Capacity (MB): 46924 MB  
 Storage Used (MB): 2464 MB  
 Cleanup of Public Folders: Enabled  
 Cleanup of Created Folders: Enabled  
 Cleanup Time: Daily  
 Disabled

**Scan to Home:**

Friendly Name:  
 Workflow Name:  
 Auto Create Subdir: Disabled  
 Append User Name to Path: Disabled  
 Auto Create User Name Dir: Disabled

**Scan To:**

Cloud Services: Enabled

**Print From:**

Cloud Services: Enabled  
 Saved Jobs for Reprint: Enabled  
 Print From USB: Enabled  
 Print From MailBox: Disabled  
 Cloud Services: Disabled

**Accounting**

Accounting Mode: None  
 Network Accounting: Disabled

**Security****Authentication Configuration**

Machine UI Authentication: Locally on the Device  
 Home: Unlocked  
 Jobs: Unlocked  
 Device: Unlocked  
 Device Website Authentication: Locally on the Device  
 Authorization: Locally on the Device  
 Retrieve E-mail from LDAP: Enabled

**Authentication Server:**

Kerberos: Kerberos  
 Kerberos Primary Realm:  
 Kerberos Primary Address: 0.0.0.88  
 Kerberos Alt 1 Realm:  
 Kerberos Alt 1 Address: 0.0.0.88  
 SMB NT Domain:  
 SMB Alt 1 NT Domain:  
 Smartcard Ctrl Server: 0.0.0.443  
 Smartcard Ctrl Domain:  
 SmartCard OCSP URL:  
 Card Reader Upgrade Policy: Enabled  
 Card Reader Firmware Version:

**Xerox Secure Access:**

Secure Access Server: Disabled  
 Secure Access Path: 0.0.0.443

Audit Log: Enabled

IP Sec: Disabled

IP Filtering: Disabled

**Security Certificates**

Machine Certificate: Signed  
 Root Certificates Installed: 56

802.1x: Disabled

**Job Data Removal:**

Scheduled: Disabled  
 Scheduled Frequency: Monthly

FIPS 140-3: Disabled

TLS: TLS 1.1 and TLS 1.2

TLS Hash: SHA-1, SHA-256 and above

Trellix Embedded Control: Enhanced Security

**Extensible Service Setup**

Third Generation Browser: X3G\_3.24.23\_2.40.5\_011\_01.00.00  
 Widget Version: v1.3.17.c8.20140613  
 Widget Version: v2.5.04.g9.20240123

