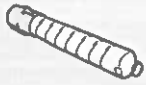


Supplies Usage

Supplies ordering information is located at www.xerox.com/office/supplies

Consumables

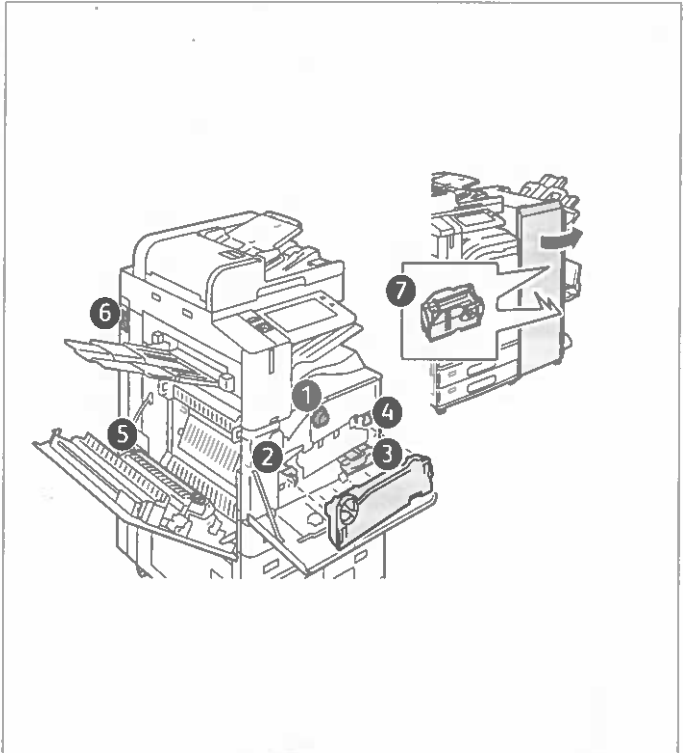
1 Toner Cartridges



Black

Date Installed: Unknown
 Reorder: 006R01770
 Estimated Pages Remaining: 29000
 (Based upon this toner cartridge's average coverage: 53%)

Life Remaining: 100%
 50%
 0%



7 Staple Refill



Reorder: 008R12941

OK

Routine Maintenance Items

2 Drum Cartridge



Black (R1)

Date Installed: Nov 9, 2024
 Reorder: 013R00686
 Estimated Pages Remaining: 171500
 (Based on average printer job size: 1 Pages)

Life Remaining: 100%
 50%
 0%

3 Waste Container

Date Installed: Jan 29, 2025
Reorder: 008R08101



OK

4 Transfer Belt Cleaner

Date Installed: Jan 29, 2025
Reorder: 001R00623
Estimated Pages Remaining: 99500



5 Second Bias Transfer Roller

Date Installed: Feb 7, 2025
Reorder: 008R08103
Estimated Pages Remaining: 360000

