

# Supplies Usage

Supplies ordering information is located at [www.xerox.com/office/supplies](http://www.xerox.com/office/supplies)

## Consumables

### Toner Cartridges



#### Black

Date Installed: Jan 21, 2025  
Reorder: 006R04648  
Estimated Pages Remaining: 20000  
(Based upon this toner cartridge's average coverage: 3%)



#### Cyan

Date Installed: Nov 30, 2022  
Reorder: 006R04649  
Estimated Pages Remaining: 12000  
(Based upon this toner cartridge's average coverage: 3%)



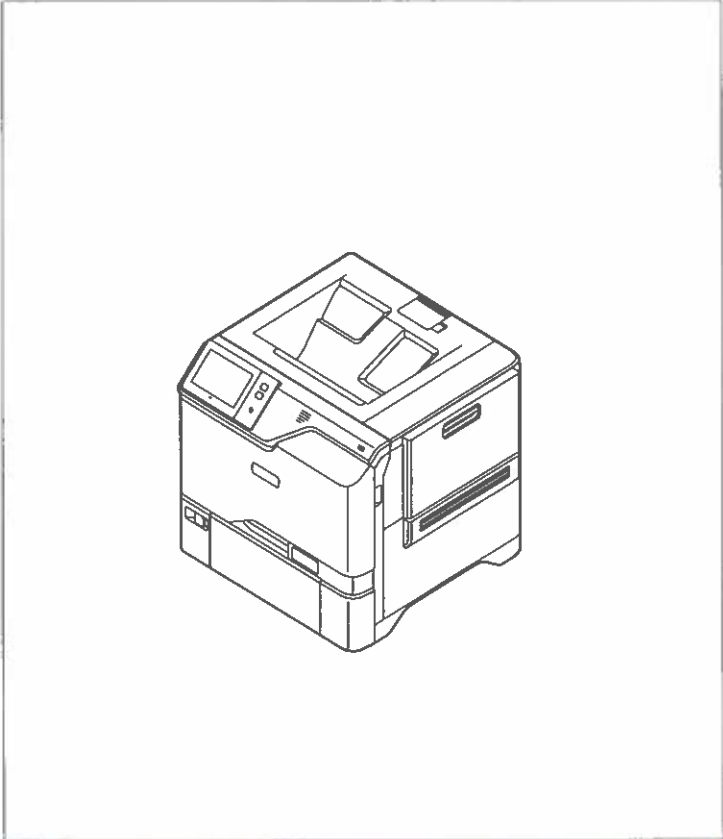
#### Magenta

Date Installed: Sep 25, 2024  
Reorder: 006R04618  
Estimated Pages Remaining: 6000  
(Based upon this toner cartridge's average coverage: 1%)



#### Yellow

Date Installed: Jan 21, 2025  
Reorder: 006R04667  
Estimated Pages Remaining: 11000  
(Based upon this toner cartridge's average coverage: 1%)



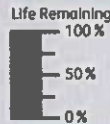
## Routine Maintenance Items

### Imaging Units



#### Black Imaging Kit

Date Installed: Jan 23, 2025  
Reorder: 013R00697  
Estimated Pages Remaining: 150000  
(Based on average printer job size: 1 Pages)



#### Color Imaging Kit

Date Installed: Jan 23, 2025  
Reorder: 013R00698  
Estimated Pages Remaining: 150000  
(Based on average printer job size: 1 Pages)



### Waste Container



Date Installed: Unknown  
Reorder: 008R13334

Almost Full

# Billing Summary

## System Information

Machine Name: Xerox VersaLink C620 (6C:CB:6A)  
Machine Serial Number: UMQ000558  
Power On Impressions: 192

**Software Versions**  
Device Software: 122.026.005.02900  
Patch Version: None  
Network Controller: 122.026.02900  
UI Panel Firmware: 6.2  
Marking Engine: 230.319  
Finisher: 000.000.000

---

## Billing Meters

**Print**  
Black Printed Impressions: 1490  
Color Printed Impressions: 2922

Plain Paper: 139

## Device Totals

Black Impressions: 1490  
Color Impressions: 2922  
Total Impressions: 4412

**Common User Data**

Machine Name: Xerox VersaLink C620 (6C:CB:6A)  
 IP Address: 10.61.16.154  
 Machine Serial Number: UMQ000558  
 Machine URL: https://10.61.16.154  
 Machine Activation Date: Jul 09, 2024 21:15:45  
 Block Impressions: 1489  
 Color Impressions: 2921  
 Total Impressions: 4410

**Machine Profile**

Xerox Asset Tag:  
 Customer Asset Tag:  
 Service Phone Number:  
 Customer Support Number:  
 Supplies Phone Number:  
 System Administrator: System Administrator name not set  
 Machine Location: machine location not set  
**Managed By**  
 Primary MB Server:

**Machine Hardware**

Foreign Interface Card: not present  
 Device RAM Size: 1984 MB  
 Device Storage Size: used+2984MB/total=14004MB (eMMC)  
 EPC Memory Size: 187 MB  
 Productivity Kit: Not Installed  
 Finisher Type: Simple Catch Tray  
 Finisher Punch: None  
 Finisher Folder: not present

**General Setup**

Remote Services: Enabled  
 Remote Software Download: Enabled  
 Remote Services Trans. Time: 17:27  
 Xerox Workplace Cloud: Enabled  
 E-mail Alerts: Disabled  
 Service Plan: Metered  
 Geographic Region: unknown  
 GMT Offset: +05:30  
 Cloning Installation: Allowed (Encrypted Files Only)  
 File Sharing: Enabled  
 JBIG2: Lossless  
**Energy Saver**  
 Deep Sleep: Enabled  
 Energy Saver Mode: Job Activated  
**Smart Proximity Sensor**  
 Wake on Arrival: Not Available  
 Sleep on Departure:

**Software Versions**

Device Software: 122.026.005.02900  
 Patch Version: None  
 Network Controller: 122.026.02900  
 UI Panel Firmware: 6.2  
 Marking Engine: 230.319  
 Finisher: 000.000.000  
**Machine Upgrades:**  
 Last Successful Upgrade: February 5, 2025 06:37:45

**Media Trays**

Tray 1: Plain, White and A4 (210 x 297 mm)  
 Tray 2: Plain, White and A4 (210 x 297 mm)  
 Tray 3: Plain, White and A4 (210 x 297 mm)  
 Tray 4: Plain, White and A4 (210 x 297 mm)  
 Tray 5: Plain, White and A4 (210 x 297 mm)  
 Bypass Tray: Plain, White and Letter (8.5 x 11")

**Installed Options**

PS: Installed

**Connectivity**

**Mobile Workflows**

AirPrint Printing: Enabled  
 Mopria Printing: Enabled

**Physical Connections**

**USB Settings**  
 USB Type A Ports: All Enabled  
 USB Type B Port: Disabled  
**Wired:**  
 Ethernet MAC Address: 12:57:d3:6c:cb:6a  
 Ethernet Speed/Duplex Setting: auto  
**Wireless:**  
 Wireless MAC Address:  
 Network Name (SSID):  
 BSSID:  
 Security Mode:  
 Encryption Algorithm:  
 Status:

**Wi-Fi Direct:**  
 Wireless Hardware: Enabled  
 Not Installed  
 Wi-Fi Protected Setup (WPS) Name:  
 Access Point (SSID):  
 Show Password on Device Touch Screen:  
**NFC:**  
 iBeacon (Bluetooth®) for AirPrint DL...  
 iBeacon Hardware: Not Installed  
 Bluetooth Device Address:  
 iBeacon IP Address:

**Protocols**

**TCP/IPv4:**

Enabled  
 IP Address: 10.61.16.154  
 Subnet Mask: 255.255.255.0  
 Router/Gateway: 10.61.16.1  
 Automatic Addressing: DHCP  
 DHCP Server: 10.61.13.224  
 DHCP Lease Expiration: Thu Feb 13 00:35:32 2025  
 BOOTP Broadcast: Disabled  
 Self Assigned Address State: Enabled  
 Self Assigned Address:

**TCP/IPv6:**

Enabled  
 Link Local Address: fe80::1057:d3ff:fe6c:cb6a  
 Use Router Supplied Prefix: Enabled  
 Stateless Global Address 1: fd00:0:2:116:1057:d3ff:fe6c:cb6a  
 Stateless Global Address 2: ::  
 Manual Address:  
 DHCP Addressing: Use DHCP as directed by a router  
 DHCP Address:  
 Default Gateway: fe80::8afc:5dff:fe75:e282  
 DUID (DHCP Unique Identifier):

**DNS Settings:**

Requested Host Name: XRX1257D36CCB6A  
 Verified Host Name:  
 Requested Domain Name:  
 Verified Domain Name:  
 Multicast DNS: Enabled  
 Release DHCP Leases and DNS Registrati...: Disabled  
 Primary DNS Server: 10.61.7.15  
 Prefer IPv6 DNS over IPv4: Enabled

**Bonjour:**

Bonjour Printer Name: Xerox VersaLink C620 (6C:CB:6A)

**HTTP:**

Force Traffic over Secure Connection (H...: Enabled  
 IPP: Enabled

**SNMP**

SNMP v1/v2: Enabled  
 SNMP v3: Disabled

**LPR/LPD:**

Enabled

**Raw IP Printing:**

**LDAP**

LDAP Server 1 Primary LDAP Address: 0.0.0.0:389  
 LDAP Server 1 Search Directory Root: Translation Not Found  
 LDAP Server 1 Secure Connection (LDA...: Disabled  
 LDAP Server 1 Validate Server Certificate...: Disabled

**SMTP**

SMTP Server: 0.0.0.0:25  
 Connect Encryption (TLS): No Encryption  
 Validate Server Certificate (TLS):

**Protocols (cont.)**

NTP:	Disabled
FTP Client:	Enabled
FTP Client Mode:	Passive
Web Services on Device:	Enabled

**Apps**

**Printing**

Banner Sheet:	Enabled
Error Sheets:	Enabled
Paper Substitution:	Enabled
Tray Priority:	1,2,3,4,5,6
Archival Marking Mode:	Off
PostScript:	Installed
Level:	3
Version:	3021.101
PCL:	
Version:	6
Font Name:	Courier
Custom Color Tables:	Enabled
Label:	Not Installed
Print From:	Enabled
Saved Jobs for Reprint:	Enabled
Print From USB:	Enabled
Cloud Services:	Disabled

**Accounting**

Accounting Mode:	None
Network Accounting:	Disabled

**Security**

**Authentication Configuration**

Machine UI Authentication:	Locally on the Device
Home:	Unlocked
Jobs Pathway:	Unlocked
Printer Pathway:	Unlocked
Device Website Authentication:	Locally on the Device
Authorization:	Locally on the Device

**Authentication Server:**

Kerberos

**Xerox Secure Access:**

Disabled

**Audit Log:**

Enabled

**IP Sec:**

Disabled

**IP Filtering:**

Disabled

**Security Certificates**

Machine Certificate:	Signed
Root Certificates Installed:	54

**802.1x:**

Disabled

**Job Data Removal:**

Scheduled:	Disabled
------------	----------

**FIPS 140-3:**

Disabled

**TLS:**

TLS 1.2 and TLS 1.3

TLS Hash:	SHA-1, SHA-256 and above
-----------	--------------------------

**Trellix Embedded Control:**

Enhanced Security

**Common User Data**

Machine Name: Xerox VersaLink C620 (6C:CB:6A)  
 IP Address: 10.61.16.154  
 Machine Serial Number: UMQ000558  
 Machine URL: https://10.61.16.154  
 Machine Activation Date: Jul 09, 2024 21:15:45  
 Black Impressions: 1489  
 Color Impressions: 2921  
 Total Impressions: 4410

**Machine Profile**

Xerox Asset Tag:  
 Customer Asset Tag:  
 Service Phone Number:  
 Customer Support Number:  
 Supplies Phone Number:  
 System Administrator:  
 Machine Location:  
**Managed By**  
 Primary MB Server:

System Administrator name not set  
 machine location not set

**Machine Hardware**

Foreign Interface Card: not present  
 Device RAM Size: 1984 MB  
 Device Storage Size: used=2984MB/total=14004MB (eMMC)  
 EPC Memory Size: 187 MB  
 Productivity Kit: Not Installed  
 Finisher Type: Simple Catch Tray  
 Finisher Punch: None  
 Finisher Folder: not present

**General Setup**

Remote Services: Enabled  
 Remote Software Download: Enabled  
 Remote Services Trans. Time: 17:27  
 Xerox Workplace Cloud: Enabled  
 E-mail Alerts: Disabled  
 Service Plan: Metered  
 Geographic Region: unknown  
 Startup Config Report: Disabled  
 GMT Offset: +05:30  
 Cloning Installation: Allowed (Encrypted Files Only)  
 Allow Print Submission of Clone Files: Enabled  
 File Sharing: Enabled  
 JBIG2: Lossless

**Energy Saver**

Deep Sleep: Enabled  
 Energy Saver Mode: Job Activated  
 Sleep Mode Timer: 120 minutes  
 Auto-Off: Disabled

**Software Versions**

Device Software: 122.026.005.02900  
 Patch Version: None  
 Network Controller: 122.026.02900  
 UI Panel Firmware: 6.2  
 User Interface: 122.026.02900  
 Marking Engine: 230.319  
 Finisher: 000.000.000  
 OS: 230.319  
 Software Upgrade: 005.009  
 ALTB00T Software Upgrade: 005.009  
 Tray 2: A15.51\_B2.3  
 Tray 3: A15.51\_B2.3  
 Tray 4: A15.51\_B2.3  
 Tray 5: A15.51\_B2.3

**Machine Upgrades:**

Last Successful Upgrade: February 5, 2025 06:37:45  
 Scheduled Auto Upgrades: Disabled  
 Auto Upgrade Start Time: Daily  
 Auto Upgrade Server: 0.0.0:21

**Media Trays**

Tray 1: Plain, White and A4 (210 x 297 mm)  
 Tray 2: Plain, White and A4 (210 x 297 mm)  
 Tray 3: Plain, White and A4 (210 x 297 mm)  
 Tray 4: Plain, White and A4 (210 x 297 mm)  
 Tray 5: Plain, White and A4 (210 x 297 mm)  
 Bypass Tray: Plain, White and Letter (8.5 x 11")

**Connectivity**

**Mobile Workflows**

AirPrint Printing: Enabled  
 Mopria Printing: Enabled  
 Universal Print: Disabled  
 Universal Print Registration Status: Not Registered

**Physical Connections**

**USB Settings**  
 USB Type A Ports: All Enabled  
 USB Type B Port: Disabled  
 Connection Timeout: 5 seconds

**Wired:**

Ethernet MAC Address: 12:57:d3:6c:cb:6a  
 Ethernet Speed/Duplex Setting: auto

**Wireless:**

Wireless MAC Address:  
 Network Name (SSID):  
 BSSID:  
 Security Mode:  
 Encryption Algorithm:  
 Status:  
 Wi-Fi Direct: Enabled  
 Wireless Hardware: Not Installed

**Wi-Fi Protected Setup (WPS) Name:**

Connection Method:  
 Subnet Prefix Address:  
 Access Point (SSID):  
 Show Password on Device Touch Screen:  
**NFC:** Enabled  
 iBeacon (Bluetooth®) for AirPrint Di...: Enabled  
 iBeacon Hardware: Not Installed  
 Bluetooth Device Address:  
 iBeacon IP Address:

**Protocols**

**TCP/IPv4:** Enabled  
 IP Address: 10.61.16.154  
 Subnet Mask: 255.255.255.0  
 Router/Gateway: 10.61.16.1  
 Automatic Addressing: DHCP  
 DHCP Server: 10.61.13.224  
 DHCP Lease Expiration: Thu Feb 13 00:35:32 2025  
 BOOTP Broadcast: Disabled  
 Self Assigned Address State: Enabled  
 Self Assigned Address:  
**TCP/IPv6:** Enabled  
 Link Local Address: fe80::1057:d3ff:fe6c:cb6a  
 Use Router Supplied Prefix: Enabled  
 Stateless Global Address 1: fd00:0:2:116:1057:d3ff:fe6c:cb6a  
 Stateless Global Address 2: ::  
 Manual Address:  
 DHCP Addressing: Use DHCP as directed by a router  
 DHCP Address:  
 Default Gateway: fe80::8afc:5dff:fe75:e282  
 DUID (DHCP Unique Identifier):

**DNS Settings:**

Requested Host Name: XRX1257D36CCB6A  
 Verified Host Name:  
 Requested Domain Name:  
 Verified Domain Name:  
 Multicast DNS: Enabled  
 Release DHCP Leases and DNS Registrati...: Disabled  
 Primary DNS Server: 10.61.7.15  
 Alternate DNS Server 1: 10.61.10.6  
 Alternate DNS Server 2: ::  
 DNS Connection Timeout: 5  
 Append Device Domain: Enabled  
 Append Parent Domains: Disabled  
 DNS Domain Search List: XEROXQA.COM.  
 Prefer IPv6 DNS over IPv4: Enabled

**Installed Options**

PS: Installed

Protocols (cont.)

<b>Bonjour:</b>	
Bonjour Printer Name:	Xerox VersaLink C620 (6C:CB:6A)
<b>HTTP:</b>	
Port Number:	80
Force Traffic over Secure Connection (H...):	Yes
Secure HTTP Port Number:	443
Proxy Server:	Manual
Proxy Server Address:	10.177.8.91:8080
<b>IPP:</b>	
Secure IPP Mode:	IPP and Secure IPPS
IPP Network Path:	http://10.61.16.154:631
<b>SNMP:</b>	
SNMP v1/v2:	Enabled
SNMP v3:	Disabled
<b>LPR/LPD:</b>	
Port Number:	515
PDL Switching:	Disabled
PDL Scanner Override:	Disabled
<b>Raw IP Printing:</b>	
Port Number 1:	9100
Bidirectional:	Disabled
End of Job Timeout:	300
PDL Switching:	Disabled
<b>LDAP:</b>	
LDAP Server 1 Friendly Name:	
LDAP Server 1 Primary LDAP Address:	0.0.0.0:389
LDAP Server 1 Alternate LDAP Address:	0.0.0.0:389
LDAP Server 1 Search Directory Root:	Translation Not Found
LDAP Server 1 Secure Connection (LDA...):	Disabled
LDAP Server 1 Validate Server Certificate...:	Disabled
<b>SMTP:</b>	
SMTP Server:	0.0.0.0:25
Connect Encryption (TLS):	No Encryption
Validate Server Certificate (TLS):	
Max Message Size (KB):	10240
Number of Fragments:	1
Total Job Size (KB):	300000
Job Splitting Boundary:	Page Boundary
Credentials for Auto E-mail:	None
<b>POP3:</b>	
POP3 Server:	0.0.0.0:110
POP3 Secure Connection (TLS):	Disabled
E-mail Address:	
Receipt of E-mail via POP3:	Disabled
Send Confirm on Request:	Enabled
Incoming E-mail cover sheet:	Enabled
<b>NTP:</b>	
Primary Server:	0.0.0.0:123
Alternate Server:	0.0.0.0:123
<b>SLP:</b>	
SLP:	Disabled
<b>FTP Client:</b>	
FTP Client Mode:	Passive
<b>Web Services on Device:</b>	
WS-Discovery:	Enabled
WS-Discovery Multicast:	Enabled
WS-Print:	Enabled
<b>Web Services:</b>	
Digital Certificate Management and Securi...:	Enabled
Extensible Service Registration:	Enabled
Job Limits:	Enabled
Job Management Extension:	Enabled
Device Configuration:	Enabled
Session Data:	Enabled
User Interface Configuration:	Enabled
EIP Proxy Configuration:	Enabled
Xerox Secure Access:	Disabled
EIP SNMP Configuration:	Enabled
Print Submission:	Enabled
Mass Storage Access:	Enabled
Card Reader Access:	Enabled
Authentication & Accounting Configur...:	Enabled
Export Audit Log:	Enabled
Trellix Embedded Control:	Enabled

Apps

Printing

Banner Sheet:	Enabled
Sys/Start Job:	Disabled
Delete Held Jobs After:	3 Day(s) 0 Hour(s) 0 Minute(s)
Error Sheets:	Enabled
Paper Substitution:	Enabled
Tray Priority:	1,2,3,4,5,6
Default Copies:	1
Default Job Type:	Normal Print
Default Paper Size:	x=8.50 inches, y=11.00 inches
Default Paper Color:	White
Default 2 Sided Printing:	2 Sided
Default Output Tray:	Center Tray
Default Output Color:	Color
Default Colated Sets:	Enabled
Default Stapling:	Not Available
Offsetting Between Jobs:	No Offset Between Jobs
Archival Marking Mode:	Off
PostScript:	Installed
Level:	3
Version:	3021.101
Image Quality:	Enhanced
<b>PCL:</b>	
Version:	6
Pitch Size:	10.00
Point Size:	12.00
Font Name:	Courier
Lines Per Page:	60
Custom Color Tables:	Enabled
Label:	Not Installed
<b>Print From:</b>	
Saved Jobs for Reprint:	Enabled
Print From USB:	Enabled
Cloud Services:	Disabled

**Accounting**

Accounting Mode: None  
 Network Accounting: Disabled

**Security****Authentication Configuration**

Machine UI Authentication: Locally on the Device  
 Home: Unlocked  
 Jobs Pathway: Unlocked  
 Printer Pathway: Unlocked  
 Device Website Authentication: Locally on the Device  
 Authorization: Locally on the Device

**Authentication Server:**

Kerberos Primary Address: 0.0.0.88  
 Kerberos Alt 1 Realm: 0.0.0.88  
 Kerberos Alt 1 Address: 0.0.0.88  
 SMB NT Domain:  
 SMB Alt 1 NT Domain:  
 Smartcard Ctrl Server: 0.0.0.443  
 Smartcard Ctrl Domain:  
 SmartCard OCSP URL:  
 Card Reader Upgrade Policy: Enabled  
 Card Reader Firmware Version:

**Xerox Secure Access:**

Secure Access Server: Disabled  
 Secure Access Path: 0.0.0.443

**Audit Log:**

Audit Log: Enabled

**IP Sec:**

IP Sec: Disabled

**IP Filtering:**

IP Filtering: Disabled

**Security Certificates**

Machine Certificate: Signed

Root Certificates Installed: 54

**802.1x:**

802.1x: Disabled

**Job Data Removal:**

Scheduled: Disabled

Scheduled Frequency: Monthly

**FIPS 140-3:**

FIPS 140-3: Disabled

**TLS:**

TLS: TLS 1.2 and TLS 1.3

TLS Hash: SHA-1, SHA-256 and above

**Trellix Embedded Control:**

Trellix Embedded Control: Enhanced Security

**Extensible Service Setup**

Third Generation Browser: X3G\_3.24.23\_2.40.5\_012\_01.00.00

Widget Version: v1.3.17 c8 20140613

Widget Version: v2.5.04 g9 20240123

# Utilisation des consommables

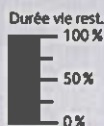
## Consommables

### Cartouches de toner



#### Noir

Date d'installation: Jan 21, 2025  
 Commander : 006R04648  
 Nombre estimé de pages restantes: 20000  
 (Basé sur la couverture moyenne de cette cartouche de toner: 3%)



#### Cyan

Date d'installation: Nov 30, 2022  
 Commander : 006R04649  
 Nombre estimé de pages restantes: 12000  
 (Basé sur la couverture moyenne de cette cartouche de toner: 3%)



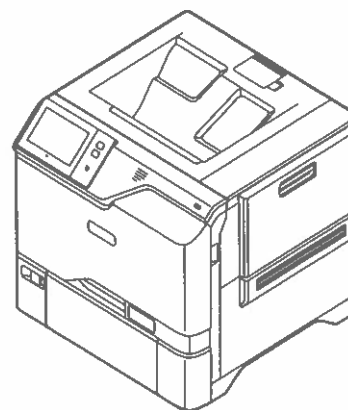
#### Magenta

Date d'installation: Sep 25, 2024  
 Commander : 006R04618  
 Nombre estimé de pages restantes: 6000  
 (Basé sur la couverture moyenne de cette cartouche de toner: 1%)



#### Jaune

Date d'installation: Jan 21, 2025  
 Commander : 006R04667  
 Nombre estimé de pages restantes: 11000  
 (Basé sur la couverture moyenne de cette cartouche de toner: 1%)



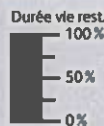
## Éléments de maintenance courante

### Unités imageurs



#### Kit d'impression couleur

Date d'installation: Jan 23, 2025  
 Commander : 013R00697  
 Nombre estimé de pages restantes: 150000  
 (Basé sur la taille moyenne des travaux d'impression: 1 Pages)



#### Kit d'impression noir et blanc

Date d'installation: Jan 23, 2025  
 Commander : 013R00698  
 Nombre estimé de pages restantes: 150000  
 (Basé sur la taille moyenne des travaux d'impression: 1 Pages)



### Bac à déchets



Date d'installation: Unknown  
 Commander : 008R13334



Presque plein

# Récapitulatif de facturation

## Informations système

Nom de la machine:	Xerox VersaLink C620 (6C:CB:6A)
Numéro de série de la machine:	UMQ000558
Impressions à la mise sous tension:	161

<b>Versions du logiciel</b>	
Logiciel du périphérique:	122.026.005.02900
Version du correctif:	Aucun
Contrôleur réseau:	122.026.02900
Micrologiciel du panneau de l'interface utilisateur:	6.2
Moteur de marquage:	230.319
Module de finition:	000.000.000

## Compteurs de facturation

### Impr.

Impressions noires:	1481
Impressions couleur:	2900

## Totaux périph.

Impressions en noir:	1481
Impressions couleur:	2900
Impressions totales:	4381

Papier ordinaire:	116
-------------------	-----

## Données utilisateur communes

Nom de la machine :	Xerox VersaLink C620 (6C:CB:6A)
Adresse IP:	10.61.16.154
Numéro de série de la machine :	UMQ000558
URL de la machine :	https://10.61.16.154
	Jul 09, 2024 21:15:45
Impressions noir :	1480
Impressions couleur :	2899
Tous les tirages :	4379

## Profil de la machine

Identificateur d'inventaire Xerox	
Identificateur d'inventaire client	
N° téléphone Centre Services :	
Numéro du service client :	
Téléphone Consommables :	
Administrateur système :	Nom de l'administrateur système non ...
Emplacement de la machine :	Emplacement de la machine non défini
<b>Géré par</b>	
Serveur MB principal :	

## Matériel de la machine

Carte d'interface auxiliaire :	absent(e)
RAM du périphérique :	1984 MB
Stockage du périphérique :	utilisés+2959Mo/total=14004Mo (eMMC)
Taille mémoire EPC :	187 MB
Kit de productivité :	Non installé(e)
Type module finition :	Bac simple
Perforation module finition :	Aucun
Pieuse du module de finition :	absent(e)

## Configuration générale

Services distants :	Activé(e)
Téléchargement logiciel à distance :	Activé(e)
Services dist. - Heure de trans. :	17:27
Xerox Workplace Cloud	Activé(e)
Alertes de messagerie :	Désactivé(e)
Plan de maintenance :	Consommable à débit
Région géographique	inconnu
Décalage par rapport à l'heure GMT :	+05:30
Installation du clonage	Autorisé (Fichiers cryptés uniquement)
Partage de fichiers	Activé(e)
JBIG2	Sans perte
<b>Économie d'énergie</b>	
Veille profonde :	Activé(e)
Mode Économie d'énergie :	Travail activé
<b>Capteur de proximité intelligent</b>	Non disponible
Veille au départ :	

## Versions du logiciel

Logiciel du périphérique :	122.026.005.02900
Version du correctif :	Aucun
Contrôleur réseau :	122.026.02900
Micrologiciel du panneau de l'interface util...	6.2
Moteur de marquage :	230.319
Module de finition :	000.000.000
<b>Mises à niveau de la machine :</b>	Autorisé(e)
Dernière mise à niveau réussie :	Février 5, 2025 06:37:45

## Magasins

Magasin 1:	Standard, Blanc and A4 (210 x 297 mm)
Magasin 2:	Standard, Blanc and A4 (210 x 297 mm)
Magasin 3:	Standard, Blanc and A4 (210 x 297 mm)
Magasin 4:	Standard, Blanc and A4 (210 x 297 mm)
Magasin 5:	Standard, Blanc and A4 (210 x 297 mm)
Départ manuel:	Standard, Blanc and 8,5 x 11

## Options installées

PS :	Installé
------	----------

## Connectivité

## Flux de travail mobiles

Impression AirPrint :	Activé(e)
Mapria Discovery :	Activé(e)
Connexions physiques	
Paramètres USB	
Ports USB Type A	Tout activé
Port USB, type B	Désactivé(e)
Filaire :	Activé(e)
Adresse MAC Ethernet :	12:57:d3:6c:cb:6a
Paramètre de débit Ethernet/duplex :	auto
Sans fil :	Désactivé(e)
Adresse MAC sans fil :	
Nom de réseau (SSID) :	
BSSID :	
Mode de sécurité :	
Algorithme de cryptage :	
État :	Activé(e)
Wi-Fi Direct :	Activé(e)
Matériel sans fil :	Non installé(e)
Nom WPS (Wi-Fi Protected Setup) :	
Point d'accès (SSID) :	
Afficher le mot de passe sur l'écran tactile...	Activé(e)
NFC :	Activé(e)
iBeacon (Bluetooth®) pour la détection Ai...	Activé(e)
Matériel iBeacon :	Non installé(e)
Adresse du périphérique Bluetooth :	
Adresse IP iBeacon :	

## Protocoles

<b>TCP/IPv4 :</b>	Activé(e)
Adresse IP:	10.61.16.154
Masque de sous-réseau:	255.255.255.0
Routeur/passerelle :	10.61.16.1
Adressage automatique :	DHCP
Serveur DHCP :	10.61.13.224
Expiration du bail DHCP :	Thu Feb 13 00:35:32 2025
Diffusion BOOTP :	Désactivé(e)
État de l'adresse auto-affectée :	Activé(e)
Adresse auto-affectée :	
<b>TCP/IPv6 :</b>	Activé(e)
Adresse Link-Local :	fe80::1057:d3ff:fe6c:cb6a
Utiliser le préfixe du routeur :	Activé(e)
Adresse globale 1 sans état :	fd00:0:2:116:1057:d3ff:fe6c:cb6a
Adresse globale 2 sans état :	::
Adresse manuelle :	
Adressage DHCP :	Utiliser DHCP comme indiqué par le r...
Adresse DHCP :	
Passerelle par défaut :	fe80::8afc:5dff:fe75:e282
DUJD (Identifiant unique DHCP):	
<b>Paramètres DNS :</b>	
Nom d'hôte demandé :	XRX1257D36CCB6A
Nom d'hôte vérifié :	
Nom de domaine demandé :	
Nom de domaine vérifié :	
DNS multicast :	Activé(e)
Retirer les baux DHCP et les enregistreme...	Désactivé(e)
Serveur DNS primaire :	10.61.7.15
Préférer DNS IPv6 à IPv4 :	Activé(e)

## Bonjour :

Nom d'imprimante Bonjour :	Xerox VersaLink C620 (6C:CB:6A)
<b>HTTP :</b>	Activé(e)
Forcer le trafic sur la connexion sécuris...	Oui
1PP	Activé(e)

## SNMP

SNMP v1/v2 :	Activé(e)
SNMP v3 :	Désactivé(e)

## LPR/LPD :

Impression Raw IP :	Activé(e)
---------------------	-----------

## LDAP

Serveur LDAP 1 - Adresse LDAP princi...	0.0.0.0:389
Serveur LDAP 1 - Chercher dans la racine ...	Translation Not Found
Serveur LDAP 1 - Connexion sécurisée (...)	Désactivé(e)
Serveur LDAP 1 - Valider le certificat de s...	Désactivé(e)

## SMTP

Serveur SMTP :	0.0.0.0:25
Chiffrement de la connexion (TLS) :	Pos de cryptage
Valider le certificat du serveur (TL...	

**Protocoles (suite)**

NTP :	Désactivé(e)
Client FTP :	Activé(e)
Mode client FTP :	Passif
Services Web sur le périphérique :	Activé(e)

**Applications****Impression**

Page de garde :	Activé(e)
Pages d'erreur :	Activé(e)
Substitution de papier :	Activé(e)
Priorité magasin :	1,2,3,4,5,6

PostScript	Installé
Niveau :	3
Version :	3021.101

PCL	6
Version :	6
Nom de la police :	Courier

Tables de couleurs personnalisées	Activé(e)
Intitulé :	Non installé(e)

**Imprimer depuis :**

Travaux enregistrés à réimprimer :	Activé(e)
Imprimer depuis USB :	Activé(e)
Services cloud :	Désactivé(e)

**Comptabilisation**

Mode comptabilité :	Aucun
Comptabilisation réseau :	Désactivé(e)

**Sécurité****Configuration de l'authentification**

Authentification IU machine :	Localement sur le périphérique
Domicile :	Déverrouillé
Chemin d'accès aux travaux :	Déverrouillé
Chemin d'accès à l'imprimante :	Déverrouillé
Authentification du site Web du périphérique :	Localement sur le périphérique
Autosauvegarde :	Localement sur le périphérique

**Serveur d'authentification :**

Xerox Secure Access : Kerberos

Xerox Secure Access : Désactivé(e)

Journal d'audit : Activé(e)

IP Sec : Désactivé(e)

Filtrage IP : Désactivé(e)

**Certificats de sécurité**

Certificat de la machine : Signé

Certificats racine installés : 54

802.1x : Désactivé(e)

Suppression des données des travaux : Désactivé(e)

FIPS 140-3 : Désactivé(e)

TLS : TLS 1.2 et TLS 1.3

Hardage TLS : SHA-1, SHA-256 et plus

Trellix Embedded Control : Sécurité avancée

## Données utilisateur communes

Nom de la machine :	Xerox VersaLink C620 (6C:CB:6A)
Adresse IP :	10.61.16.154
Numéro de série de la machine :	UMQ000558
URL de la machine :	https://10.61.16.154
	Jul 09, 2024 21:15:45
Impressions noir :	1480
Impressions couleur :	2899
Tous les tirages :	4379

## Profil de la machine

Identificateur d'inventaire Xerox	
Identificateur d'inventaire client	
N° téléphone Centre Services :	
Numéro du service client :	
Téléphone Consommables :	
Administrateur système :	Nom de l'administrateur système non ...
Emplacement de la machine :	Emplacement de la machine non défini
<b>Géré par</b>	
Serveur MB principal :	

## Matériel de la machine

Carte d'interface auxiliaire :	absent(e)
RAM du périphérique :	1984 MB
Stockage du périphérique :	utilisés=2959Mo/total=0Mo (eMMC)
Taille mémoire EPC :	187 MB
Kit de productivité :	Non installé(e)
Type module finition :	Bac simple
Perforation module finition :	Aucun
Plieuse du module de finition :	absent(e)

## Configuration générale

Services distants :	Activé(e)
Téléchargement logiciel à distance :	Activé(e)
Services dist. - Heure de trans. :	17:27
Xerox Workplace Cloud	Activé(e)
Alertes de messagerie :	Désactivé(e)
Plan de maintenance :	Consommable à débit
Région géographique	inconnu
Relevé de configuration au démarrage :	Désactivé(e)
Décalage par rapport à l'heure GMT :	+05:30
Installation du clonage	Autorisé (Fichiers cryptés uniquement)
	Activé(e)
Partage de fichiers	Activé(e)
JBIG2	Sans perte

## Économie d'énergie

Veille profonde :	Activé(e)
Mode Économie d'énergie :	Travail activé
Délai mode veille :	120 minutes
Mise hors tension auto :	Désactivé(e)

## Versions du logiciel

Logiciel du périphérique :	122.026.005.02900
Version du correctif :	Aucun
Contrôleur réseau :	122.026.02900
Micrologiciel du panneau de l'interface util...	6.2
Interface utilisateur :	122.026.02900
Mateleur de marquage :	230.319
Module de finition :	000.000.000
	230.319

Mise à niveau du logiciel :	005.009
Mise à niveau du logiciel ALTB00T :	005.009

Magasin 2 :	A15.S1_B2.3
Magasin 3 :	A15.S1_B2.3
Magasin 4 :	A15.S1_B2.3
Magasin 5 :	A15.S1_B2.3

## Mises à niveau de la machine :

Dernière mise à niveau réussie :	Février 5, 2025 06:37:45
Mises à niveau auto. planifiées :	Désactivé(e)
Début mise à niveau automatique :	Quotidien
Serveur de mise à niveau automatique :	0.0.0:21

## Magasins

Magasin 1 :	Standard, Blanc and A4 (210 x 297 mm)
Magasin 2 :	Standard, Blanc and A4 (210 x 297 mm)
Magasin 3 :	Standard, Blanc and A4 (210 x 297 mm)
Magasin 4 :	Standard, Blanc and A4 (210 x 297 mm)
Magasin 5 :	Standard, Blanc and A4 (210 x 297 mm)
Départ manuel :	Standard, Blanc and 8,5 x 11

## Connectivité

## Flux de travail mobiles

Impression AirPrint :	Activé(e)
Mopria Discovery :	Activé(e)
Impression universelle :	Désactivé(e)
	Non enregistré

## Connexions physiques

<b>Paramètres USB</b>	
Ports USB Type A	Tout activé
Port USB, type B	Désactivé(e)
Délai de connexion	5 secondes
<b>Filaire :</b>	
Adresse MAC Ethernet :	12:57:d3:6c:cb:6a
Paramètre de débit Ethernet/duplex :	auto
<b>Sans fil :</b>	
Adresse MAC sans fil :	Désactivé(e)
Nom de réseau (SSID) :	
BSSID :	
Mode de sécurité :	
Algorithme de cryptage :	
État :	

<b>Wi-Fi Direct :</b>	
Matériel sans fil :	Activé(e)
Non installé(e)	Non installé(e)
Nom WPS (Wi-Fi Protected Setup) :	
Méthode connexion :	
L'adresse du masque de sous-réseau :	
Point d'accès (SSID) :	
Afficher le mot de passe sur l'écran tactile...	

<b>NFC :</b>	
Activé(e)	Activé(e)
<b>iBeacon (Bluetooth®) pour la détection Ai...</b>	
Matériel iBeacon :	Activé(e)
Non installé(e)	Non installé(e)
Adresse du périphérique Bluetooth :	
Adresse IP iBeacon :	

## Protocoles

<b>TCP/IPV4 :</b>	
Activé(e)	Activé(e)
Adresse IP :	10.61.16.154
Masque de sous-réseau :	255.255.255.0
Routeur/passerelle :	10.61.16.1
Adressage automatique :	DHCP
Serveur DHCP :	10.61.13.224
Expiration du bail DHCP :	Thu Feb 13 00:35:32 2025
Diffusion BOOTP :	Désactivé(e)
État de l'adresse auto-affectée :	Activé(e)
Adresse auto-affectée :	
<b>TCP/IPV6 :</b>	
Activé(e)	Activé(e)
Adresse Link-Local :	fe80::1057:d3ff:fe6c:cb6a
Utiliser le préfixe du routeur :	Activé(e)
Adresse globale 1 sans état :	fd00:0:2:116:1057:d3ff:fe6c:cb6a
Adresse globale 2 sans état :	::
Adresse manuelle :	
Adressage DHCP :	Utiliser DHCP comme indiqué par le r...
Adresse DHCP :	
Passerelle par défaut :	fe80::8afc:5dff:fe75:e282
DUID (Identifiant unique DHCP) :	

## Paramètres DNS :

Nom d'hôte demandé :	XXR1257D36CCB6A
Nom d'hôte vérifié :	
Nom de domaine demandé :	
Nom de domaine vérifié :	
<b>DNS multicast :</b>	
Activé(e)	Activé(e)
Désactivé(e)	Désactivé(e)
Retirer les baux DHCP et les enregistreme...	
Serveur DNS primaire :	10.61.7.15
Serveur DNS alternatif 1 :	10.61.10.6
Serveur DNS alternatif 2 :	::
Temporisation de la connexion DNS :	5
Ajouter un domaine de périphérique :	Activé(e)
Ajouter des domaines parent :	Désactivé(e)
Liste de recherche des domaines DNS :	XEROXQA.COM.
Préférer DNS IPv6 à IPv4 :	Activé(e)

## Options installées

PS :	Installé
------	----------

## Protocoles (suite)

<b>Bonjour :</b>	
Nom d'imprimante Bonjour :	Xerox VersaLink C620 (6C:CB.6A)
<b>HTTP :</b>	
Numéro du port :	80
Forcer le trafic sur la connexion sécurisée :	Oui
Numéro de port HTTP sécurisé :	443
Serveur proxy :	Manuel(le)
Adresse du serveur proxy :	10.177.8.91:8080
IPP :	Activé(e)
Mode IPP sécurisé :	IPP et IPPS sécurisé
Chemin réseau IPP :	http://10.61.16.154:631
<b>SNMP :</b>	
SNMP v1/v2 :	Activé(e)
SNMP v3 :	Désactivé(e)
<b>LPR/LPD :</b>	
Numéro du port :	515
Basculement PDL :	Désactivé(e)
Ignorer page de garde PDL :	Désactivé(e)
<b>Impression Raw IP :</b>	
Port numéro 1 :	9100
Bidirectionnel :	Désactivé(e)
Délai d'attente de fin de travail :	300
Basculement PDL :	Désactivé(e)
<b>LDAP :</b>	
Serveur LDAP 1 - Nom convivial LDAP :	
Serveur LDAP 1 - Adresse LDAP princ...	0.0.0.0:389
Serveur LDAP 1 - Adresse LDAP second...	0.0.0.0:389
Serveur LDAP 1 - Chercher dans la racine ...	Translation Not Found
Serveur LDAP 1 - Connexion sécurisée (...)	Désactivé(e)
Serveur LDAP 1 - Valider le certificat de s...	Désactivé(e)
<b>SMTP :</b>	
Serveur SMTP :	0.0.0.0:25
Chiffrement de la connexion (TLS) :	Pas de cryptage
Valider le certificat du serveur (TL...	
Taille max. des messages (Ko) :	10240
Nombre de fragments :	1
Taille totale du travail (Ko) :	300000
Division des travaux :	Division par page
Références de connexion pour les courrier...	Aucun
<b>POP3 :</b>	
Serveur POP3 :	0.0.0.0:110
Connexion sécurisée POP3 (TLS) :	Désactivé(e)
Adresse électronique :	
Reception des courriers électroniques via...	Désactivé(e)
Envoyer confirmation sur demande :	Activé(e)
Page de garde courrier entrant :	Activé(e)
<b>NTP :</b>	
Serveur primaire :	0.0.0.0:123
Serveur alternatif :	0.0.0.0:123
<b>SLP :</b>	
Client FTP :	Désactivé(e)
Mode client FTP :	Passif
<b>Services Web sur le périphérique :</b>	
Détection WS :	Activé(e)
Détection multicast WS :	Activé(e)
Impression WS :	Activé(e)
<b>Services Web :</b>	
Gestion du certificat numérique et Configu...	Activé(e)
Enregistrement de service extensible :	Activé(e)
Limites des travaux :	Activé(e)
Extension de gestion des travaux :	Activé(e)
Configuration du périphérique :	Activé(e)
Données de la session :	Activé(e)
Configuration du serveur proxy EIP :	Activé(e)
Xerox Secure Access :	Désactivé(e)
Configuration SNMP EIP :	Activé(e)
Envoi à l'impression :	Activé(e)
Accès stockage de masse :	Activé(e)
Accès par lecteur de carte :	Activé(e)
Configuration de l'authentification et de la...	Activé(e)
Exporter liste de contrôle :	Activé(e)
Trellix Embedded Control :	Activé(e)

## Applications

## Impression

Page de garde :	Activé(e)
Page de configuration au démarrage :	Désactivé(e)
Supprimer les travaux suspendus après :	3 Day(s) 0 Hour(s) 0 Minute(s)
Pages d'erreur :	Activé(e)
Substitution de papier :	Activé(e)
Priorité magasin :	1,2,3,4,5,6
Copies par défaut :	1
Type de travail par défaut :	Impression d'épreuves
Format support par défaut :	x = 8.50 inches, y=11.00 inches
Couleur du support par défaut :	Blanc
Mode d'impression par défaut :	Recto verso
Bac récepteur par défaut :	Bac central
Mode couleur par défaut :	Couleur
Jeux assemblés par défaut :	Activé(e)
Agrafage par défaut :	Pas d'agrafage
Décalage entre les travaux :	Aucun décalage entre travaux

## PostScript

Niveau :	Installé
Version :	3
Qualité image :	3021.101
	Améliorée

## PCL

Version :	6
Valeur de pix :	10.00
Valeur de point :	12.00
Nom de la palette :	Courier
Lignes par page :	60
Tables de couleurs personnalisées :	Activé(e)
Intitulé :	Non installé(e)

## Imprimer depuis :

Travaux enregistrés à réimprimer :	Activé(e)
Imprimer depuis USB :	Activé(e)
Services cloud :	Désactivé(e)

**Comptabilisation**

Mode comptabilité : Aucun  
 Comptabilisation réseau : Désactivé(e)

**Sécurité****Configuration de l'authentification**

Authentification IU machine : Localement sur le périphérique  
 Domicile : Déverrouillé  
 Chemin d'accès aux travaux : Déverrouillé  
 Chemin d'accès à l'imprimante : Déverrouillé  
 Authentification du site Web du péri... : Localement sur le périphérique  
 Autorisation : Localement sur le périphérique

**Serveur d'authentification :**

Domaine primaire Kerberos :  
 Adresse primaire Kerberos : 0.0.0.0:88  
 Domaine Kerberos alternatif 1 :  
 Adresse Kerberos alternative 1 : 0.0.0.0:88  
 Domaine NT SMB :  
 Domaine NT SMB alternatif 1 :  
 Serveur de contrôleur Smartcard : 0.0.0.0:443  
 Domaine de contrôleur Smartcard :  
 URL OCSP SmartCard :  
 Politique de mise à niveau du lecteur de ca... : Activé(e)  
 Version de micrologiciel du lecteur de car...

**Xerox Secure Access :**

Serveur Secure Access : Désactivé(e)  
 0.0.0.0:443  
 Chemin Secure Access :

**Journal d'audit :**

IP Sec : Activé(e)

**Filtrage IP :**

Désactivé(e)

**Certificats de sécurité**

Certificat de la machine : Signé  
 Certificats racine installés : 54

**802.1x :**

Désactivé(e)

**Suppression des données des travaux :**

Planifié(e) : Désactivé(e)  
 Fréquence planifiée : Mensuel

**FIPS 140-3 :**

Désactivé(e)

**TLS :**

TLS 1.2 et TLS 1.3

Hashage TLS : SHA-1, SHA-256 et plus

**Trellix Embedded Control :**

Sécurité avancée

**Configuration du service extensible**

Navigateur troisième génération : X3G\_3.24.23\_2.40.5\_012\_01.00.00

Version du widget : v1.3.17 c8 20140613

Version du widget : v2.5.04 g9 20240123

# Uso dei materiali di consumo

Le informazioni sull'ordine di materiali di consumo sono disponibili nella seguente posizione

[www.xerox.com/office/supplies](http://www.xerox.com/office/supplies)

## Materiali di consumo

### Cartucce toner



#### Nero

Data di installazione: Jan 21, 2025  
 Riordinare: 006R04648  
 Pagine residue stimate: 20000  
 (In base alla copertura media di questa cartuccia toner: 3%)



#### Ciano

Data di installazione: Nov 30, 2022  
 Riordinare: 006R04649  
 Pagine residue stimate: 12000  
 (In base alla copertura media di questa cartuccia toner: 3%)



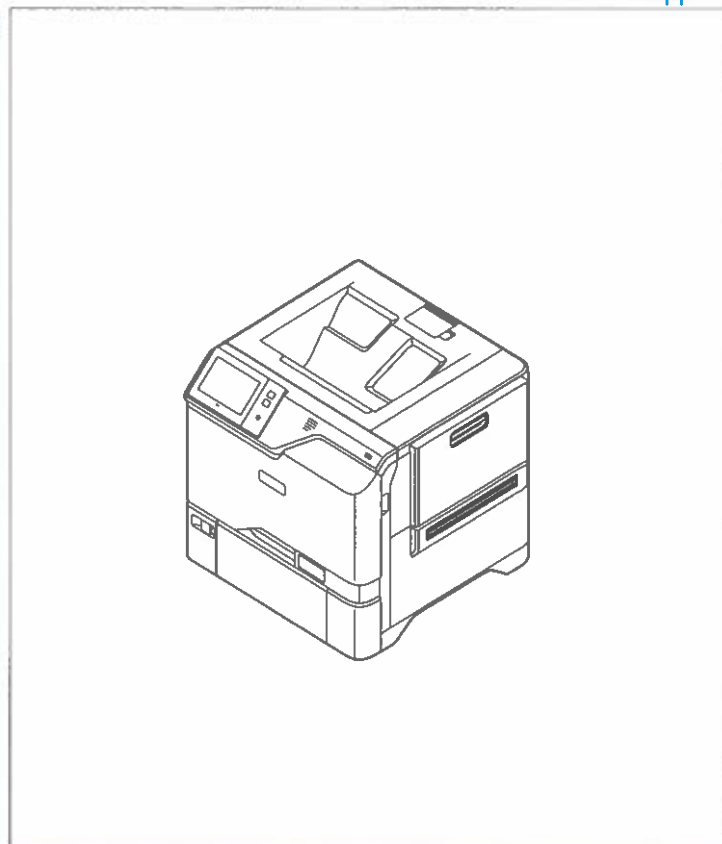
#### Magenta

Data di installazione: Sep 25, 2024  
 Riordinare: 006R04618  
 Pagine residue stimate: 6000  
 (In base alla copertura media di questa cartuccia toner: 1%)



#### Giallo

Data di installazione: Jan 21, 2025  
 Riordinare: 006R04667  
 Pagine residue stimate: 11000  
 (In base alla copertura media di questa cartuccia toner: 1%)



## Elementi della procedura di manutenzione

### Unità di imaging



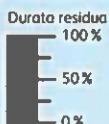
#### Kit di imaging nero

Data di installazione: Jan 23, 2025  
 Riordinare: 013R00697  
 Pagine residue stimate: 150000  
 (In base alla dimensione media del lavoro stampante: 1 Pagina)



#### Kit di imaging a colori

Data di installazione: Jan 23, 2025  
 Riordinare: 013R00698  
 Pagine residue stimate: 150000  
 (In base alla dimensione media del lavoro stampante: 1 Pagina)



### Contenitore scarti



Data di installazione: Unknown  
 Riordinare: 008R13334

Quasi pieno

Le informazioni sul riciclaggio sono disponibili nella seguente posizione:  
[www.xerox.com/gwa](http://www.xerox.com/gwa)

## Dati utente comuni

Nome macchina:	Xerox VersaLink C620 (6C:CB:6A)
Indirizzo IP:	10.61.16.154
Numero di serie macchina:	UMQ000558
URL macchina:	https://10.61.16.154
Data di attivazione macchina:	Jul 09, 2024 21:15:45
Impressioni nero:	1471
Impressioni colore:	2876
Totale impressioni:	4347

## Profilo macchina

Targhetta parte Xerox	
Targhetta parte cliente	
Numero di telefono assistenza:	
Numero assistenza clienti:	
Numero di telefono materiali di cons...	
Amministratore di sistema:	Nome amministratore di sistema non i...
Posizione macchina:	Posizione macchina non impostata

### Gestito da

Server MB primario:

## Hardware macchina

Scheda interfaccia esterna:	non presente
Dimensioni RAM dispositivo:	1984 MB
Spazio di archiviazione dispositivo:	usato=2968MB/totale=14004MB (eMMC)
Dimensioni memoria EPC:	187 MB
Kit di produttività:	Non installata
Tipo di staz. di finitura:	Vassoio semplice
Perforatrice staz. di finitura:	No
Piegatrice della stazione di finitura:	non presente

## Impostazione generale

Servizi remoti:	Abilitato/a
Download software remoto:	Abilitato/a
Tempo trasmis. Servizi Oro:	17:27
Xerox Workplace Cloud	Abilitato/a
Avvisi e-mail:	Disabilitato/a
Piano di assistenza:	Monitorato
Regione geografica	Sconosciuto
Sfalsamento GMT:	+05:30
Installazione clonazione	Consentito (solo file crittografati)
Condivisione file	Abilitato/a
JBIG2	Senza perdita di dati

### Risparmio energetico

Economizzatore:	Abilitato/a
Modo risparmio energetica:	Attivato dal lavoro
Sensore di prossimità intelli...	Non disponibile

Riattiva all'avvicinamento:

Sospendi all'allontanamento:

## Versioni software

Software dispositivo:	122.026.005.02900
Versione patch:	No
Controller di rete:	122.026.02900
Firmware pannello IU:	6.2
Motore di contrassegno:	230.319
Stazione di finitura:	000.000.000
Aggiornamenti macchina:	Consentita
Ultimo aggiornamento riuscito:	Febbraio 5, 2025 06:37:45

## Vassoi carta

Vassoio 1:	Standard, Bianco and A4 (210 x 297 mm)
Vassoio 2:	Standard, Bianco and A4 (210 x 297 mm)
Vassoio 3:	Standard, Bianco and A4 (210 x 297 mm)
Vassoio 4:	Standard, Bianco and A4 (210 x 297 mm)
Vassoio 5:	Standard, Bianco and A4 (210 x 297 mm)
Vassoio bypass:	Standard, Bianco and Letter (8,5 x 11...)

## Opzioni installate

PS:	Installato
-----	------------

## Connettività

### Flussi di lavoro mobili

Stampa AirPrint:	Abilitato/a
Rilevamento stampa Mopria:	Abilitato/a
Connessione fisica	
Impostazioni USB	
Porte USB tipo A	Tutti abilitati
Porta USB tipo B	Disabilitato/a
Cablato:	
Indirizzo MAC Ethernet:	Abilitato/a
Impostazione speed/duplex Ethernet:	12:57:d3:6c:cb:6a
Wireless:	Impost. autom.
Indirizzo MAC wireless:	Disabilitato/a
Nome rete (SSID):	
BSSID:	
Modo sicurezza:	
Algoritmo di crittografia:	
Stato:	
Wi-Fi Direct:	Abilitato/a
Hardware wireless:	Non installata
Nome WPS (Wi-Fi Protected Setup):	
Punto di accesso (SSID):	
Mostra password sullo schermo sensibile d...	
NFC:	Abilitato/a
iBeacon (Bluetooth®) per l'individuazione...	Abilitato/a
Hardware iBeacon:	Non installata
Indirizzo dispositivo Bluetooth:	
Indirizzo IP iBeacon:	

## Protocolli

TCP/IPv4:	Abilitato/a
Indirizzo IP:	10.61.16.154
Subnet mask:	255.255.255.0
Router/gateway:	10.61.16.1
Indirizzamento automatico:	DHCP
Server DHCP:	10.61.13.224
Scadenza lease DHCP:	Thu Feb 13 00:35:32 2025
Broadcast BOOTP:	Disabilitato/a
Stato indirizzi autoassegnati:	Abilitato/a
Indirizzo autoassegnato:	
TCP/IPv6:	Abilitato/a
Indirizzo locale rispetto al collega...	fe80::1057:d3ff:fe6c:cb6a
Usa prefisso router fornito:	Abilitato/a
Indirizzo globale stateless 1:	fd00:0:2:116:1057:d3ff:fe6c:cb6a
Indirizzo globale stateless 2:	::
Indirizzo manuale:	
Creazione indirizzi DHCP:	Utilizza DHCP in base alle istruzioni del r...
Indirizzo DHCP:	
Gateway di default:	fe80::8afc:5dff:fe75:e282
DUID (Identificativo univoco DHCP):	

### Impostazioni DNS:

Nome host obbligatorio:	XXR1257D36CCB6A
Nome host verificato:	
Nome dominio obbligatorio:	
Nome dominio verificato:	
DNS Multicast:	Abilitato/a
Rilascio registrazioni DNS e lease D...	Disabilitato/a
Server DNS primario:	10.61.7.15
Preferisci indirizzo DNS IPv6 rispetto a 1...	Abilitato/a

### Bonjour:

Nome stampante Bonjour:	Xerox VersaLink C620 (6C:CB:6A)
-------------------------	---------------------------------

### HTTP:

Forza traffico sulla connessione protetta...	Abilitato/a
IPP	Si
	Abilitato/a

### SNMP

SNMP v1/v2:	Abilitato/a
SNMP v3:	Disabilitato/a

### LPR/LPD:

Stampa IP semplice:	Abilitato/a
---------------------	-------------

### LDAP

Server LDAP 1 - Indirizzo LDAP primo...	0.0.0.389
Server LDAP 1 - Directory principale di ric...	Translation Not Found
Server LDAP 1 - Connessione protetta (L...	Disabilitato/a
Server LDAP 1 - Convalida certificato serv...	Disabilitato/a

### SMTP

Server SMTP:	0.0.0.25
Crittografia connessione (TLS):	Nessuna crittografia
Convalida certificato server (TLS):	

**Protocolli (cont.)**

NTP:	Disabilitato/a
Client FTP:	Abilitato/a
Modo Clienti FTP:	Passivo
Servizi Web sul dispositivo:	Abilitato/a

**App**

**Stampa**

Foglio di identificazione:	Abilitato/a
Fogli di errore:	Abilitato/a
Sostituzione carta:	Abilitato/a
Priorità vassoio:	1,2,3,4,5,6
Modo Contrassegno di archiviazione:	No
PostScript:	Installato
Livello:	3
Versione:	3021.101
<b>PCL</b>	
Versione:	6
Nome font:	Courier
<b>Tabelle colori personalizzate</b>	
Etichetta:	Non installata
<b>Stampa da:</b>	Abilitato/a
Lavori salvati per ristampa:	Abilitato/a
Stampa da USB:	Abilitato/a
Servizi cloud:	Disabilitato/a

**Contabilità**

Modalità di contabilità:	No
Contabilità di rete:	Disabilitato/a

**Protezione**

**Configurazione autenticazione**

<b>Autenticazione IU macchina:</b>	Localmente sul dispositivo
Casa:	Non bloccato
Percorso lavoro:	Non bloccato
Percorso stampante:	Non bloccato
Autenticazione sito Web del disposit...	Localmente sul dispositivo
Autorizzazione:	Localmente sul dispositivo

**Server di autenticazione:**

<b>Xerox Secure Access:</b>	Kerberos
<b>Registro di controllo:</b>	Disabilitato/a
<b>IPsec:</b>	Abilitato/a
<b>Filtro IP:</b>	Disabilitato/a
<b>Certificati di protezione</b>	Disabilitato/a

Certificato macchina:	Firmato
Certificati radice installati:	54
<b>802.1x:</b>	Disabilitato/a

**Rimozione dati lavoro:**

Programmato:	Disabilitato/a
<b>FIPS 140-3:</b>	Disabilitato/a

<b>TLS:</b>	TLS 1.2 e TLS 1.3
-------------	-------------------

Hash TLS:	SHA-1, SHA-256 e superiore
<b>Trellix Embedded Control:</b>	Protezione migliorata

### Dati utente comuni

Nome macchina:	Xerox VersaLink C620 (6C:CB:6A)
Indirizzo IP:	10.61.16.154
Numero di serie macchina:	UMQ000558
URL macchina:	https://10.61.16.154
Data di attivazione macchina:	Jul 09, 2024 21:15:45
Impressioni nero:	1471
Impressioni colore:	2876
Totale impressioni:	4347

### Profilo macchina

Targhetta parte Xerox	
Targhetta parte cliente	
Numero di telefono assistenza:	
Numero assistenza clienti:	
Numero di telefono materiali di cons...	
Amministratore di sistema:	Nome amministratore di sistema non i...
Posizione macchina:	Posizione macchina non impostata

### Gestito da

Server MB primario:

### Hardware macchina

Scheda interfaccia esterna:	non presente
Dimensioni RAM dispositivo:	1984 MB
Spazio di archiviazione dispositivo:	usato=2968MB/totale=14004MB (eMMC)
Dimensioni memoria EPC:	187 MB
Kit di produttività:	Non installata
Tipo di staz. di finitura:	Vassoio semplice
Perforatrice staz. di finitura:	No
Piegatrice della stazione di finitura:	non presente

### Impostazione generale

Servizi remoti:	Abilitato/a
Download software remota:	Abilitato/a
Tempo trasmis. Servizi Ora:	17:27
Xerox Workplace Cloud	Abilitato/a
Avvisi e-mail:	Disabilitato/a
Piano di assistenza:	Monitorato
Regione geografica	Scانسosciuto
Report config. avvio:	Disabilitato/a
Sfalsamento GMT:	+05:30
Installazione clonazione	Consentito (solo file crittografati)
Consenti invio alla stampa dei file di clona...	Abilitato/a
Condivisione file	Abilitato/a
JBIG2	Senza perdita di dati

### Risparmio energetico

Economizzatore:	Abilitato/a
Modo risparmio energetico:	Attivato dal lavoro
Timer modalità risp. aliment.:	120 minuti
Spegnimento automatico:	Disabilitato/a

### Versioni software

Software dispositivo:	122.026.005.02900
Versione patch:	No
Controller di rete:	122.026.02900
Firmware pannello IU:	6.2
Interfaccia utente:	122.026.02900
Motore di contrassegno:	230.319
Stazione di finitura:	000.000.000
OS:	230.319
Aggiornamento software:	005.009
Aggiornamento software ALTBOOT:	005.009
Vassoio 2:	A15.51_B2.3
Vassoio 3:	A15.51_B2.3
Vassoio 4:	A15.51_B2.3
Vassoio 5:	A15.51_B2.3

### Aggiornamenti macchina:

Ultimo aggiornamento riuscito:	Febbraio 5, 2025 06:37:45
Aggiornamenti automatici programmati:	Disabilitato/a
Ora di avvio aggiornamento automatico:	Ogni giorno
Server aggiornamento automatico:	0.0.0.21

### Vassoi carta

Vassoio 1:	Standard, Bianco and A4 (210 x 297 mm)
Vassoio 2:	Standard, Bianco and A4 (210 x 297 mm)
Vassoio 3:	Standard, Bianco and A4 (210 x 297 mm)
Vassoio 4:	Standard, Bianco and A4 (210 x 297 mm)
Vassoio 5:	Standard, Bianco and A4 (210 x 297 mm)
Vassoio bypass:	Standard, Bianco and Letter (8,5 x 11...)

### Connettività

#### Flussi di lavoro mobili

Stampa AirPrint:	Abilitato/a
Rilevamento stampa Mopria:	Abilitato/a
Stampa universale:	Disabilitato/a
Stato di registrazione stampa univer...	Non registrato

#### Connessione fisica

Impostazioni USB	Tutti abilitati
Porta USB tipo A	Disabilitato/a
Porta USB tipo B	5 secondi
Timeout di connessione	Abilitato/a
Cablato:	12:57:d3:6c:b:6a
Indirizzo MAC Ethernet:	Impost. autom.
Impostazione speed/duplex Ethernet:	Disabilitato/a

#### Wireless:

Indirizzo MAC wireless:	
Nome rete (SSID):	
BSSID:	
Modo sicurezza:	
Algoritmo di crittografia:	
Stato:	
Wi-Fi Direct:	Abilitato/a

Hardware wireless:	Non installata
Nome WPS (Wi-Fi Protected Setup):	

Metodo di connessione:	
Indirizzo prefisso subnet:	
Punto di accesso (SSID):	
Mostra password sullo schermo sensibile d...	

NFC:	Abilitato/a
iBeacon (Bluetooth®) per l'individuazione...	Abilitato/a
Hardware iBeacon:	Non installata
Indirizzo dispositivo Bluetooth:	
Indirizzo IP iBeacon:	

### Protocolli

#### TCP/IPv4:

Indirizzo IP:	Abilitato/a
Subnet mask:	10.61.16.154
Router/gateway:	255.255.255.0
Indirizzamento automatico:	10.61.16.1
Server DHCP:	DHCP
Scadenza lease DHCP:	10.61.13.224
Broadcast BOOTP:	Thu Feb 13 00:35:32 2025
Stato indirizzi autoassegnati:	Disabilitato/a
Indirizzo autoassegnato:	Abilitato/a

#### TCP/IPv6:

Indirizzo locale rispetto al collega...	Abilitato/a
Usa prefisso router fornito:	fe80::1057:d3ff:fe6c:cb6a
Indirizzo globale stateless 1:	Abilitato/a
Indirizzo globale stateless 2:	fd00:0:2:116:1057:d3ff:fe6c:cb6a
Indirizzo manuale:	::

Creazione indirizzi DHCP:	Utilizza DHCP in base alle istruzioni del r...
---------------------------	--

Indirizzo DHCP:	
Gateway di default:	fe80::8afc:5dff:fe75:e282

#### DUID (Identificativo univoco DHCP):

Nome host obbligatorio:	
Nome host verificato:	
Nome dominio obbligatorio:	
Nome dominio verificato:	XRX1257D36CCB6A

### Impostazioni DNS:

DNS Multicast:	Abilitato/a
Rilascia registrazioni DNS e lease D...	Disabilitato/a
Server DNS primario:	10.61.7.15
Primo server DNS alternativo:	10.61.10.6
Secondo server DNS alternativo:	::
Timeout connessione DNS:	5
Aggiungi dominio dispositivo:	Abilitato/a
Aggiungi domini superiori:	Disabilitato/a
Elenco di ricerca nomi dominio DNS:	XEROXQA.COM.
Preferisci indirizzo DNS IPv6 rispetto a l...	Abilitato/a

### Opzioni installate

PS:	Installato
-----	------------

**Protocolli (cont.)**

<b>Bonjour:</b>	
Nome stampante Bonjour:	Xerox VersaLink C620 (6C:CB:6A)
<b>HTTP:</b>	
Numero porta:	80
Forza traffico sulla connessione protetta:	Si
Numero porta HTTP protetto:	443
Server proxy:	Manuale
Indirizzo server proxy:	10.177.8.91:8080
JPP:	Abilitato/a
Modo IPP protetto:	IPP e IPPS protetto
Percorso di rete IPP:	http://10.61.16.154:631
<b>SNMP</b>	
SNMP v1/v2:	Abilitato/a
SNMP v3:	Disabilitato/a
<b>LPR/LPD:</b>	
Numero porta:	Abilitato/a
Commutazione PDL:	515
Precedenza pagina di intestazione PDL:	Disabilitato/a
Precedenza pagina di intestazione PDL:	Disabilitato/a
<b>Stampa IP semplice:</b>	
Numero porta 1:	Abilitato/a
Bidirezionale:	9100
Timeout fine lavoro:	Disabilitato/a
Commutazione PDL:	300
Commutazione PDL:	Disabilitato/a
<b>LDAP</b>	
Server LDAP 1 - Nome descrittivo:	
Server LDAP 1 - Indirizzo LDAP prima...	0.0.0.0:389
Server LDAP 1 - Indirizzo LDAP alter...	0.0.0.0:389
Server LDAP 1 - Directory principale di tit...	Translation Not Found
Server LDAP 1 - Connessione protetta (L...	Disabilitato/a
Server LDAP 1 - Convalida certificato serv...	Disabilitato/a
<b>SMTP</b>	
Server SMTP:	0.0.0.0:25
Crittografia connessione (TLS):	Nessuna crittografia
Convalida certificato server (TLS):	
Dimensioni max messaggio (KB):	10240
Numero di frammenti:	1
Dimensioni totali lavoro (KB):	300000
Limite divisione lavoro:	Pagina completa
Credenziali per e-mail automatiche:	No
<b>POP3</b>	
Server POP3:	0.0.0.0:110
Connessione protetta POP3 (TLS):	Disabilitato/a
Indirizzo e-mail:	
Ricezione e-mail tramite POP3:	Disabilitato/a
Invia conferma su richiesta:	Abilitato/a
Foglio int. e-mail in arrivo:	Abilitato/a
<b>NTP:</b>	
Server primario:	Disabilitato/a
Server alternativo:	0.0.0.0:123
Server alternativo:	0.0.0.0:123
<b>SLP:</b>	
Client FTP:	Disabilitato/a
Modo Client FTP:	Abilitato/a
Client FTP:	Passivo
<b>Servizi Web sul dispositivo:</b>	
WS-Discovery:	Abilitato/a
WS-Discovery Multicast:	Abilitato/a
WS-Print:	Abilitato/a
<b>Servizi web</b>	
Configurazione di protezione e gestione ce...	Abilitato/a
Registrazione servizi estesi:	Abilitato/a
Limiti lavoro:	Abilitato/a
Estensione di Gestione lavori:	Abilitato/a
Configurazione dispositivo:	Abilitato/a
Dati sessione:	Abilitato/a
Configurazione interfaccia utente:	Abilitato/a
Configurazione proxy EIP:	Abilitato/a
Xerox Secure Access:	Disabilitato/a
Configurazione SNMP EIP:	Abilitato/a
Invio stampa:	Abilitato/a
Accesso all'archiviazione di massa:	Abilitato/a
Accesso al lettore schede:	Abilitato/a
Configurazione di autenticazione e contabi...	Abilitato/a
Esporta registro di controllo:	Abilitato/a
Trellix Embedded Control:	Abilitato/a

**App**

**Stampa**

Foglio di identificazione:	Abilitato/a
Lavoro/pagina di avvio:	Disabilitato/a
Cancella lavori trattenuti dopo:	3 Day(s) 0 Hour(s) 0 Minute(s)
Fogli di errore:	Abilitato/a
Sostituzione carta:	Abilitato/a
Priorità vassoio:	1,2,3,4,5,6
Copie predefinite:	1
Tipo di lavoro predefinito:	Stampa di prova
Formato carta di default:	x=8.50 inches, y=11.00 inches
Colore carta predefinito:	Bianco
Stampa fronte/retro predefinita:	Fronte/retro
Vassoio di uscita predefinito:	Vassoio centrale
Colore di uscita predefinito:	Colore
Fascicoli predefiniti:	Abilitato/a
Pinzatura predefinita:	Senza pinzatura
Sfalsamento fra lavori:	Nessuno sfalsamento
<b>Modo Contrassegno di archiviazione</b>	
<b>PostScript</b>	
Livello:	Installato
Versione:	3
Qualità immagine:	3021.101
Qualità immagine:	Avanzata
<b>PCL</b>	
Versione:	6
Dimensione passo:	10.00
Dimensione punti:	12.00
Name font:	Courier
Righe per pagina:	60
Tabelle colori personalizzate:	Abilitato/a
Etichetta:	Non installata
<b>Stampa da:</b>	
Lavori salvati per ristampa:	Abilitato/a
Stampa da USB:	Abilitato/a
Servizi cloud:	Abilitato/a

**Contabilità**

Modalità di contabilità:	No
Contabilità di rete:	Disabilitato/a

**Protezione****Configurazione autenticazione**

Autenticazione IU macchina:	Localmente sul dispositivo
Casa:	Non bloccato
Percorso lavori:	Non bloccato
Percorso stampante:	Non bloccato
Autenticazione sito Web del disposit...	Localmente sul dispositivo
Autorizzazione:	Localmente sul dispositivo

**Server di autenticazione:**

Settore Kerberos primario:	
Indirizzo Kerberos primario:	0.0.0.0:88
Settore Kerberos alt. 1:	
Indirizzo Kerberos alt. 1:	0.0.0.0:88
Dominio NT SMB:	
Dominio NT SMB alt. 1:	
Server controllo Smartcard:	0.0.0.0:443
Dominio controllo Smartcard:	
URL OCSP SmartCard:	
Criteri di aggiornamento lettore sch...	Abilitato/a
Versione firmware lettore schede:	

**Xerox Secure Access:**

Server accesso protetto:	Disabilitato/a
Percorso accesso protetto:	0.0.0.0:443

**Registro di controllo:**

	Abilitato/a
--	-------------

**IPsec:**

	Disabilitato/a
--	----------------

**Filtro IP:**

	Disabilitato/a
--	----------------

**Certificati di protezione**

Certificato macchina:	Firmato
-----------------------	---------

**802.1x:**

Certificati radice installati:	54
--------------------------------	----

**802.1x:**

	Disabilitato/a
--	----------------

**Rimozione dati lavoro:**

Programmato:	Disabilitato/a
--------------	----------------

**Frequenza programmata:**

	Mensile
--	---------

**FIPS 140-3:**

	Disabilitato/a
--	----------------

**TLS:**

Hosh TLS:	TLS 1.2 e TLS 1.3
-----------	-------------------

**Trellix Embedded Control:**

	SHA-1, SHA-256 e superiore
--	----------------------------

	Protezione migliorata
--	-----------------------

**Impostazione servizio estensibile**

Browser di terza generazione:	X3G_3.24.23_2.40.5_012_01.00.00
Versione Widget:	v1.3.17 c8 20140613
Versione Widget:	v2.5.04 g9 20240123

# Riepilogo fatturazione

## Informazioni sul sistema

Nome macchina: Xerox VersaLink C620 (6C:CB:6A)  
Numero di serie macchina: UMQ000558  
Impressioni dall'avvio: 129

**Versioni software**  
Software dispositivo: 122.026.005.02900  
Versione patch: No  
Controller di rete: 122.026.02900  
Firmware pannello IU: 6.2  
Motore di stampa: 230.319  
Stazione di finitura: 000.000.000

## Contatori di fatturazione

### Stampa

Impressioni in bianco e nero stampate: 1472  
Impressioni a colori stampate: 2877

Carta normale: 94

## Totali dispositivi

Impressioni nero: 1472  
Impressioni colore: 2877  
Impressioni totali: 4349

## Kellékfelhasználás

Kellékrendelési információk:  
[www.xerox.com/office/supplies](http://www.xerox.com/office/supplies)

## Fogyóanyagok

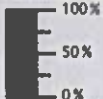
## Festékkazetták



## Fekete

Üzembe helyezés dátuma: Jan 21, 2025  
Utánrendelés: 006R04648  
Becsült fennmaradó oldalszám: 20000  
(A festékkazetta átlagos fedettségét alapul véve: 3%)

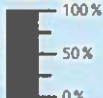
Hátralévő élet.



## Ciánkék

Üzembe helyezés dátuma: Nov 30, 2022  
Utánrendelés: 006R04649  
Becsült fennmaradó oldalszám: 12000  
(A festékkazetta átlagos fedettségét alapul véve: 3%)

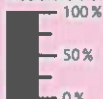
Hátralévő élet.



## Bíbor

Üzembe helyezés dátuma: Sep 25, 2024  
Utánrendelés: 006R04618  
Becsült fennmaradó oldalszám: 6000  
(A festékkazetta átlagos fedettségét alapul véve: 1%)

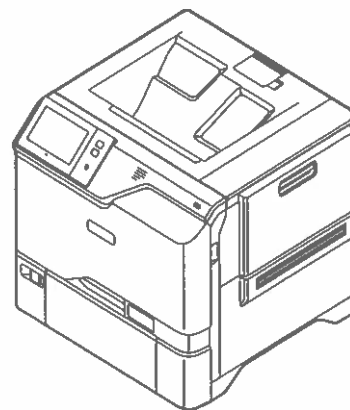
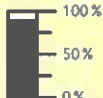
Hátralévő élet.



## Sárga

Üzembe helyezés dátuma: Jan 21, 2025  
Utánrendelés: 006R04667  
Becsült fennmaradó oldalszám: 11000  
(A festékkazetta átlagos fedettségét alapul véve: 1%)

Hátralévő élet.



## Rutin karbantartási elemek

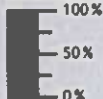
## Képalkotó egységek



## Fekete képalkotó készlet

Üzembe helyezés dátuma: Jan 23, 2025  
Utánrendelés: 013R00697  
Becsült fennmaradó oldalszám: 150000  
(Nyomtató átlagos munkamérete alapján: 1 Oldalak)

Hátralévő élet.



## Színes képalkotó készlet

Üzembe helyezés dátuma: Jan 23, 2025  
Utánrendelés: 013R00698  
Becsült fennmaradó oldalszám: 150000  
(Nyomtató átlagos munkamérete alapján: 1 Oldalak)

Hátralévő élet.



## Hulladéktartály



Üzembe helyezés dátuma: Unknown  
Utánrendelés: 008R13334



Majdnem tele

# Számlázási összegzés

## Rendszeradatok

Gép neve:	Xerox VersaLink C620 (6C:CB:6A)	Szoftververziók	
Gép gyári száma:	UMQ000558	Készüléksoftver:	122.026.005.02900
Bekapcsoláskori lenyomatok:	98	Javítófájl verziója:	None
		Hálózatvezérlő:	122.026.02900
		Felhasználói kezelőfelület paneljének firmware-je:	6.2
		Jelölőmotor:	230.319
		Finiser:	000.000.000

## Számlázásmérők

### Nyomatás

Fekete-fehér nyomtatott lenyomatok:	1463
Színes nyomtatott lenyomatok:	2855

## Készülék összesenjei

Fekete lenyomatok:	1463
Színes lenyomatok:	2855
Összes lenyomat:	4318

Sima papír: 71

**Common User Data**

Machine Name: Xerox VersaLink C620 (6C:CB:6A)  
 IP Address: 10.61.16.154  
 Machine Serial Number: UMQ000558  
 Machine URL: https://10.61.16.154  
 Machine Activation Date: Jul 09, 2024 21:15:45  
 Black Impressions: 1462  
 Color Impressions: 2854  
 Total Impressions: 4316

**Machine Profile**

Xerox Asset Tag:  
 Customer Asset Tag:  
 Service Phone Number:  
 Customer Support Number:  
 Supplies Phone Number:  
 System Administrator: System Administrator name not set  
 Machine Location: machine location not set  
**Managed By**  
 Primary MB Server:

**Machine Hardware**

Foreign Interface Card: not present  
 Device RAM Size: 1984 MB  
 Device Storage Size: used=2942MB/total=0MB (eMMC)  
 EPC Memory Size: 187 MB  
 Productivity Kit: Not Installed  
 Finisher Type: Simple Catch Tray  
 Finisher Punch: None  
 Finisher Folder: not present

**General Setup**

Remote Services: Enabled  
 Remote Software Download: Enabled  
 Remote Services Trans. Time: 17:27  
 Xerox Workplace Cloud: Enabled  
 E-mail Alerts: Disabled  
 Service Plan: Metered  
 Geographic Region: unknown  
 GMT Offset: +05:30  
 Cloning Installation: Allowed (Encrypted Files Only)  
 File Sharing: Enabled  
 JBIG2: Lossless

**Energy Saver**

Deep Sleep: Enabled  
 Energy Saver Mode: Job Activated  
**Smart Proximity Sensor**  
 Wake on Arrival: Not Available  
 Sleep on Departure:

**Software Versions**

Device Software: 122.026.005.02900  
 Patch Version: None  
 Network Controller: 122.026.02900  
 UI Panel Firmware: 6.2  
 Marking Engine: 230.319  
 Finisher: 000.000.000  
**Machine Upgrades:**  
 Last Successful Upgrade: February 5, 2025 06:37:45

**Media Trays**

Tray 1: Plain, White and A4 (210 x 297 mm)  
 Tray 2: Plain, White and A4 (210 x 297 mm)  
 Tray 3: Plain, White and A4 (210 x 297 mm)  
 Tray 4: Plain, White and A4 (210 x 297 mm)  
 Tray 5: Plain, White and A4 (210 x 297 mm)  
 Bypass Tray: Plain, White and Letter (8.5 x 11")

**Installed Options**

PS: Installed

**Connectivity**

**Mobile Workflows**

AirPrint Printing: Enabled  
 Mopria Printing: Enabled

**Physical Connections**

**USB Settings**  
 USB Type A Ports: All Enabled  
 USB Type B Port: Disabled  
**Wired:**  
 Ethernet MAC Address: Enabled  
 Ethernet Speed/Duplex Setting: 12:57:d3:6c:cb:6a  
 auto  
 Disabled

**Wireless:**

Wireless MAC Address:  
 Network Name (SSID):  
 BSSID:  
 Security Mode:  
 Encryption Algorithm:  
 Status:

**Wi-Fi Direct:** Enabled  
 Wireless Hardware: Not Installed

Wi-Fi Protected Setup (WPS) Name:  
 Access Point (SSID):  
 Show Password on Device Touch Screen:

**NFC:** Enabled  
**iBeacon (Bluetooth®) for AirPrint Di...** Enabled  
 iBeacon Hardware: Not Installed  
 Bluetooth Device Address:  
 iBeacon IP Address:

**Protocols**

**TCP/IPv4:**

Enabled  
 IP Address: 10.61.16.154  
 Subnet Mask: 255.255.255.0  
 Router/Gateway: 10.61.16.1  
 Automatic Addressing: DHCP  
 DHCP Server: 10.61.13.224  
 DHCP Lease Expiration: Thu Feb 13 00:35:32 2025  
 BOOTP Broadcast: Disabled  
 Self Assigned Address State: Enabled  
 Self Assigned Address:

**TCP/IPv6:**

Enabled  
 Link Local Address: fe80::1057:d3ff:fe6c:cb6a  
 Use Router Supplied Prefix: Enabled  
 Stateless Global Address 1: fd00:0:2:116:1057:d3ff:fe6c:cb6a  
 Stateless Global Address 2: ::  
 Manual Address:  
 DHCP Addressing: Use DHCP as directed by a router  
 DHCP Address:  
 Default Gateway: fe80::8afc:5dff:fe75:e282  
 DUID (DHCP Unique Identifier):

**DNS Settings:**

Requested Host Name: XRX1257D36CCB6A  
 Verified Host Name:  
 Requested Domain Name:  
 Verified Domain Name:  
 Multicast DNS: Enabled  
 Release DHCP Leases and DNS Registrati... Disabled  
 Primary DNS Server: 10.61.7.15  
 Prefer IPv6 DNS over IPv4: Enabled

**Bonjour:**

Bonjour Printer Name: Xerox VersaLink C620 (6C:CB:6A)

**HTTP:**

Force Traffic over Secure Connection (H... Enabled  
 IPP: Yes  
 Enabled

**SNMP**

SNMP v1/v2: Enabled  
 SNMP v3: Disabled

**LPR/LPD:**

Enabled

**Raw IP Printing:**

Enabled

**LDAP**

LDAP Server 1 Primary LDAP Address: 0.0.0.0:389  
 LDAP Server 1 Search Directory Root: Translation Not Found  
 LDAP Server 1 Secure Connection (LDA... Disabled  
 LDAP Server 1 Validate Server Certificate... Disabled

**SMTP**

SMTP Server: 0.0.0.0:25  
 Connect Encryption (TLS): No Encryption  
 Validate Server Certificate (TLS):

**Protocols (cont.)**

NTP:	Disabled
FTP Client:	Enabled
FTP Client Mode:	Passive
Web Services on Device:	Enabled

**Apps**

**Printing**

Banner Sheet:	Enabled
Error Sheets:	Enabled
Paper Substitution:	Enabled
Troy Priority:	1,2,3,4,5,6
Archival Marking Mode:	Off
PostScript:	Installed
Level:	3
Version:	3021 101
PCL:	
Version:	6
Font Name:	Courier
Custom Color Tables:	Enabled
Label:	Not Installed
Print From:	Enabled
Saved Jobs for Reprint:	Enabled
Print From USB:	Enabled
Cloud Services:	Disabled

**Accounting**

Accounting Mode:	None
Network Accounting:	Disabled

**Security**

**Authentication Configuration**

Machine UI Authentication:	Locally on the Device
Home:	Unlocked
Jobs Pathway:	Unlocked
Printer Pathway:	Unlocked
Device Website Authentication:	Locally on the Device
Authorization:	Locally on the Device

**Authentication Server:**

**Xerox Secure Access:**

Disabled

Enabled

Disabled

Disabled

802.1x: Disabled

Job Data Removal:

Scheduled: Disabled

FIPS 140-3: Disabled

TLS:

TLS 1.2 and TLS 1.3

SHA-1, SHA-256 and above

Trellix Embedded Control: Enhanced Security

**Common User Data**

Machine Name: Xerox VersaLink C620 (6C:CB:6A)  
 IP Address: 10.61.16.154  
 Machine Serial Number: UMQ000558  
 Machine URL: https://10.61.16.154  
 Machine Activation Date: Jul 09, 2024 21:15:45  
 Black Impressions: 1463  
 Color Impressions: 2855  
 Total Impressions: 4318

**Machine Profile**

Xerox Asset Tag:  
 Customer Asset Tag:  
 Service Phone Number:  
 Customer Support Number:  
 Supplies Phone Number:  
 System Administrator:  
 Machine Location:  
**Managed By**  
 Primary MB Server:

**Machine Hardware**

Foreign Interface Card: not present  
 Device RAM Size: 1984 MB  
 Device Storage Size: used=2942MB/total=14004MB (eMMC)  
 EPC Memory Size: 187 MB  
 Productivity Kit: Not Installed  
 Finisher Type: Simple Catch Tray  
 Finisher Punch: None  
 Finisher Folder: not present

**General Setup**

Remote Services: Enabled  
 Remote Software Download: Enabled  
 Remote Services Trans. Time: 17:27  
 Xerox Workplace Cloud: Enabled  
 E-mail Alerts: Disabled  
 Service Plan: Metered  
 Geographic Region: unknown  
 Startup Config Report: Disabled  
 GMT Offset: +05:30  
 Cloning Installation: Allowed (Encrypted Files Only)  
 Allow Print Submission of Clone Files: Enabled  
 File Sharing: Enabled  
 JBIG2: Lossless  
**Energy Saver**  
 Deep Sleep: Enabled  
 Energy Saver Mode: Job Activated  
 Sleep Mode Timer: 120 minutes  
 Auto-Off: Disabled

**Software Versions**

Device Software: 122.026.005.02900  
 Patch Version: None  
 Network Controller: 122.026.02900  
 UI Panel Firmware: 6.2  
 User Interface: 122.026.02900  
 Marking Engine: 230.319  
 Finisher: 000.000.000  
 OS: 230.319  
 Software Upgrade: 005.009  
 ALTB00T Software Upgrade: 005.009  
 Tray 2: A15.51\_B2.3  
 Tray 3: A15.51\_B2.3  
 Tray 4: A15.51\_B2.3  
 Tray 5: A15.51\_B2.3

**Machine Upgrades:**

Last Successful Upgrade: February 5, 2025 06:37:45  
 Scheduled Auto Upgrades: Disabled  
 Auto Upgrade Start Time: Daily  
 Auto Upgrade Server: 0.0.0.21

**Media Trays**

Tray 1: Plain, White and A4 (210 x 297 mm)  
 Tray 2: Plain, White and A4 (210 x 297 mm)  
 Tray 3: Plain, White and A4 (210 x 297 mm)  
 Tray 4: Plain, White and A4 (210 x 297 mm)  
 Tray 5: Plain, White and A4 (210 x 297 mm)  
 Bypass Tray: Plain, White and Letter (8.5 x 11")

**Connectivity**

**Mobile Workflows**

AirPrint Printing: Enabled  
 Mopria Printing: Enabled  
 Universal Print: Disabled  
 Universal Print Registration Status: Not Registered

**Physical Connections**

**USB Settings**  
 USB Type A Ports: All Enabled  
 USB Type B Port: Disabled  
 Connection Timeout: 5 seconds

**Wired:**

Ethernet MAC Address: 12:57:d3:6c:cb:6a  
 Ethernet Speed/Duplex Setting: auto  
 Disabled

**Wireless:**

Wireless MAC Address:  
 Network Name (SSID):  
 BSSID:  
 Security Mode:  
 Encryption Algorithm:  
 Status:  
 Enabled

**Wi-Fi Direct:**

Wireless Hardware: Not Installed

**Wi-Fi Protected Setup (WPS) Name:**

Connection Method:  
 Subnet Prefix Address:  
 Access Point (SSID):  
 Show Password on Device Touch Screen:

**NFC:**

iBeacon (Bluetooth®) for AirPrint Di...: Enabled  
 iBeacon Hardware: Enabled  
 Bluetooth Device Address: Not Installed  
 iBeacon IP Address:

**Protocols**

**TCP/IPv4:**

Enabled  
 IP Address: 10.61.16.154  
 Subnet Mask: 255.255.255.0  
 Router/Gateway: 10.61.16.1  
 Automatic Addressing: DHCP  
 DHCP Server: 10.61.13.224  
 DHCP Lease Expiration: Thu Feb 13 00:35:32 2025  
 BOOTP Broadcast: Disabled  
 Self Assigned Address State: Enabled  
 Self Assigned Address:

**TCP/IPv6:**

Enabled  
 Link Local Address: fe80::1057:d3ff:fe6c:cb6a  
 Use Router Supplied Prefix: Enabled  
 Stateless Global Address 1: fd00:0:2:116:1057:d3ff:fe6c:cb6a  
 Stateless Global Address 2: ::  
 Manual Address:  
 DHCP Addressing: Use DHCP as directed by a router  
 DHCP Address:  
 Default Gateway: fe80::8afc:5dff:fe75:e282  
 DUID (DHCP Unique Identifier):

**DNS Settings:**

Requested Host Name: XRX1257D36CCB6A  
 Verified Host Name:  
 Requested Domain Name:  
 Verified Domain Name:  
 Multicast DNS: Enabled  
 Release DHCP Leases and DNS Registrati...: Disabled  
 Primary DNS Server: 10.61.7.15  
 Alternate DNS Server 1: 10.61.10.6  
 Alternate DNS Server 2: ::  
 DNS Connection Timeout: 5  
 Append Device Domain: Enabled  
 Append Parent Domains: Disabled  
 DNS Domain Search List: XEROXQA.COM.  
 Prefer IPv6 DNS over IPv4: Enabled

**Installed Options**

PS: Installed

**Protocols (cont.)**

<b>Bonjour:</b>	
Bonjour Printer Name:	Xerox VersaLink C620 (6C.CB:6A)
<b>HTTP:</b>	
Port Number:	80
Force Traffic over Secure Connection (H...):	Yes
Secure HTTP Port Number:	443
Proxy Server:	Manual
Proxy Server Address:	10.177.8.91:8080
IPP:	Enabled
Secure IPP Mode:	IPP and Secure IPPS
IPP Network Path:	http://10.61.16.154:631
<b>SNMP:</b>	
SNMP v1/v2:	Enabled
SNMP v3:	Disabled
<b>LPR/LPD:</b>	
Port Number:	515
PDL Switching:	Disabled
PDL Banner Override:	Disabled
<b>Raw IP Printing:</b>	
Port Number 1:	9100
Bi-directional:	Disabled
End of Job Timeout:	300
PDL Switching:	Disabled
<b>LDAP:</b>	
LDAP Server 1 Friendly Name:	
LDAP Server 1 Primary LDAP Address:	0.0.0.0:389
LDAP Server 1 Alternate LDAP Address:	0.0.0.0:389
LDAP Server 1 Search Directory Root:	Translation Not Found
LDAP Server 1 Secure Connection (LDA...):	Disabled
LDAP Server 1 Validate Server Certificate...	Disabled
<b>SMTP:</b>	
SMTP Server:	0.0.0.0:25
Connect Encryption (TLS):	No Encryption
Validate Server Certificate (TLS):	
Max Message Size (KB):	10240
Number of Fragments:	1
Total Job Size (KB):	300000
Job Splitting Boundary:	Page Boundary
Credentials for Auto E-mails:	None
<b>POP3:</b>	
POP3 Server:	0.0.0.0:110
POP3 Secure Connection (TLS):	Disabled
E-mail Address:	
Receipt of E-mail via POP3:	Disabled
Send Confirmation Request:	Enabled
Incoming E-mail cover sheet:	Enabled
<b>NTP:</b>	
Primary Server:	0.0.0.0:123
Alternate Server:	0.0.0.0:123
<b>SLP:</b>	
SLP:	Disabled
<b>FTP Client:</b>	
FTP Client Mode:	Passive
<b>Web Services on Device:</b>	
WS-Discovery:	Enabled
WS-Discovery Multicast:	Enabled
WS-Print:	Enabled
<b>Web Services:</b>	
Digital Certificate Management and Secur...	Enabled
Extensible Service Registration:	Enabled
Job Limits:	Enabled
Job Management Extension:	Enabled
Device Configuration:	Enabled
Session Data:	Enabled
User Interface Configuration:	Enabled
EIP Proxy Configuration:	Enabled
Xerox Secure Access:	Disabled
EIP SNMP Configuration:	Enabled
Print Submission:	Enabled
Mass Storage Access:	Enabled
Card Reader Access:	Enabled
Authentication & Accounting Configur...	Enabled
Export Audit Log:	Enabled
Trellix Embedded Control:	Enabled

**Apps**

**Printing**

Banner Sheet:	Enabled
Sys/Start Job:	Disabled
Delete Held Jobs After:	3 Day(s) 0 Hour(s) 0 Minute(s)
Error Sheets:	Enabled
Paper Substitution:	Enabled
Tray Priority:	1,2,3,4,5,6
Default Copies:	1
Default Job Type:	Normal Print
Default Paper Size:	x = 8.50 inches, y = 11.00 inches
Default Paper Color:	White
Default 2 Sided Printing:	2 Sided
Default Output Tray:	Center Tray
Default Output Color:	Color
Default Collated Sets:	Enabled
Default Stapling:	Not Available
Offsetting Between Jobs:	No Offset Between Jobs
Archival Marking Mode:	Off
PostScript:	Installed
Level:	3
Version:	3021.101
Image Quality:	B&Vitt
<b>PCL:</b>	
Version:	6
Pitch Size:	10.00
Point Size:	12.00
Font Name:	Courier
Lines Per Page:	60
Custom Color Tables:	Enabled
Label:	Not Installed
<b>Print From:</b>	Enabled
Saved Jobs for Reprint:	Enabled
Print From USB:	Enabled
Cloud Services:	Disabled

**Accounting**

Accounting Mode: None  
 Network Accounting: Disabled

**Security****Authentication Configuration**

Machine UI Authentication: Locally on the Device  
 Home: Unlocked  
 Jobs Pathway: Unlocked  
 Printer Pathway: Unlocked  
 Device Website Authentication: Locally on the Device  
 Authorization: Locally on the Device

**Authentication Server:**

Kerberos Primary Realm: Kerberos  
 Kerberos Primary Address: 0.0.0.88  
 Kerberos Alt 1 Realm: Kerberos  
 Kerberos Alt 1 Address: 0.0.0.88  
 SMB NT Domain: Kerberos  
 SMB Alt 1 NT Domain: Kerberos  
 Smartcard Ctrl Server: 0.0.0.443  
 Smartcard Ctrl Domain: Kerberos  
 SmartCard OCSP URL: Kerberos  
 Card Reader Upgrade Policy: Enabled  
 Card Reader Firmware Version: Kerberos

**Xerox Secure Access:**

Xerox Secure Access: Disabled  
 Secure Access Server: 0.0.0.443  
 Secure Access Path: Kerberos

**Audit Log:**

Audit Log: Enabled

**IP Sec:**

IP Sec: Disabled

**IP Filtering:**

IP Filtering: Disabled

**Security Certificates**

Machine Certificate: Signed

Root Certificates Installed: 54

**802.1x:**

802.1x: Disabled

**Job Data Removal:**

Job Data Removal: Disabled

Scheduled: Disabled

Scheduled Frequency: Monthly

**FIPS 140-3:**

FIPS 140-3: Disabled

**TLS:**

TLS: TLS 1.2 and TLS 1.3

TLS Hash: SHA-1, SHA-256 and above

**Trellix Embedded Control:**

Trellix Embedded Control: Enhanced Security

**Extensible Service Setup**

Third Generation Browser: X3G\_3.24.23\_2.40.5\_012\_01.00.00

Widget Version: v1.3.17 c8 20140613

Widget Version: v2.5.04 g9 20240123

# Verbrauchsmaterialnutzung

Informationen zu Verbrauchsmaterial sind zu finden unter [www.xerox.com/office/supplies](http://www.xerox.com/office/supplies)

## Verbrauchsmaterialien

### Tonerkartuschen



#### Schwarz

Installationsdatum: Jan 21, 2025  
 Nachbestellung: 006R04648  
 Verbleibende Seiten geschätzt: 20000  
 (Basiert auf durchschnittlicher Deckung mit dieser Tonerkartusche: 3%)



#### Cyan

Installationsdatum: Nov 30, 2022  
 Nachbestellung: 006R04649  
 Verbleibende Seiten geschätzt: 12000  
 (Basiert auf durchschnittlicher Deckung mit dieser Tonerkartusche: 4%)



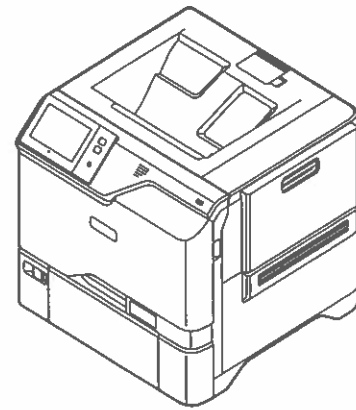
#### Magenta

Installationsdatum: Sep 25, 2024  
 Nachbestellung: 006R04618  
 Verbleibende Seiten geschätzt: 6000  
 (Basiert auf durchschnittlicher Deckung mit dieser Tonerkartusche: 1%)



#### Gelb

Installationsdatum: Jan 21, 2025  
 Nachbestellung: 006R04667  
 Verbleibende Seiten geschätzt: 11000  
 (Basiert auf durchschnittlicher Deckung mit dieser Tonerkartusche: 1%)



## Austauschmodule

### Belichtungseinheiten



#### Imaging-Einheit Schwarz

Installationsdatum: Jan 23, 2025  
 Nachbestellung: 013R00697  
 Verbleibende Seiten geschätzt: 150000  
 (Basiert auf der durchschnittlichen Druckerauftragsgröße: 1 Seiten)



#### Imaging-Einheit Farbe

Installationsdatum: Jan 23, 2025  
 Nachbestellung: 013R00698  
 Verbleibende Seiten geschätzt: 150000  
 (Basiert auf der durchschnittlichen Druckerauftragsgröße: 1 Seiten)



### Abfallbehälter



Installationsdatum: Unknown  
 Nachbestellung: 008R13334



Fast voll

Informationen zum Recycling sind zu finden unter: [www.xerox.com/gwa](http://www.xerox.com/gwa)

## Übliche Benutzerdaten

Gerätename:	Xerox VersaLink C620 (6C:CB:6A)
IP-Adresse:	10.61.16.154
Geräteseriennummer:	UMQ000558
Geräte-URL:	https://10.61.16.154
Datum der Geräteaktivierung:	Jul 09, 2024 21:15:45
Schwarzdrucke:	1453
Farbdrucke:	2829
Druckseiten, gesamt:	4282

## Geräteprofil

Kennzeichen (Xerox)	
Kennzeichen (eigenes)	
Kundendienst-Telefonnr.:	
Telefonnummer für Kundendienst:	
Telefonnummer für Verbrauchsmaterial:	
Systemadministrator:	Name des Systemadministrators nicht eing...
Gerätestandort:	Gerätestandort nicht eingestellt

## Verwaltet von

Primärer MB-Server:

## Geräte-Hardware

Externe Schnittstelle:	nicht vorhanden
Größe des Geräte-Arbeitsspeichers (R...):	1984 MB
Größe des Gerätespeichers:	benutzt=2956MB/gesamt=14004MB (eMMC)
EPC-Speichergröße:	187 MB
Produktivitäts-Kit:	Nicht installiert
Finisher-Typ:	Einfaches Ausgabefach
Locher des Finishers	Kein(e)
Falzmodul:	nicht vorhanden

## Allgemeine Einrichtung

Fernservice:	Aktiviert
Remote-Software-Download:	Aktiviert
Uhrzeit für Fernservice-Übertragung:	17:27
Xerox Workplace Cloud	Aktiviert
E-Mail-Warnungen:	Deaktiviert
Wartungsplan:	Zählergebunden
Geografische Region	Unbekannt
Versatz zu Weltzeit (GMT):	+05:30
Klonen der Installation	Zulässig (nur verschlüsselte Dateien)
Dateifreigabe	Aktiviert
JBIG2	Verlustfrei

## Energiesparbetrieb

Ruhezustand:	Aktiviert
Energiesparbetrieb:	Auftragsgesteuert
Intelligenter Näherungssensor	Nicht verfügbar

## Intelligenter Näherungssensor

Reaktivierung bei Ankunft:	
Ruhezustand bei Verlassen:	

## Softwareversionen

Gerätesoftware:	122.026.005.02900
Patch-Version:	Kein(e)
Netzwerkcontroller:	122.026.02900
Steuerpult-Firmware:	6.2
Druckeinheit:	230.319
Finisher:	000.000.000
Geräteaktualisierungen:	Zugelassen
Letzte erfolgreiche Aktualisierung:	Februar 5, 2025 06:37:45

## Materialbehälter

Behälter 1:	Normal, Weiß and A4 (210 x 297 mm)
Behälter 2:	Normal, Weiß and A4 (210 x 297 mm)
Behälter 3:	Normal, Weiß and A4 (210 x 297 mm)
Behälter 4:	Normal, Weiß and A4 (210 x 297 mm)
Behälter 5:	Normal, Weiß and A4 (210 x 297 mm)
Zusatzzufuhr:	Normal, Weiß and US-Letter (8,5 x 11...)

## Installierte Optionen

PS:	Installiert
-----	-------------

## Netzanschluss

### Mobile Workflows

AirPrint-Druck:	Aktiviert
Mopria-Druckersuche:	Aktiviert

### Verbindungen

#### USB-Einstellungen

USB-Anschlüsse, Typ A	Alle aktiviert
USB-Anschluss, Typ B	Deaktiviert
Kabelverbindung:	Aktiviert
Ethernet-MAC-Adresse:	12:57:d3:6c:cb:6a
Ethernet-Geschwindigkeit/Duplexeinst...	automatisch
Wireless:	Deaktiviert

#### WLAN

WLAN-MAC-Adresse:	
Netzwerkname (SSID):	
BSSID:	
Sicherheitsmodus:	
Verschlüsselungsalgorithmus:	
Status:	

#### Wi-Fi Direct:

Wireless-Hardware:	Aktiviert
WPS-Name (Wi-Fi Protected Setup):	Nicht installiert
Zugriffspunkt (SSID):	
Kennwort am Gerätetouchscreen anzeigen:	

#### NFC:

iBeacon (Bluetooth®) zur AirPrint-Erken...	Aktiviert
iBeacon-Hardware:	Aktiviert
Bluetooth-Geräteadresse:	Nicht installiert
iBeacon-IP-Adresse:	

## Protokolle

### TCP/IPv4:

IP-Adresse:	10.61.16.154
Subnet Mask:	255.255.255.0
Router/Gateway:	10.61.16.1
Automatische Adressierung:	DHCP
DHCP-Server:	10.61.13.224
Ende der DHCP-Leasefrist:	Thu Feb 13 00:35:32 2025
BOOTP-Broadcast:	Deaktiviert
Selbstzugewiesener Adressenzustand:	Aktiviert
Selbstzugewiesene Adresse:	

### TCP/IPv6:

Linklokale Adresse:	Aktiviert
Von Router geliefertes Präfix verwen...	fe80::1057:d3ff:fe6c:cb6a
Zustandslose globale Adresse 1:	fd00:0:2:116:1057:d3ff:fe6c:cb6a
Zustandslose globale Adresse 2:	::
Manuelle Adresse:	
DHCP-Adressierung:	DHCP laut Routeranweisung verwenden
DHCP-Adresse:	
Standard-Gateway:	fe80::8afc:5dff:fe75:e282
DUID (DHCP Unique Identifier):	

### DNS-Einstellungen:

Angeforderter Hostname:	XXR1257D36CCB6A
Überprüfter Hostname:	
Angeforderter Domänenname:	
Überprüfter Domänenname:	
Multicast-DNS:	Aktiviert
DHCP-Leases und DNS-Registrierungen fr...	Deaktiviert
Primärer DNS-Server:	10.61.7.15
IPv6 DNS vorrangig vor IPv4:	Aktiviert

### Bonjour:

Bonjour-Druckername:	Xerox VersaLink C620 (6C:CB:6A)
----------------------	---------------------------------

### HTTP:

Datenverkehr zwangsweise über sichere V...	Aktiviert
IPP	Ja
	Aktiviert

### SNMP

SNMP v1/v2:	Aktiviert
SNMP v3:	Deaktiviert

### LPR/LPD:

	Aktiviert
--	-----------

### Raw IP-Druck:

	Aktiviert
--	-----------

### LDAP

LDAP-Server 1 - primäre LDAP-Adresse:	0.0.0.0:389
LDAP-Server 1 - Suchstammverzeichnis:	Translation Not Found
LDAP-Server 1 - sichere Verbindung (LD...):	Deaktiviert
LDAP-Server 1 - Serverzertifikat überprüf...	Deaktiviert

### SMTP

SMTP-Server:	0.0.0.0:25
Verbindungsverschlüsselung (TLS):	Keine Verschlüsselung
Serverzertifikat überprüfen(TLS):	

**Protokolle (Forts.)**

NTP:	Deaktiviert
FTP-Client:	Aktiviert
FTP-Client-Modus:	Passiv
WSD (Web Services on Device):	Aktiviert

**Apps****In Druckausgabe**

Begleitblatt:	Aktiviert
Fehlerblätter:	Aktiviert
Materialersatz:	Aktiviert
Behälterpriorität:	1,2,3,4,5,6
Archivierungskennzeichnungsmodus:	Aus
PostScript:	Installiert
Version:	3
Version:	3021.101
PCL:	
Version:	6
Schriftartname:	Courier
Benutzerdefinierte Farbtabelle:	Aktiviert
Label:	Nicht installiert
Drucken von:	Aktiviert
Gespeicherte Aufträge für Nachdruck:	Aktiviert
USB-Direktdruck:	Aktiviert
Clouddienste:	Deaktiviert

**Kostenzählung**

Kostenzählungsmodus:	Kein(e)
Netzwerkostenzählung:	Deaktiviert

**Sicherheit****Authentifizierungskonfiguration**

Authentifizier., Geratedisplay:	Am Gerät
Startseite:	Entsperrt
Menü "Aufträge":	Entsperrt
Menü "Drucker":	Entsperrt
Gerätewebsiteauthentifizierung:	Am Gerät
Autorisierung:	Am Gerät

**Authentifizierungsserver:**

Xerox Secure Access: Deaktiviert

Prüfprotokoll: Aktiviert

IP-Sec: Deaktiviert

IP-Filterung: Deaktiviert

**Sicherheitszertifikate**

Gerätezeitifikat:	Signiert
Stammzeitifikat installiert:	54

802.1x: Deaktiviert

**Auftragsdatenlöschung:**

Planmäßig: Deaktiviert

FIPS 140-3: Deaktiviert

TLS: TLS 1.2 und TLS 1.3

TLS-Hash: SHA-1, SHA-256 und höher

Trellix Embedded Control: Erweiterte Sicherheit

**Übliche Benutzerdaten**

Gerätename:	Xerox VersaLink C620 (6C:CB:6A)
IP-Adresse:	10.61.16.154
Geräteseriennummer:	UMQ000558
Geräte-URL:	https://10.61.16.154
Datum der Geräteaktivierung:	Jul 09, 2024 21:15:45
Schwarzdrucke:	1453
Farbdrucke:	2832
Druckseiten, gesamt:	4285

**Geräteprofil**

Kennzeichen (Xerox)	
Kennzeichen (eigenes)	
Kundendienst-Telefonnr.:	
Telefonnummer für Kundendienst:	
Telefonnummer für Verbrauchsmaterial:	
Systemadministrator:	Name des Systemadministrators nicht eing...
Gerätestandort:	Gerätestandort nicht eingestellt

**Verwaltet von**

Primärer MB-Server:

**Geräte-Hardware**

Externe Schnittstelle:	nicht vorhanden
Größe des Geräte-Arbeitspeichers (R...):	1984 MB
Größe des Gerätespeichers:	benutzt=2956MB/gesamt=14004MB (eMMC)
EPC-Speichergöße:	187 MB
Produktivitäts-Kit:	Nicht installiert
Finisher-Typ:	Einfaches Ausgabefach
Locher des Finishers	Kein(e)
Falzmodul:	nicht vorhanden

**Allgemeine Einrichtung**

Fernservice:	Aktiviert
Remote-Software-Download:	Aktiviert
Uhrzeit für Fernservice-Übertragung:	17:27
Xerox Workplace Cloud	Aktiviert
E-Mail-Warnungen:	Deaktiviert
Wartungsplan:	Zählergebunden
Geografische Region	Unbekannt
Startkonfigurationsbericht:	Deaktiviert
Versatz zu Weltzeit (GMT):	+05:30
Klonen der Installation	Zulässig (nur verschlüsselte Dateien)
Druckübermittlung von Klondateien zu...:	Aktiviert
Dateifreigabe	Aktiviert
JBIG2	Verlustfrei

**Energiesparbetrieb**

Ruhezustand:	Aktiviert
Energiesparbetrieb:	Auftragsgesteuert
Ruhezustand-Timer:	120 Minuten
Automatisch Aus:	Deaktiviert

**Softwareversionen**

Gerätesoftware:	122.026.005.02900
Patch-Version:	Keine
Netzwerkcontroller:	122.026.02900
Steuerpult-Firmware:	6.2
Benutzeroberfläche:	122.026.02900
Druckeinheit:	230.319
Finisher:	000.000.000
Betriebssystem:	230.319
Softwareaktualisierung:	005.009
Upgrade der ALTBOT-Software:	005.009
Behälter 2:	A15.51_B2 3
Behälter 3:	A15.51_B2 3
Behälter 4:	A15.51_B2 3
Behälter 5:	A15.51_B2 3

**Geräteaktualisierungen:**

Letzte erfolgreiche Aktualisierung:	Februar 5, 2025 06:37:45
Planmäßige autom. Aktualisierungen:	Deaktiviert
Startzeit der automatischen Aktualis...:	Täglich
Server für automatische Aktualisierung:	0.0.0:21

**Materialbehälter**

Behälter 1:	Normal, Weiß and A4 (210 x 297 mm)
Behälter 2:	Normal, Weiß and A4 (210 x 297 mm)
Behälter 3:	Normal, Weiß and A4 (210 x 297 mm)
Behälter 4:	Normal, Weiß and A4 (210 x 297 mm)
Behälter 5:	Normal, Weiß and A4 (210 x 297 mm)
Zusatzzufuhr:	Normal, Weiß and US-Letter (8,5 x 11...

**Netzanschluss**

**Mobile Workflows**

AirPrint-Druck:	Aktiviert
Mopria-Druckersuche:	Aktiviert
Universal Print:	Deaktiviert
Universal Print-Registrierungsstatus:	Nicht registriert

**Verbindungen**

<b>USB-Einstellungen</b>	
USB-Anschlüsse, Typ A	Alle aktiviert
USB-Anschluss, Typ B	Deaktiviert
Verbindungs-Timeout	5 Sekunden
<b>Kabelverbindung:</b>	
Ethernet-MAC-Adresse:	Aktiviert
Ethernet-Geschwindigkeit/Duplexeinst...	12:57:d3:6c:cb:6a automatisch
<b>Wireless:</b>	
WLAN-MAC-Adresse:	Deaktiviert
Netzwerkname (SSID):	
BSSID:	
Sicherheitsmodus:	
Verschlüsselungsalgorithmus:	
Status:	
Wi-Fi Direct:	Aktiviert
Wireless-Hardware:	Nicht installiert
WPS-Name (Wi-Fi Protected Setup):	
Verbindungsmethode:	
Subnetz-Adresspräfix:	
Zugriffspunkt (SSID):	
Kennwort am Gerätetouchscreen anzeigen:	
NFC:	Aktiviert
iBeacon (Bluetooth®) zur AirPrint-Erken...	Aktiviert
iBeacon-Hardware:	Nicht installiert
Bluetooth-Geräteadresse:	
iBeacon-IP-Adresse:	

**Protokolle**

<b>TCP/IPv4:</b>	
IP-Adresse:	Aktiviert 10.61.16.154
Subnet Mask:	255.255.255.0
Router/Gateway:	10.61.16.1
Automatische Adressierung:	DHCP
DHCP-Server:	10.61.13.224
Ende der DHCP-Leasefrist:	Thu Feb 13 00:35:32 2025
BOOTP-Broadcast:	Deaktiviert
Selbstzugewiesener Adressenzustand:	Aktiviert
Selbstzugewiesene Adresse:	
<b>TCP/IPv6:</b>	
Linklokale Adresse:	Aktiviert fe80:1057:d3ff:fe6c:cb6a
Von Router geliefertes Präfix verwen...	Aktiviert
Zustandslose globale Adresse 1:	fd00:0:2:116:1057:d3ff:fe6c:cb6a
Zustandslose globale Adresse 2:	☐
Manuelle Adresse:	
DHCP-Adressierung:	DHCP (aut Routeranweisung verwenden)
DHCP-Adresse:	
Standard-Gateway:	fe80:8afc:5dff:fe75:e282
DUID (DHCP Unique Identifier):	
<b>DNS-Einstellungen:</b>	
Angeforderter Hostname:	XRX1257D36CCB6A
Überprüfter Hostname:	
Angeforderter Domänenname:	
Überprüfter Domänenname:	
Multicast-DNS:	Aktiviert
DHCP-Leases und DNS-Registrierungen fr...	Deaktiviert
Primärer DNS-Server:	10.61.7.15
Alternativer DNS Server 1:	10.61.10.6
Alternativer DNS Server 2:	☐
DNS-Verbindungszeitlimit:	5
Geräte Domäne anfügen:	Aktiviert
Übergeordnete Domänen anfügen:	Deaktiviert
DNS-Domänensuchliste:	XEROXQA.COM
IPv6 DNS vorrangig vor IPv4:	Aktiviert

**Installierte Optionen**

PS:	Installiert
-----	-------------

**Protokolle (Forts.)**

<b>Bonjour:</b>	
Bonjour - Druckername:	Xerox VersaLink C620 (6C:CB:6A)
<b>HTTP:</b>	Aktiviert
Anschlussnummer:	80
Datenverkehr zwangsweise über sichere V...	Ja
Sichere HTTP-Anschlussnummer:	443
Proxyserver:	Manuell
Proxyserver-Adresse:	10.177.8.91:8080
IPP	Aktiviert
Sichere IPP-Modus:	IPP und sicheres IPPS
IPP-Netzwerkpfad:	http://10.61.16.154:631
<b>SNMP</b>	
SNMP v1/v2:	Aktiviert
SNMP v3:	Deaktiviert
<b>LPR/LPD:</b>	
Anschlussnummer:	Aktiviert
PDL - Wechsel:	515
Überschreiben von PDL-Begleitblatt:	Deaktiviert
<b>Raw IP-Druck:</b>	
Anschlussnummer 1:	Aktiviert
Bidirektional:	9100
Auftragsende-Timeout:	Deaktiviert
PDL - Wechsel:	300
<b>LDAP</b>	
LDAP-Server 1 - angezeigter Name:	
LDAP-Server 1 - primäre LDAP-Adresse:	0.0.0.0:389
LDAP-Server 1 - alternative LDAP-Adr...	0.0.0.0:389
LDAP-Server 1 - Suchstamverzeichnis:	Translation Not Found
LDAP-Server 1 - sichere Verbindung (LD...)	Deaktiviert
LDAP-Server 1 - Serverzertifikat überprüf...	Deaktiviert
<b>SMTP</b>	
SMTP-Server:	0.0.0.0:25
Verbindungsverschlüsselung (TLS):	Keine Verschlüsselung
Serverzertifikat überprüfen(TLS):	
Max. Meldungsumfang (KB):	10240
Anzahl der Fragmente:	1
Auftragsgesamtumfang (KB):	300000
Auftragsteilungsgrenze:	Seite
Anmeldeinformationen für automatische E-Mail-Nac...	Keine
<b>POP3</b>	
POP3-Server:	0.0.0.0:110
Sichere POP3-Verbindung (TLS):	Deaktiviert
E-Mail-Adresse:	
E-Mail-Empfang über POP3:	Deaktiviert
Bei Anforderung Bestätigung senden:	Aktiviert
Deckblatt, eingehende E-Mail:	Aktiviert
<b>NTP:</b>	Deaktiviert
Primärer Server:	0.0.0.0:123
Alternativer Server:	0.0.0.0:123
<b>SLP:</b>	Deaktiviert
<b>FTP-Client:</b>	Aktiviert
FTP-Client-Modus:	Passiv
<b>WSD (Web Services on Device):</b>	Aktiviert
WS-Discovery:	Aktiviert
WS-Discovery Multicast:	Aktiviert
WS-Print:	Aktiviert
<b>Web Services</b>	
Verwaltung des digitalen Zertifikats und S...	Aktiviert
Registrierung für Erweiterungsdienste:	Aktiviert
Auftragslimits:	Aktiviert
Erweiterte Auftragsverwaltung:	Aktiviert
Geratekonfiguration:	Aktiviert
Sitzungsdaten:	Aktiviert
Konfiguration der Benutzeroberfläche:	Aktiviert
EIP Proxy-Konfiguration:	Aktiviert
Xerox Secure Access:	Deaktiviert
EIP SNMP-Konfiguration:	Aktiviert
Druckübermittlung:	Aktiviert
Massenspeicherzugriff:	Aktiviert
Kartenleserzugriff:	Aktiviert
Konfiguration der Authentifizierung und K...	Aktiviert
Prüfprotokoll exportieren:	Aktiviert
Trellix Embedded Control:	Aktiviert

**Apps**

**In Druckausgabe**

Begleitblatt:	Aktiviert
System-/Startauftrag:	Deaktiviert
Angehaltene Aufträge löschen nach:	3 Day(s) 0 Hour(s) 0 Minute(s)
Fehlerblätter:	Aktiviert
Materialersatz:	Aktiviert
Behälterpriorität:	1,2,3,4,5,6
Standardauflage:	1
Standardauftragsart:	Proof-Druck
Standardformat:	x = 8.50 inches, y = 11.00 inches
Standardmaterialfarbe:	Weiß
2-seitiger Seitenaufdruck als Standard:	2-seitig
Standardausgabefach:	Mittleres Fach
Standardausgabefarbe:	Farbe
Sortierte Sätze als Standard:	Aktiviert
Standardheftung:	Keine Heftung
Versatz zwischen Aufträgen erfolgt:	Kein Versatz zwischen Aufträgen
<b>Archivierungskennzeichnungsmodus</b>	
PostScript	Aus
Version:	Installiert
Version:	3
Version:	3021 101
Bildqualität:	Verbessert
<b>PCL</b>	
Version:	6
Schrittweite:	10.00
Schriftgrad:	12.00
Schriftartname:	Courier
Zeilen pro Seite:	60
<b>Benutzerdefinierte Farbtabellen</b>	
Label:	Aktiviert
Label:	Nicht installiert
<b>Drucken von:</b>	
Gespeicherte Aufträge für Nachdruck:	Aktiviert
USB-Direktdruck:	Aktiviert
Clouddienste:	Deaktiviert

**Kostenzählung**

Kostenzählungsmodus:	Kein(e)
Netzwerkostenzählung:	Deaktiviert

**Sicherheit****Authentifizierungskonfiguration**

Authentifizier., Gerätedisplay:	Am Gerät
Startseite:	Entsperrt
Menü "Aufträge":	Entsperrt
Menü "Drucker":	Entsperrt
Gerätewebsiteauthentifizierung:	Am Gerät
Autorisierung:	Am Gerät
<b>Authentifizierungsserver:</b>	Kerberos
Kerberos Primärer Bereich:	
Kerberos-Primäradresse:	0.0.0:88
Kerberos Alt. 1 Bereich:	
Kerberos Alt. 1 Adresse:	0.0.0:88
SMB NT-Domäne:	
SMB Alt. 1 NT-Domäne:	
Smartcard-Controllerserver:	0.0.0:443
Smartcard-Controllerdomäne:	
SmartCard-OCSP-URL:	
Upgrade-Richtlinie für Kartenlesegerät:	Aktiviert
Firmwareversion des Kartenlesegeräts:	

<b>Xerox Secure Access:</b>	Deaktiviert
Secure Access-Server:	0.0.0:443
Secure Access-Pfad:	

<b>Prüfprotokoll:</b>	Aktiviert
<b>IP-Sec:</b>	Deaktiviert
<b>IP-Filterung:</b>	Deaktiviert

<b>Sicherheitszertifikate</b>	
Gerätezertifikat:	Signiert
Stammzertifikat installiert:	54
<b>802.1x:</b>	Deaktiviert

<b>Auftragsdatenlöschung:</b>	
Planmäßig:	Deaktiviert
Planmäßiges Intervall:	Einmal pro Monat
<b>FIPS 140-3</b>	Deaktiviert

<b>TLS:</b>	TLS 1.2 und TLS 1.3
TLS-Hash:	SHA-1, SHA-256 und höher
<b>Trellix Embedded Control:</b>	Erweiterte Sicherheit

**Erweiterungsdiensteinrichtung**

Browser der dritten Generation:	X3G_3.24.23_2.40.5_012_01.00.00
Widget-Version:	v1.3.17 c8 20140613
Widget-Version:	v2.5.04 g9 20240123

# Abrechnungsübersicht

## Systeminformationen

Gerätename: Xerox VersaLink C620 (6C:CB:6A)  
Geräteseriennummer: UMQ000558  
Druckseiten seit Einschalten: 65

**Softwareversionen**  
Gerätesoftware: 122.026.005.02900  
Patch-Version: Kein(e)  
Netzwerkcontroller: 122.026.02900  
Steuerpult-Firmware: 6.2  
Bilderzeugungseinheit: 230.319  
Finisher: 000.000.000

## Zähler

### Drucken

Schwarzweißdrucke, Seiten: 1453  
Farbdrucke, Seiten: 2832

Normalpapier: 54

## Summen, Gerät

Schwarzweißdruckseiten: 1453  
Farbe: 2832  
Gesamt: 4285

# Uso de suministros

Ubicación de información para pedir suministros:  
[www.xerox.com/office/supplies](http://www.xerox.com/office/supplies)

## Consumibles

### Cartuchos de tóner



#### Negro

Fecha de instalación: Jan 21, 2025  
 Pedir: 006R04648  
 Páginas restantes estimadas: 20000  
 (Basado en la cobertura media de este cartucho de tóner: 3%)



#### Cian

Fecha de instalación: Nov 30, 2022  
 Pedir: 006R04649  
 Páginas restantes estimadas: 12000  
 (Basado en la cobertura media de este cartucho de tóner: 4%)



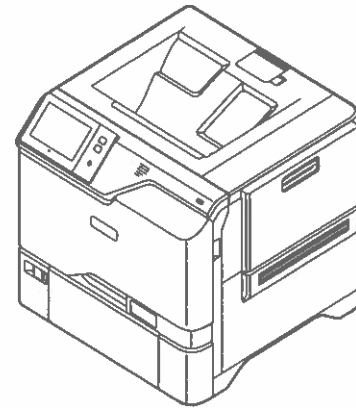
#### Magenta

Fecha de instalación: Sep 25, 2024  
 Pedir: 006R04618  
 Páginas restantes estimadas: 6000  
 (Basado en la cobertura media de este cartucho de tóner: 1%)



#### Amarillo

Fecha de instalación: Jan 21, 2025  
 Pedir: 006R04667  
 Páginas restantes estimadas: 11000  
 (Basado en la cobertura media de este cartucho de tóner: 1%)



## Componentes de mantenimiento básico

### Unidades de reproducción de imágenes



#### Kit de generación de imágenes en negro

Fecha de instalación: Jan 23, 2025  
 Pedir: 013R00697  
 Páginas restantes estimadas: 150000  
 (Basado en la media del tamaño de trabajos de la impresora: 1 Páginas)



#### Kit de generación de imágenes en color

Fecha de instalación: Jan 23, 2025  
 Pedir: 013R00698  
 Páginas restantes estimadas: 150000  
 (Basado en la media del tamaño de trabajos de la impresora: 1 Páginas)



### Contenedor de residuos



Fecha de instalación: Unknown  
 Pedir: 008R13334



Casi lleno

Ubicación de información de reciclaje:  
[www.xerox.com/gwa](http://www.xerox.com/gwa)

# Resumen de facturación

## Información del sistema

Nombre del dispositivo: Xerox VersaLink C620 (6C:CB:6A)  
Número de serie del dispositivo: UMQ000558  
Impresiones desde encendido: 43

**Versiones de software**  
Software del dispositivo: 122.026.005.02900  
Versión de revisión: Ninguno  
Controlador de red: 122.026.02900  
Firmware del panel de la interfaz de usuario: 6.2  
Motor de marcado: 230.319  
Acabadora: 000.000.000

## Contadores de facturación

### Impresión

Impresiones impresas en negro: 1445  
Impresiones impresas en color: 2818

## Totales dispositivo

Impresiones en negro: 1445  
Impresiones en color: 2818  
Total de impresiones: 4263

Papel común: 26

### Datos de usuario comunes

Nombre del dispositivo:	Xerox VersaLink C620 (6C:CB:6A)
Dirección IP:	10.61.16.154
Número de serie del dispositivo:	UMQ000558
URL del dispositivo:	https://10.61.16.154
Fecha de activación de la máquina:	Jul 09, 2024 21:15:45
Impresiones en negro:	1444
Impresiones en cian:	2817
Total de impresiones:	4261

### Perfil de dispositivo

Código de recurso de Xerox	
Código de recurso del cliente	
Teléfono de servicio técnico:	
Número de asistencia al cliente:	
Número de teléfono de suministros:	
Administrador del sistema:	nombre del administrador del sistema no de...
Ubicación del dispositivo:	ubicación del dispositivo no definida
<b>Administrado por</b>	
Servidor MB principal:	

### Hardware de dispositivo

Tarjeta de interfaz de terceros:	ausente
Cantidad de RAM del dispositivo:	1984 MB
Cantidad de almacenamiento del dispo...	usados=2932MB/total=14004MB (eMMC)
Tamaño memoria EPC:	187 MB
Kit de productividad:	No instalado
Tipo de acabadora:	Bandeja de salida escalonada
Perforación de acabadora	Ninguno
Plegadora de la acabadora:	ausente

### Configuración general

Servicios remotos:	Activado
Descarga del software de acceso remoto:	Activado
Transm. Servicios remotos. Hora:	17:27
Xerox Workplace Cloud	Activado
Alertas de e-mail:	Desactivada
Plan de servicio:	Contador
Región geográfica	Desconocido
Informe de configuración de arranque:	Desactivada
Diferencia horaria con GMT:	+05:30
Instalación de archivo de clonación	Permitido (solo archivos cifrados)
Permitir el envío de impresión de archivos...	Activado
Uso compartido de archivos	Activado
JBIG2	Sin pérdida

### Ahorro de energía

Reposo:	Activado
Modo de ahorro de energía:	Trabajo activado
Temporizador Modo suspensión:	120 minutos
Apagado automático:	Desactivada

### Versiones de software

Software del dispositivo:	122.026.005.02900
Versión de revisión:	Ninguno
Controlador de red:	122.026.02900
Firmware del panel de la interfaz de...	6.2
Interfaz de usuario:	122.026.02900
Motor de marcado:	230.319
Acabadora:	000.000.000
SO:	230.319
Actualización de software:	005.009
Actualización de software de ALTBOOT	005.009
Bandeja 2:	A15.51_B2.3
Bandeja 3:	A15.51_B2.3
Bandeja 4:	A15.51_B2.3
Bandeja 5:	A15.51_B2.3
<b>Actualizaciones del dispositivo:</b>	Permitido
Última actualización exitosa:	Febrero 5, 2025 06:37:45
Actualizaciones automáticas programa...	Desactivada
Hora de inicio de actualización auto...	Cada día
Servidor de actualizaciones automáti...	0.0.0:21

### Bandejas del papel

Bandeja 1:	Común, Blanco and A4 (210 x 297 mm)
Bandeja 2:	Común, Blanco and A4 (210 x 297 mm)
Bandeja 3:	Común, Blanco and A4 (210 x 297 mm)
Bandeja 4:	Común, Blanco and A4 (210 x 297 mm)
Bandeja 5:	Común, Blanco and A4 (210 x 297 mm)
Bandeja especial:	Común, Blanco and Carta (8.5 x 11pu...

### Conectividad

#### Flujos de trabajo móviles

Impresión AirPrint:	Activado
Detección de impresión Mopria:	Activado
Impresión universal:	Desactivada
Estado de registro de la impresión u...	No registrada

#### Conexiones físicas

<b>Configuración de USB</b>	
Puertos USB tipo A	Todo activado
Puerto USB tipo B	Desactivada
Tiempo de espera de conexión	5 segundos

#### Conexión cableada:

Dirección Mac de Ethernet:	12:57:d3:6c:cb:6a
Opción de velocidad/dúplex de Ethernet:	auto
Conexión inalámbrica:	Desactivada

#### Conexión inalámbrica:

Dirección MAC inalámbrica:	
Nombre de la red (SSID):	
BSSID:	
Modo de seguridad:	
Algoritmo de cifrado:	
Estado:	
Wi-Fi Direct:	Activado
Hardware inalámbrica:	No instalado

#### Nombre de configuración Wi-Fi protegida ...

Método de conexión:	
Dirección de prefijo de la subred:	
Punto de acceso (SSID):	
Mostrar clave en la pantalla táctil del disp...	

#### NFC:

Detección de iBeacon (Bluetooth®) para A...	Activado
Hardware de iBeacon:	No instalado
Dirección del dispositivo Bluetooth:	
Dirección IP de iBeacon:	

### Protocolos

#### TCP/IPv4:

Dirección IP:	10.61.16.154
Máscara de subred:	255.255.255.0
Encaminador/Puerta de enlace:	10.61.16.1
Direccionamiento automático:	DHCP
Servidor DHCP:	10.61.13.224
Caducidad de concesión DHCP:	Thu Feb 13 00:35:32 2025
Difusión BOOTP:	Desactivada
Estado de dirección autoasignada:	Activado
Dirección autoasignada:	

#### TCP/IPv6:

Enlazar dirección local:	Activado
Usar prefijo del encaminador:	fe80::1057:d3ff:fe6c:cb6a
Dirección global 1 sin estado:	Activado
Dirección global 2 sin estado:	fd00:0:2:116:1057:d3ff:fe6c:cb6a
Dirección manual:	::
Direccionamiento DHCP:	Usar DHCP dirigido por el encaminador
Dirección DHCP:	
Puerto de enlace prefijada:	fe80::8afc:5dff:fe75:e282
DUID (identificador único de DHCP):	

#### Opciones de DNS:

Nombre de host solicitado:	XRX1257D36CCB6A
Nombre del host verificado:	
Nombre de dominio solicitado:	
Nombre de dominio verificado:	
DNS multidesfina:	Activado
Liberar concesiones DHCP y registros...	Desactivada
Servidor de DNS principal:	10.61.7.15
Servidor DNS suplente 1:	10.61.10.6
Servidor DNS suplente 2:	::
Tiempo de espera para conexión DNS:	5
Agregar dominio de dispositivo:	Activado
Agregar dominios primarios:	Desactivada
Lista de búsqueda de dominio DNS:	XEROXQA.COM.
Preferir dirección IPv6 DNS sobre IPv4:	Activado

### Opciones instaladas

PS:	Instalado
-----	-----------

**Protocolos (cont.)**

<b>Bonjour:</b>	
Nombre de la impresora Bonjour:	Xerox VersaLink C620 (6C:CB:6A)
<b>HTTP:</b>	
Número del puerto:	80
Forzar el tráfico en la conexión segura (SSL):	Si
Número de puerto HTTP protegido:	443
Servidor proxy:	Manual
Dirección de servidor proxy:	10.177.8.91:8080
IPP:	Activado
Modo IPP protegido:	IPP e IPPS segura
Ruta de red IPP:	http://10.61.16.154:631
<b>SNMP</b>	
SNMP v1/v2:	Activado
SNMP v3:	Desactivada
<b>LPR/LPD:</b>	
Número del puerto:	515
Cambio de PDL:	Desactivada
Sustituir portada PDL:	Desactivada
<b>Impresión IP sin procesar:</b>	
Número de puerto 1:	9100
Bidireccional:	Desactivada
Fin de espera de trabajo:	300
Cambio de PDL:	Desactivada
<b>LDAP</b>	
Servidor LDAP 1 - Nombre descriptivo:	
Servidor LDAP 1 - Dirección LDAP pri...	0.0.0.0:389
Servidor LDAP 1 - Dirección LDAP alterna...	0.0.0.0:389
Servidor LDAP 1 - Raíz de directorio de b...	Translation Not Found
Servidor LDAP 1 - Conexión segura (L...	Desactivada
Servidor LDAP 1 - Validar certificado del ...	Desactivada
<b>SMTP</b>	
Servidor SMTP:	0.0.0.0:25
Cifrado de la conexión (TLS):	Sin cifrado
Validar el certificado del servidor ...	
Tamaño de mensaje máximo (KB):	10240
Número de fragmentos:	1
Tamaño de trabajo total (KB):	300000
Límite de separación de trabajo:	
Identidad para e-mails automáticos:	Ninguno
<b>POP3</b>	
Servidor POP3:	0.0.0.0:110
Conexión segura (TLS) POP3:	Desactivada
Dirección de e-mail:	
Recepción de correo electrónico mediante...	Desactivada
Enviar confirmación a petición:	Activado
Portada correo elec. entrante:	Activado
<b>NTP:</b>	
Servidor principal:	0.0.0.0:123
Servidor alternativa:	0.0.0.0:123
<b>SLP:</b>	
Cliente de FTP:	Activado
Modo cliente de FTP:	Pasivo
<b>Servicios web en el dispositivo:</b>	
Detección de WS:	Activado
Multidifusión de detección de WS:	Activado
Impresión de WS:	Activado
<b>Servicios web</b>	
Gestión del certificado digital y configura...	Activado
Registro de servicio extensible:	Activado
Límites de trabajos:	Activado
Extensión de gestión de trabajos:	Activado
Configuración del dispositivo:	Activado
Datos de sesión:	Activado
Configuración de la interfaz del usu...	Activado
Configuración de Proxy de EIP:	Activado
Xerox Secure Access:	Desactivado
Configuración de SNMP de EIP:	Activado
Envío de impresión:	Activado
Acceso de almacenamiento masivo:	Activado
Acceso de lector de tarjetas:	Activado
Configuración de autenticación y contabil...	Activado
Exportar registro de auditoría:	Activado
Control integrado Trellix:	Activado

**Aplicaciones**

**Imprimiendo**

Portada:	Activado
Sistema/Iniciar trabajo:	Desactivada
Eliminar trabajos retenidos después de:	3 Day(s) 0 Hour(s) 0 Minute(s)
Hojas de errores:	Activado
Sustitución del papel:	Activado
Prioridad de bandejas:	1,2,3,4,5,6
Copios prefijados:	1
Tipo de trabajo prefijado:	Impresión de prueba
Tamaño prefijado (papel):	x=8.50 inches, y=11.00 inches
Color de papel prefijado:	Blanco
Impresión a 2 caras prefijado:	A 2 caras
Bandeja de salida prefijado:	Bandeja central
Color de salida prefijado:	Color
Juegos clasificados prefijados:	Activado
Grapado prefijado:	Sin grapar
Desplazamiento entre trabajos:	Sin desplazar entre trabajos
<b>Modo de marcado de archivo</b>	Desactivado
<b>PostScript</b>	
Instalado:	3
Versión:	3021.101
Calidad de imagen:	Mejorado
<b>PCL</b>	
Versión:	6
Espaciado:	10.00
Tamaño en puntos:	12.00
Nombre de fuente:	Courier
Líneas por página:	60
<b>Tablas de colores personalizadas</b>	
Etiqueta:	Activado
	No instalado
	Activado
	Activado
	Activado
	Desactivado
<b>Imprimir desde:</b>	
Trabajos guardados para reimpresión:	Activado
Imprimir desde USB:	Activado
Servicios en la nube:	Desactivado

**Contabilidad**

Modo de contabilidad:	Ninguno
Contabilidad de red:	Desactivada

**Seguridad****Configuración de autenticación**

Autenticación de interfaz del disposit...	Localmente en el dispositivo
Particular:	Sin bloquear
Ruta a trabajos:	Sin bloquear
Ruta de la impresora:	Sin bloquear
Autenticación del sitio web del disp...	Localmente en el dispositivo
Autorización:	Localmente en el dispositivo

**Servidor de autenticación:**

Domino principal de Kerberos:	
Dirección principal de Kerberos:	0.0.0.0:88
Domino alternativo 1 de Kerberos:	
Dirección alternativa 1 de Kerberos:	0.0.0.0:88
Domino NT SMB:	
Domino NT SMB alternativo 1:	
Servidor de controlador de tarjeta intelige...	0.0.0.0:443
Domino de controlador de tarjeta in...	
URL OCSP de tarjeta inteligente:	
Norma de actualización del lector de...	Activado
Versión de firmware del lector de ta...	

**Xerox Secure Access:**

Servidor Secure Access:	Desactivado
Ruta de Secure Access:	0.0.0.0:443

**Registro de auditoría:**

Registro de auditoría:	Activado
------------------------	----------

**Seguridad IP (IPsec):**

Seguridad IP (IPsec):	Desactivada
-----------------------	-------------

**Filtrado IP:**

Filtrado IP:	Desactivada
--------------	-------------

**Certificados de seguridad**

Certificado del dispositivo:	Firmado
------------------------------	---------

Certificados raíz instalados:	54
-------------------------------	----

802.1x:	Desactivada
---------	-------------

**Eliminación de datos del trabajo:**

Programado:	Desactivada
-------------	-------------

Frecuencia programada:	Cada mes
------------------------	----------

FIPS 140-3:	Desactivada
-------------	-------------

TLS:	TLS 1.2 y TLS 1.3
------	-------------------

Hash TLS:	SHA-1, SHA-256 y superior
-----------	---------------------------

Control integrado Trellix:	Seguridad de mejorada
----------------------------	-----------------------

**Configuración de servicio extensible**

Navegador de tercera generación:	X3G_3.24.23_2.40.5_012_01.00.00
----------------------------------	---------------------------------

Versión de widget:	v1.3.17 c8 20140613
--------------------	---------------------

Versión de widget:	v2.5.04 g9 20240123
--------------------	---------------------

**Common User Data**

Machine Name: Xerox VersaLink C620 (6C:CB:6A)  
 IP Address: 10.61.16.154  
 Machine Serial Number: UMQ000558  
 Machine URL: https://10.61.16.154  
 Machine Activation Date: Jul 09, 2024 21:15:45  
 Black Impressions: 1437  
 Color Impressions: 2785  
 Total Impressions: 4222

**Machine Profile**

Xerox Asset Tag:  
 Customer Asset Tag:  
 Service Phone Number:  
 Customer Support Number:  
 Supplies Phone Number:  
 System Administrator: System Administrator name not set  
 Machine Location: machine location not set  
**Managed By**  
 Primary MB Server:

**Machine Hardware**

Foreign Interface Card: not present  
 Device RAM Size: 1984 MB  
 Device Storage Size: used=2876MB/total=14004MB (eMMC)  
 EPC Memory Size: 187 MB  
 Productivity Kit: Not Installed  
 Finisher Type: Simple Catch Tray  
 Finisher Punch: None  
 Finisher Folder: not present

**General Setup**

Remote Services: Enabled  
 Remote Software Download: Enabled  
 Remote Services Trans. Time: 17:27  
 Xerox Workplace Cloud: Enabled  
 E-mail Alerts: Disabled  
 Service Plan: Metered  
 Geographic Region: unknown  
 GMT Offset: +05:30  
 Cloning Installation: Allowed (Encrypted Files Only)  
 File Sharing: Enabled  
 JBIG2: Lossless

**Energy Saver**

Deep Sleep: Enabled  
 Energy Saver Mode: Job Activated  
**Smart Proximity Sensor**  
 Wake on Arrival: Not Available  
 Sleep on Departure:

**Software Versions**

Device Software: 122.026.005.02900  
 Patch Version: None  
 Network Controller: 122.026.02900  
 UI Panel Firmware: 6.2  
 Marking Engine: 230.319  
 Finisher: 000.000.000  
**Machine Upgrades:** Allowed  
 Last Successful Upgrade: February 5, 2025 06:37:45

**Media Trays**

Tray 1: Plain, White and A4 (210 x 297 mm)  
 Tray 2: Plain, White and A4 (210 x 297 mm)  
 Tray 3: Plain, White and A4 (210 x 297 mm)  
 Tray 4: Plain, White and A4 (210 x 297 mm)  
 Tray 5: Plain, White and A4 (210 x 297 mm)  
 Bypass Tray: Plain, White and Letter (8.5 x 11")

**Installed Options**

PS: Installed

**Connectivity**

**Mobile Workflows**

AirPrint Printing: Enabled  
 Mopria Printing: Enabled

**Physical Connections**

**USB Settings**  
 USB Type A Ports: All Enabled  
 USB Type B Port: Disabled

**Wired:**

Ethernet MAC Address: Enabled  
 Ethernet Speed/Duplex Setting: 12:57:d3:6c:cb:6a  
 auto  
 Disabled

**Wireless:**

Wireless MAC Address:  
 Network Name (SSID):  
 BSSID:

**Security Mode:**

Encryption Algorithm:  
 Status: Enabled  
 Wi-Fi Direct: Not Installed

**Wi-Fi Direct:**

Wireless Hardware:  
 Wi-Fi Protected Setup (WPS) Name:  
 Access Point (SSID):  
 Show Password on Device Touch Screen:

Enabled  
 Not Installed

**NFC:**

iBeacon (Bluetooth®) for AirPrint Di...  
 iBeacon Hardware: Enabled  
 Bluetooth Device Address: Not Installed  
 iBeacon IP Address:

**Protocols**

**TCP/IPv4:**

IP Address: Enabled  
 10.61.16.154  
 Subnet Mask: 255.255.255.0  
 Router/Gateway: 10.61.16.1  
 Automatic Addressing: DHCP  
 DHCP Server: 10.61.13.224  
 DHCP Lease Expiration: Thu Feb 13 00:35:32 2025  
 BOOTP Broadcasting: Disabled  
 Self Assigned Address State: Enabled  
 Self Assigned Address:

**TCP/IPv6:**

Link Local Address: Enabled  
 fe80::1057:d3ff:fe6c:cb6a  
 Use Router Supplied Prefix: Enabled  
 Stateless Global Address 1:  
 Stateless Global Address 2:  
 Manual Address:  
 DHCP Addressing: Use DHCP as directed by a router  
 DHCP Address:  
 Default Gateway: fe80::8afc:5dff:fe75:e282  
 DUID (DHCP Unique Identifier):

**DNS Settings:**

Requested Host Name: XRX1257D36CCB6A  
 Verified Host Name:  
 Requested Domain Name:  
 Verified Domain Name:  
 Multicast DNS: Enabled  
 Release DHCP Leases and DNS Registrati...: Disabled  
 Primary DNS Server: 10.61.7.15  
 Prefer IPv6 DNS over IPv4: Enabled

**Bonjour:**

Bonjour Printer Name: Xerox VersaLink C620 (6C:CB:6A)

**HTTP:**

Force Traffic over Secure Connection (H...: Enabled  
 IPP: Yes  
 Enabled

**SNMP**

SNMP v1/v2: Enabled  
 SNMP v3: Disabled

**LPR/LPD:**

Enabled

**Raw IP Printing:**

Enabled

**LDAP**

LDAP Server 1 Primary LDAP Address: 0.0.0.0:389  
 LDAP Server 1 Search Directory Root: Translation Not Found  
 LDAP Server 1 Secure Connection (LDA...: Disabled  
 LDAP Server 1 Validate Server Certificate...: Disabled

**SMTP**

SMTP Server: 0.0.0.0:25  
 Connect Encryption (TLS): No Encryption  
 Validate Server Certificate (TLS):

**Protocols (cont.)**

NTP:	Disabled
FTP Client:	Enabled
FTP Client Mode:	Passive
Web Services on Device:	Enabled

**Apps****Printing**

Banner Sheet:	Enabled
Error Sheets:	Enabled
Paper Substitution:	Enabled
Tray Priority:	1,2,3,4,5,6
Archival Marking Mode:	Off
PostScript:	Installed
Level:	3
Version:	3021.101
PCL:	
Version:	6
Font Name:	Courier
Custom Color Tables:	Enabled
Label:	Not Installed
Print From:	Enabled
Saved Jobs for Reprint:	Enabled
Print From USB:	Enabled
Cloud Services:	Disabled

**Accounting**

Accounting Mode:	None
Network Accounting:	Disabled

**Security****Authentication Configuration**

Machine UI Authentication:	Locally on the Device
Home:	Unlocked
Jobs Pathway:	Unlocked
Printer Pathway:	Unlocked
Device Website Authentication:	Locally on the Device
Authorization:	Locally on the Device

**Authentication Server:****Xerox Secure Access:****Audit Log:****IP Sec:****IP Filtering:****Security Certificates**

Machine Certificate:	Signed
Root Certificates Installed:	S4

**802.1x:****Job Data Removal:**

Scheduled:	Disabled
------------	----------

**FIPS 140-3:****TLS:**

TLS Hash:	TLS 1.2 and TLS 1.3
Trellix Embedded Control:	SHA-1, SHA-256 and above

**Trellix Embedded Control:**

Enhanced Security

**Common User Data**

Machine Name: Xerox VersaLink C620 (6C:CB:6A)  
 IP Address: 10.61.16.154  
 Machine Serial Number: UMQ000558  
 Machine URL: https://10.61.16.154  
 Machine Activation Date: Jul 09, 2024 21:15:45  
 Black Impressions: 1436  
 Color Impressions: 2784  
 Total Impressions: 4220

**Machine Profile**

Xerox Asset Tag:  
 Customer Asset Tag:  
 Service Phone Number:  
 Customer Support Number:  
 Supplies Phone Number:  
 System Administrator:  
 Machine Location:  
**Managed By**  
 Primary MB Server:

System Administrator name not set  
 machine location not set

**Machine Hardware**

Foreign Interface Card: not present  
 Device RAM Size: 1984 MB  
 Device Storage Size: used= 2712MB/total=14004MB (eMMC)  
 EPC Memory Size: 187 MB  
 Productivity Kit: Not Installed  
 Finisher Type: Simple Catch Tray  
 Finisher Punch: None  
 Finisher Folder: not present

**General Setup**

Remote Services: Enabled  
 Remote Software Download: Enabled  
 Remote Services Trans. Time: 17:27  
 Xerox Workplace Cloud: Enabled  
 E-mail Alerts: Disabled  
 Service Plan: Metered  
 Geographic Region: unknown  
 GMT Offset: +05:30  
 Cloning Installation: Allowed (Encrypted Files Only)  
 File Sharing: Enabled  
 JBIG2: Lossless  
**Energy Saver**  
 Deep Sleep: Enabled  
 Energy Saver Mode: Job Activated  
**Smart Proximity Sensor**  
 Wake on Arrival: Not Available  
 Sleep on Departure:

**Software Versions**

Device Software: 122.026.005.02900  
 Patch Version: None  
 Network Controller: 122.026.02900  
 UI Panel Firmware: 6.2  
 Marking Engine: 230.319  
 Finisher: 000.000.000  
**Machine Upgrades:**  
 Last Successful Upgrade: February 5, 2025 06:37:45

**Media Trays**

Tray 1: Plain, White and A4 (210 x 297 mm)  
 Tray 2: Plain, White and A4 (210 x 297 mm)  
 Tray 3: Plain, White and A4 (210 x 297 mm)  
 Tray 4: Plain, White and A4 (210 x 297 mm)  
 Tray 5: Plain, White and A4 (210 x 297 mm)  
 Bypass Tray: Plain, White and Letter (8.5 x 11")

**Installed Options**

PS: Installed

**Connectivity**

**Mobile Workflows**

AirPrint Printing: Enabled  
 Mopria Printing: Enabled

**Physical Connections**

**USB Settings**  
 USB Type A Ports: All Enabled  
 USB Type B Port: Disabled  
**Wired:**  
 Ethernet MAC Address: Enabled  
 Ethernet Speed/Duplex Setting: 12:57:d3:6c:cb:5a  
 auto  
 Disabled

**Wireless:**

Wireless MAC Address:  
 Network Name (SSID):  
 BSSID:  
 Security Mode:  
 Encryption Algorithm:  
 Status:  
**Wi-Fi Direct:** Enabled  
 Wireless Hardware: Not Installed  
 Wi-Fi Protected Setup (WPS) Name:  
 Access Point (SSID):  
 Show Password on Device Touch Screen:

**NFC:**

iBeacon (Bluetooth®) for AirPrint Di... Enabled  
 iBeacon Hardware: Not Installed  
 Bluetooth Device Address:  
 iBeacon IP Address:

**Protocols**

**TCP/IPv4:**

IP Address: 10.61.16.154  
 Subnet Mask: 255.255.255.0  
 Router/Gateway: 10.61.16.1  
 Automatic Addressing: DHCP  
 DHCP Server: 10.61.13.224  
 DHCP Lease Expiration: Thu Feb 13 00:35:32 2025  
 BOOTP Broadcast: Disabled  
 Self Assigned Address State: Enabled  
 Self Assigned Address:

**TCP/IPv6:**

Link Local Address: Enabled  
 fe80::1057:d3ff:fe6c:cb6a  
 Use Router Supplied Prefix: Enabled  
 Stateless Global Address 1: fd00:0:2:116:1057:d3ff:fe6c:cb6a  
 Stateless Global Address 2: ::  
 Manual Address:  
 DHCP Addressing: Use DHCP as directed by a router  
 DHCP Address:  
 Default Gateway: fe80::8afc:5dff:fe75:e282  
 DUID (DHCP Unique Identifier):

**DNS Settings:**

Requested Host Name: XRX1257D36CCB6A  
 Verified Host Name:  
 Requested Domain Name:  
 Verified Domain Name:  
 Multicast DNS: Enabled  
 Release DHCP Leases and DNS Registrati... Disabled  
 Primary DNS Server: 10.61.7.15  
 Prefer IPv6 DNS over IPv4: Enabled

**Bonjour:**

Bonjour Printer Name: Xerox VersaLink C620 (6C:CB:6A)

**HTTP:**

Force Traffic over Secure Connection (H... Enabled  
 IPP: Yes  
 Enabled

**SNMP**

SNMP v1/v2: Enabled  
 SNMP v3: Disabled

**LPR/LPD:**

Enabled

**Raw IP Printing:**

Enabled

**LDAP**

LDAP Server 1 Primary LDAP Address: 0.0.0.0:389  
 LDAP Server 1 Search Directory Root: Translation Not Found  
 LDAP Server 1 Secure Connection (LDA... Disabled  
 LDAP Server 1 Validate Server Certificate... Disabled

**SMTP**

SMTP Server: 0.0.0.0:25  
 Connect Encryption (TLS): No Encryption  
 Validate Server Certificate (TLS):

**Protocols (cont.)**

NTP: Disabled  
 FTP Client: Enabled  
 FTP Client Mode: Passive  
 Web Services on Device: Enabled

**Apps**

**Printing**

Banner Sheet: Enabled  
 Error Sheets: Enabled  
 Paper Substitution: Enabled  
 Tray Priority: 1,2,3,4,5,6  
 Archival Marking Mode: Off  
 PostScript: Installed  
 Level: 3  
 Version: 3021.101  
 PCL: 6  
 Version: 6  
 Font Name: Courier  
 Custom Color Tables: Enabled  
 Label: Not Installed  
 Print From: Enabled  
 Saved Jobs for Reprint: Enabled  
 Print From USB: Enabled  
 Cloud Services: Disabled

**Accounting**

Accounting Mode: None  
 Network Accounting: Disabled

**Security**

**Authentication Configuration**

Machine UI Authentication: Locally on the Device  
 Home: Unlocked  
 Jobs Pathway: Unlocked  
 Printer Pathway: Unlocked  
 Device Website Authentication: Locally on the Device  
 Authorization: Locally on the Device

**Authentication Server:**

**Xerox Secure Access:**

**Audit Log:**

**IP Sec:**

**IP Filtering:**

**Security Certificates**

Machine Certificate: Signed  
 Root Certificates Installed: 54

**802.1x:**

**Job Data Removal:**

Scheduled: Disabled

**FIPS 140-3:**

**TLS:**

TLS Hash: TLS 1.2 and TLS 1.3  
 TLS Hash: SHA-1, SHA-256 and above

**Trellix Embedded Control:**

Enhanced Security