

# Supplies Usage

## Consumables

### 1 Toner Cartridges



**Black**

Date Installed: Jan 23, 2025  
 Reorder: 006R01742  
 Estimated Pages Remaining: 32500  
 (Based upon this toner cartridge's average coverage: 2%)

Life Remaining: 100%  
 50%  
 0%

**Cyan**

Date Installed: Jan 1, 2021  
 Reorder: 006R01743  
 Estimated Pages Remaining: 9000  
 (Based upon this toner cartridge's average coverage: 1%)

Life Remaining: 100%  
 50%  
 0%

**Magenta**

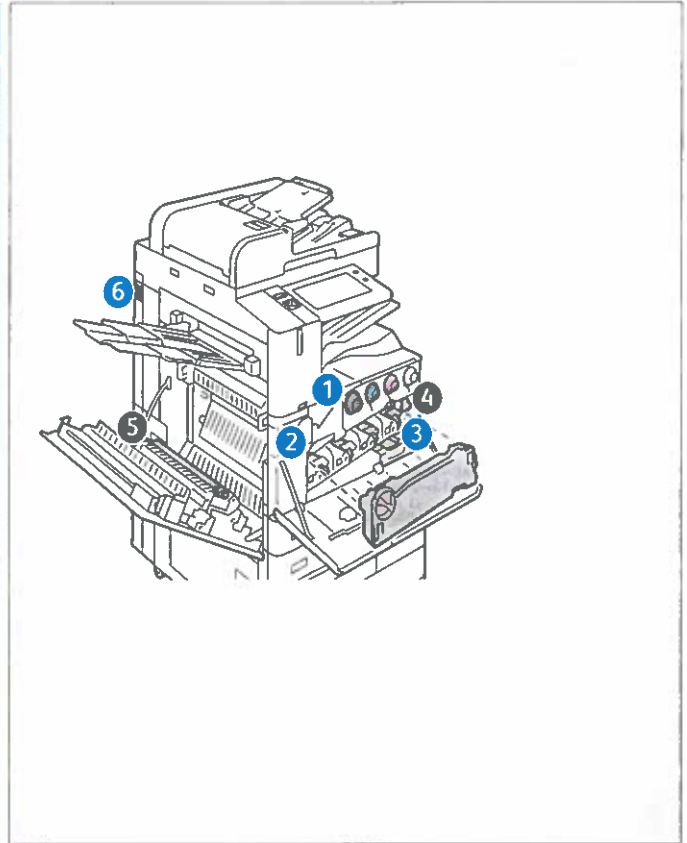
Date Installed: Feb 29, 2024  
 Reorder: 006R01744  
 Estimated Pages Remaining: 500  
 (Based upon this toner cartridge's average coverage: 0%)

Life Remaining: 100%  
 50%  
 0%

**Yellow**

Date Installed: Mar 12, 2025  
 Reorder: 006R01745  
 Estimated Pages Remaining: 20500  
 (Based upon this toner cartridge's average coverage: 0%)

Life Remaining: 100%  
 50%  
 0%



## Routine Maintenance Items

### 2 Drum Cartridge



**Black (R1)**

Date Installed: Mar 10, 2023  
 Reorder: 013R00681  
 Estimated Pages Remaining: 138000  
 (Based on average printer job size: 1 Pages)

Life Remaining: 100%  
 50%  
 0%

**Cyan (R2)**

Date Installed: Apr 10, 2023  
 Reorder: 013R00681  
 Estimated Pages Remaining: 146500  
 (Based on average printer job size: 1 Pages)

Life Remaining: 100%  
 50%  
 0%

**Magenta (R3)**

Date Installed: Jan 3, 2021  
 Reorder: 013R00681  
 Estimated Pages Remaining: 164500  
 (Based on average printer job size: 1 Pages)

Life Remaining: 100%  
 50%  
 0%

**Yellow (R4)**

Date Installed: Mar 10, 2023  
 Reorder: 013R00681  
 Estimated Pages Remaining: 130000  
 (Based on average printer job size: 1 Pages)

Life Remaining: 100%  
 50%  
 0%

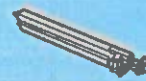
### 3 Waste Container



Date Installed: Apr 16, 2025  
 Reorder: 008R08101

OK

### 4 Transfer Belt Cleaner



Date Installed: Apr 16, 2025  
 Reorder: 001R00623  
 Estimated Pages Remaining: 157500



### 5 Second Bias Transfer Roller



Date Installed: Apr 16, 2025  
 Reorder: 008R08103  
 Estimated Pages Remaining: 357500



# Supplies Usage

Supplies ordering information is located at [www.xerox.com/office/supplies](http://www.xerox.com/office/supplies)

## Consumables

### 1 Toner Cartridges



**Black**

Date Installed: Jan 23, 2025  
 Reorder: 006R01742  
 Estimated Pages Remaining: 32500  
 (Based upon this toner cartridge's average coverage: 0%)

Life Remaining: 100%  
 50%  
 0%

**Cyan**

Date Installed: Jan 1, 2021  
 Reorder: 006R01743  
 Estimated Pages Remaining: 9000  
 (Based upon this toner cartridge's average coverage: 0%)

Life Remaining: 100%  
 50%  
 0%

**Magenta**

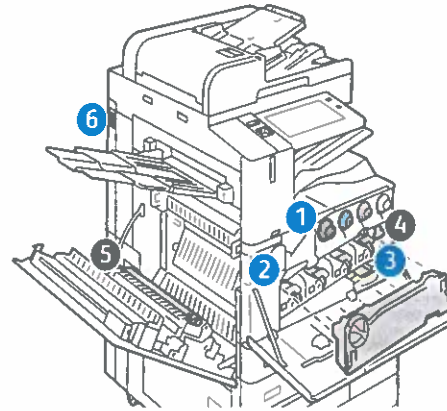
Date Installed: Feb 29, 2024  
 Reorder: 006R01744  
 Estimated Pages Remaining: 500  
 (Based upon this toner cartridge's average coverage: 0%)

Life Remaining: 100%  
 50%  
 0%

**Yellow**

Date Installed: Mar 12, 2025  
 Reorder: 006R01745  
 Estimated Pages Remaining: 20500  
 (Based upon this toner cartridge's average coverage: 0%)

Life Remaining: 100%  
 50%  
 0%



## Routine Maintenance Items

### 2 Drum Cartridge



**Black (R1)**

Date Installed: Mar 10, 2023  
 Reorder: 013R00681  
 Estimated Pages Remaining: 138000  
 (Based on average printer job size: 1 Pages)

Life Remaining: 100%  
 50%  
 0%

**Cyan (R2)**

Date Installed: Apr 10, 2023  
 Reorder: 013R00681  
 Estimated Pages Remaining: 146500  
 (Based on average printer job size: 1 Pages)

Life Remaining: 100%  
 50%  
 0%

**Magenta (R3)**

Date Installed: Jan 3, 2021  
 Reorder: 013R00681  
 Estimated Pages Remaining: 164500  
 (Based on average printer job size: 1 Pages)

Life Remaining: 100%  
 50%  
 0%

**Yellow (R4)**

Date Installed: Mar 10, 2023  
 Reorder: 013R00681  
 Estimated Pages Remaining: 130000  
 (Based on average printer job size: 1 Pages)

Life Remaining: 100%  
 50%  
 0%

### 3 Waste Container



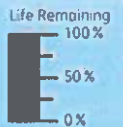
Date Installed: Mar 6, 2025  
 Reorder: 008R08101

OK

### 4 Transfer Belt Cleaner



Date Installed: Mar 6, 2025  
 Reorder: 001R00623  
 Estimated Pages Remaining: 157500



### 5 Second Bias Transfer Roller



Date Installed: Mar 6, 2025  
 Reorder: 008R08103  
 Estimated Pages Remaining: 357500

