

**Common User Data**

Machine Name: Xerox AltaLink C8230 Color MFP (A2.6)  
 IP Address: 10.61.16.79  
 Machine Serial Number: ZRE674017  
 Fax Line 1: 3338  
 Machine URL: http://10.61.16.79/  
 Machine Activation Date: Mar 20, 2025 18:28:59  
 Black Impressions: 3612  
 Color Impressions: 2891  
 Total Impressions: 6503

**Machine Profile**

Yearly Active Top: 0  
 Customer Asset Type: 0  
 Customer Support Number: 2e12e12e12  
 Support Phone Number: 0

**Managed By**

Primary MIB Server: 0

**Machine Hardware**

Fax Card: Embedded; 1 Line  
 Fax Memory Size: 1933 MB  
 Device RAM Size: 4096 MB  
 Device Storage Size: used=3232MB/total=256060MB (SSD)  
 FDC Memory Size: 600 KB  
 Finisher Type: BR Finisher  
 Finisher Paper: 210 mm  
 Finisher Folder: not present  
 Multi-feed Detection Kit: Not Installed

**General Setup**

Remote Services: Enabled  
 Remote Software Download: Enabled  
 Remote Services Trans. Time: 11:45  
 Xerox Workplace Cloud: Enabled  
 Service Plan: Metered  
 Billing Impression Mode: A3 Impressions  
 Geographic Region: unknown  
 GMT Offset: +05:30  
 Cloning Installation: Allowed (Encrypted Files Only)  
 File Sharing: Enabled  
 JBIG2: Lossless  
 Energy Saver: Disabled  
 Deep Sleep: Job Activated  
 Energy Saver Mode:  
 Smart Proximity Sensor: Enabled  
 Wake on Arrival: Enabled  
 Sleep on Departure: Disabled

**Software Versions**

Device Software: 122.038.005.09900  
 Patch Version: None  
 Network Controller: 122.038.09900  
 UI Panel Firmware: 003.005.00000  
 Marking Engine: 030.045.000  
 Document Feeder: 023.026.000  
 Finisher: 006.003.000  
 Fax: 003.021.018  
 Scanner: 017.024.014  
 Machine Upgrades: Allowed  
 Last Successful Upgrade: April 14, 2025 15:26:14

**Media Trays**

Tray 1: Plain, White and A4 (210 x 297 mm)  
 Tray 2: Plain, White and A4 (210 x 297 mm)  
 Tray 3: Plain, White and A4 (210 x 297 mm)  
 Tray 4: Plain, White and A4 (210 x 297 mm)  
 Bypass Tray: Plain, White and x=19.02 inches, y=12.60 in.

**Installed Options**

PS: Installed

**Connectivity**

**Mobile Workflows**

AirPrint Printing: Enabled  
 Mopria Printing: Enabled  
 AirPrint / Mopria Scanning: Enabled  
 Authentication Required: Disabled

**Physical Connections**

**USB Settings**  
 USB Type A Ports: All Enabled  
 USB Type B Port: Enabled  
**Wired**  
 Ethernet MAC Address: Enabled  
 Ethernet Speed/Duplex Setting: 9c93:4ea2:6ee3  
 auto  
**Wireless**  
 Network Name (SSID): Disabled  
 BSSID:

**Wi-Fi**

Status: Enabled  
 Wi-Fi Direct: Enabled  
 Wireless hardware: Not Installed  
 Wi-Fi Protected Setup (WPS) Profile: Not Installed  
 Access Point (SSID):  
 Show Password on Device Touch Screen:  
**BLE**  
 iBeacon (Bluetooth®) for AirPrint Dis...: Enabled  
 iBeacon Hardware: Not Installed  
 Bluetooth Device Address:

**Protocols**

**TCP/IPV4:**

IP Address: 10.61.16.79  
 Subnet Mask: 255.255.255.0  
 Router/Gateway: 10.61.16.1  
 Automatic Addressing: DHCP  
 DHCP Server: 10.61.13.223  
 DHCP Lease Expiration: Mon Apr 21 16:40:38 2025  
 DHCP Broadcast: Disabled  
 Self Assigned Address State: Enabled  
 Self Assigned Address:

**TCP/IPV6:**

Link Local Address: Enabled  
 fe80::9e93:4eff:fea2:6ee3  
 Use Router Supplied Prefix: Enabled  
 Stateless Global Address 1: Enabled  
 fd00:02:116:9e93:4eff:fea2:6ee3  
 Stateless Global Address 2: ::  
 Manual Address:  
 DHCP Addressing: Use DHCP as directed by a router  
 DHCP Address:  
 Default Gateway: fe80::8afc:5dff:fe75:e282  
 DUID (DHCP Unique Identifier):

**DNS Settings:**

Requested Host Name: XRX9C934EA26EE3  
 Verified Host Name:  
 Requested Domain Name:  
 Verified Domain Name:  
 Multicast DNS: Enabled  
 Release DHCP Leases and DNS Registrati...: Disabled  
 Primary DNS Server: 10.61.7.16  
 Prefer IPv6 DNS over IPv4: Enabled

**Bonjour:**

Bonjour Printer Name: Xerox AltaLink C8230 Color MFP (A2.6)

**HTTP:**

Force Traffic over Secure Connection (H...): Enabled  
 IPP: Yes  
 Enabled

**SNMP**

SNMP v1/v2: Enabled  
 SNMP v3: Disabled  
**LPR/LPD:** Enabled  
**Raw IP Printing:** Enabled

**LDAP**

LDAP Server 1 Primary LDAP Address: 0.0.0.0:389  
 LDAP Server 1 Search Directory Root:  
 LDAP Server 1 Secure Connection (LDA...): Disabled  
 LDAP Server 1 Validate Server Certificate...: Disabled

**SMTP**

SMTP Server: 0.0.0.0:25  
 Connect Encryption (TLS): No Encryption  
 Validate Server Certificate (TLS):  
 SMTP Authentication Type: Basic Auth with SMTP

**Protocols (cont.)**

POP3	Disabled
POP3 Secure Connection (TLS):	Disabled
POP3 Validate Server Certificate:	
E-mail Address:	
NTP	Disabled
FTP Client:	Enabled
FTP Client Mode:	Passive
Web Services on Device:	Enabled

**Apps****Printing**

Banner Sheet:	Disabled
Error Sheet:	Enabled
Tray Priority:	1,2,3,4,5
PostScript	Installed

PCL	
Version:	6
Font Name:	Default
Custom Color Tables	Enabled
Label:	Not installed

**Fax:**

Fax Line:	Enabled/Displayed
-----------	-------------------

**Server Fax:**

Repository Protocol:	Enabled
Repository Server:	SMB
Repository Server:	000000

**Workflow Scanning:**

Workflow Scanning:	Enabled
--------------------	---------

**Email:**

Email:	Enabled
--------	---------

**Scan to Mailbox:**

Storage Capacity (MB):	46924 MB
Storage Used (MB):	2417 MB
Cleanup of Public Folders:	Enabled
Cleanup of Created Folders:	Enabled
Cleanup Time:	Daily

**Scan to Home:**

Scan to Home:	Disabled
---------------	----------

**Scan To:**

Scan To:	Enabled
----------	---------

**Print From:**

Cloud Services:	Disabled
Print From:	Enabled
Saved Jobs for Reprint:	Enabled
Print From USB:	Enabled
Print From MailBox:	Disabled
Cloud Services:	Disabled

**Accounting**

Accounting Mode:	None
Network Accounting:	Disabled

**Security****Authentication Configuration**

Machine UI Authentication:	Locally on the Device
Home:	Unlocked
Jobs:	Unlocked
Device:	Unlocked
Device Website Authentication:	Locally on the Device
Authorization:	Locally on the Device
Retrieve E-mail from LDAP:	Enabled

**Authentication Server:**

Authentication Server:	Kerberos
------------------------	----------

**Xerox Secure Access:**

Xerox Secure Access:	Disabled
----------------------	----------

**Audit Log:**

Audit Log:	Enabled
------------	---------

**IP Sec:**

IP Sec:	Disabled
---------	----------

**IP Filtering:**

IP Filtering:	Disabled
---------------	----------

**Security Certificates**

Machine Certificate:	Signed
----------------------	--------

Root Certificates Installed:	56
------------------------------	----

**802.1x:**

802.1x:	Disabled
---------	----------

**Job Data Removal:**

Job Data Removal:	Disabled
-------------------	----------

**Scheduled:**

Scheduled:	Disabled
------------	----------

**FIPS 140-3:**

FIPS 140-3:	Disabled
-------------	----------

**TLS:**

TLS:	TLS 1.2 and TLS 1.3
------	---------------------

**TLS Hash:**

TLS Hash:	SHA-1, SHA-256 and above
-----------	--------------------------

**Trellix Embedded Control:**

Trellix Embedded Control:	Enhanced Security
---------------------------	-------------------

## Common User Data

Machine Name: Xerox AtlasLink C8230 Color MFP (AE)  
 IP Address: 10.61.16.79  
 Machine Serial Number: ZRE674017  
 Fax Line 1: 3338  
 Machine URL: http://10.61.16.79  
 Machine Activation Date: Mar 20, 2025 18:28:59  
 Black Impressions: 3613  
 Color Impressions: 2892  
 Total Impressions: 6505

## Machine Profile

Xerox Asset Tag:  
 Customer Asset Tag:

Customer Support Number: Ze12e12e12  
 Supplier Phone Number:

## Managed By

Primary M8 Server

## Machine Hardware

Fax Card: Embedded; 1 Line  
 Fax Memory Size: 1933 MB  
 Embedded Fax Color: Not Present  
 Device RAM Size: 4096 MB  
 Device Storage Size: used=3233MB/total=256060MB (SSD)  
 FDR Memory Size: 600 MB  
 Finisher Type: BR Finisher  
 Finisher Model: 475 None  
 Finisher Folder: not present  
 Multi-feed Detection Kit: Not Installed

## General Setup

Remote Services: Enabled  
 Remote Software Download: Enabled  
 Remote Services Trans. Time: 11:45  
 Xerox Workplace Cloud: Enabled  
 Cloud Alerts: Disabled  
 Service Plan: Metered  
 Billing Impression Mode: A3 Impressions  
 Geographic Region: unknown  
 Startup Config Report: Enabled  
 GMT Offset: +05:30  
 Cloning Installation: Allowed (Encrypted Files Only)  
 Allow Print Submission of Clone Files: Enabled  
 File Sharing: Enabled  
 JBIG2: Lossless

## Energy Saver

Deep Sleep: Disabled  
 Energy Saver Mode: Job Activated  
 Sleep Mode Timer: 60 minutes  
 Auto-Off: Disabled

## Smart Proximity Sensor

Wake on Arrival: Enabled  
 Sleep on Departure: Disabled  
 Maximize Detection Range: Disabled

## Software Versions

Device Software: 122.038.005.09900  
 Patch Version: None  
 Network Controller: 122.038.09900  
 UI Panel Firmware: 003.005.00000  
 User Interface: 122.038.09900  
 Marking Engine: 030.045.000  
 Copy Controller: 122.038.09900  
 Document Feeder: 023.026.000  
 Finisher: 006.003.000  
 Fax: 003.021.018  
 OS: 122.005.09810  
 Scanner: 017.024.014  
 Software Upgrade: 122.038.09900

Tray 2:  
 Tray 3:  
 Tray 4:  
 Machine Upgrades: Allowed  
 Last Successful Upgrade: April 14, 2025 15:26:14  
 Scheduled Auto Upgrades: Enabled  
 Auto Upgrade Start Time: Daily  
 Auto Upgrade Server: 10.61.9.116:21

## Media Trays

Tray 1: Plain, White and A4 (210 x 297 mm)  
 Tray 2: Plain, White and A4 (210 x 297 mm)  
 Tray 3: Plain, White and A4 (210 x 297 mm)  
 Tray 4: Plain, White and A4 (210 x 297 mm)  
 Bypass Tray: Plain, White and x=19.02 inches, y=12.60 in

## Connectivity

### Mobile Workflows

AirPrint Printing: Enabled  
 Mopria Printing: Enabled  
 AirPrint / Mopria Scanning: Enabled  
 Authentication Required: Disabled  
 Universal Print: Disabled  
 Universal Print Registration Status: Not Registered

### Physical Connections

USB Settings  
 USB Type A Port: All Control  
 USB Type B Port: Enabled  
 Connection Timeout: 5 seconds

### Wired:

Ethernet Speed/Duplex Setting: auto  
 Wireless: Disabled

### BSSID:

Security Mode:  
 Encryption algorithm:  
 status:

### Wi-Fi Direct:

Wireless Hardware: Enabled  
 Wi-Fi Direct and SoftAP (MDS) Name: Not Installed

### Connection Method:

Subnet Prefix Address:  
 Access Point (SSID):  
 Access Point (SSID) Device Touch Screen:  
 SSID:

iBeacon (Bluetooth®) for AirPrint Di...: Enabled  
 iBeacon Hardware: Not Installed  
 Bluetooth Device Address:  
 iBeacon IP Address:

## Protocols

### TCP/IPV4:

IP Address: Enabled  
 10.61.16.79  
 Subnet Mask: 255.255.255.0  
 Router/Gateway: 10.61.16.1  
 Automatic Addressing: DHCP  
 DHCP Server: 10.61.13.223  
 DHCP Lease Expiration: Mon Apr 21 16:40:38 2025  
 BOOTP Broadcast: Disabled  
 Self Assigned Address State: Enabled  
 Self Assigned Address:

### TCP/IPV6:

Link Local Address: Enabled  
 fe80::9e93:4eff:fea2:6ee3  
 Use Router Supplied Prefix: Enabled  
 Stateless Global Address 1: fd00:0:2116:9e93:4eff:fea2:6ee3  
 Stateless Global Address 2: ::  
 Manual Address:  
 DHCP Addressing: Use DHCP as directed by a router  
 DHCP Address:  
 Default Gateway: fe80::8af::5dff:fe75:e282  
 DUID (DHCP Unique Identifier):

### DNS Settings:

Requested Host Name: XRX9C934EA26EE3  
 Verified Host Name:  
 Requested Domain Name:  
 Verified Domain Name:  
 Multicast DNS: Enabled  
 Release DHCP Leases and DNS Registrati...: Disabled  
 Primary DNS Server: 10.61.7.16  
 Alternate DNS Server 1: 10.61.10.6  
 Alternate DNS Server 2: 10.61.7.15  
 DNS Connection Timeout: 5  
 Append Device Domain: Enabled  
 Append Parent Domains: Disabled  
 DNS Domain Search List: XEROXQA.COM  
 Prefer IPv6 DNS over IPv4: Enabled

## Installed Options

PS: Installed



## Accounting

Accounting Status: Disabled  
Network Accounting: Disabled

## Security

### Authentication Configuration

Machine UI Authentication: Locally on the Device

Home: Unlocked

Jobs: Unlocked

Device: Unlocked

Locally on the Device: Locally on the Device

Authorization: Locally on the Device

Receive E-mail from LDAP: Enabled

Authentication Server: Kerberos

Kerberos Primary Address: 0.0.0.88

Kerberos Alt 1 Address: 0.0.0.443

Kerberos Alt 2 Address: 0.0.0.443

SMB Alt 1 NT Domain: 0.0.0.443

Smartcard Cid Server: 0.0.0.443

Smartcard Cid Domain: 0.0.0.443

Smartcard OCSP URI: 0.0.0.443

Card Reader Upgrade Policy: Enabled

Card Reader Firmware Version: 0.0.0.443

Xerox Secure Access: Disabled

Secure Access Server: 0.0.0.443

Secure Access Path: 0.0.0.443

Audit Log: Enabled

IP Sec: Disabled

IP Filtering: Disabled

Security Certificates: Signed

Machine Certificate: Signed

Root Certificates Installed: Signed

802.1x: Disabled

Job Data Removal: Disabled

Scheduled: Disabled

Scheduled Frequency: Disabled

FIPS 140-3: Disabled

TLS: TLS 1.2 and TLS 1.3

TLS Hash: SHA-1, SHA-256 and above

Trellix Embedded Control: Enhanced Security

## Extensible Service Setup

Third Generation Browser: X3G\_3.24.23\_240.5\_011\_01.00.00

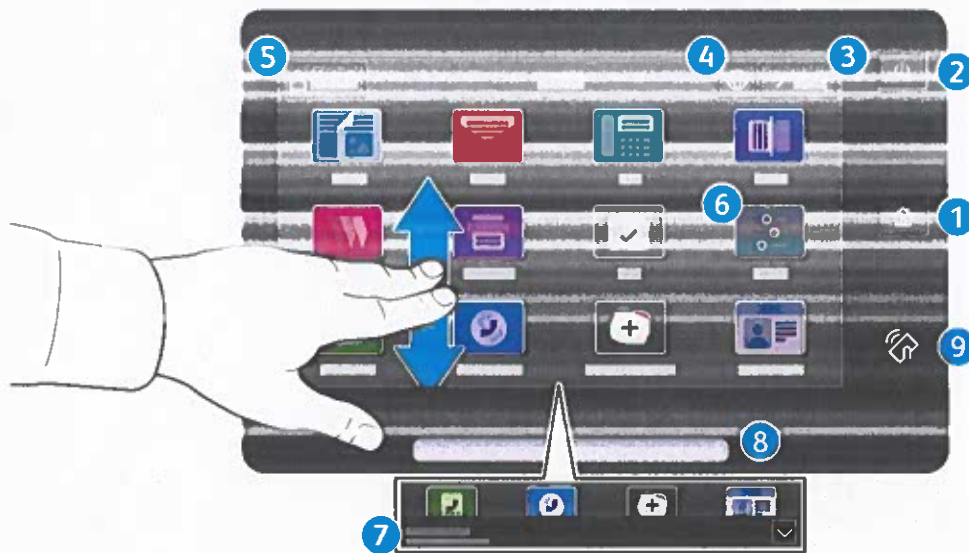
Widget Version: v1.3.17 c8 20140613

Widget Version: v2.5.04 g9 20240123



## Control Panel

Available apps can vary based on your printer setup. For details about apps and features, refer to the *User Guide*.



- 1 **Home** returns to the main app screen.
- 2 **Power/Wake** starts the printer or provides options to sleep, restart or power off the printer.
- 3 **Reset** restores settings to their default values in all apps.
- 4 **Language** provides choice of screen languages.
- 5 **Log In** provides special access to tools and settings.
- 6 **Device app** provides access to printer information and settings.
- 7 **Notification banner** shows printer status and warnings. To see all notifications, touch the banner. To close the banner, touch the down arrow.
- 8 **Status LED** indicates printer status. For detailed information, refer to the *User Guide*.
- 9 **NFC Area** allows pairing with a mobile device to print or scan from an app.

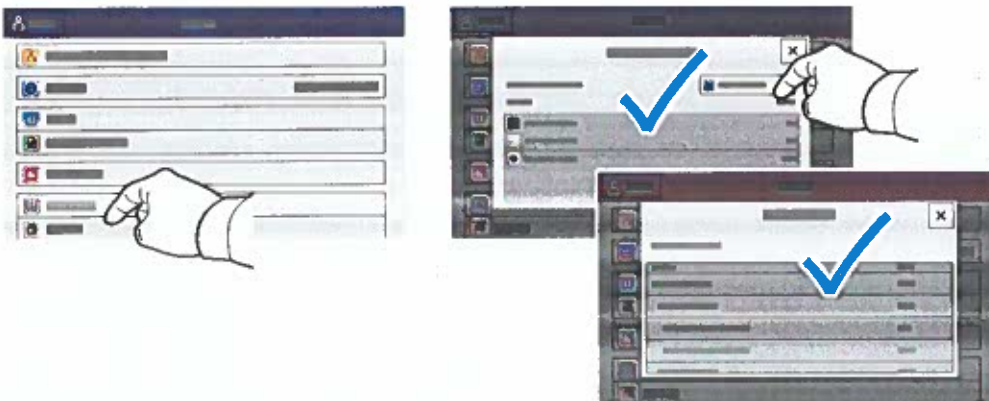
## Device app

The Device app provides access to supplies status, printer information, and settings. Some menus and settings require log in with the administrator name and password.



## Billing and Usage Information

In the Device features menu, to view basic impression counts, touch **Billing/Usage**. To view detailed usage counts, touch **Usage Counters**. The list provides detailed impression count categories.

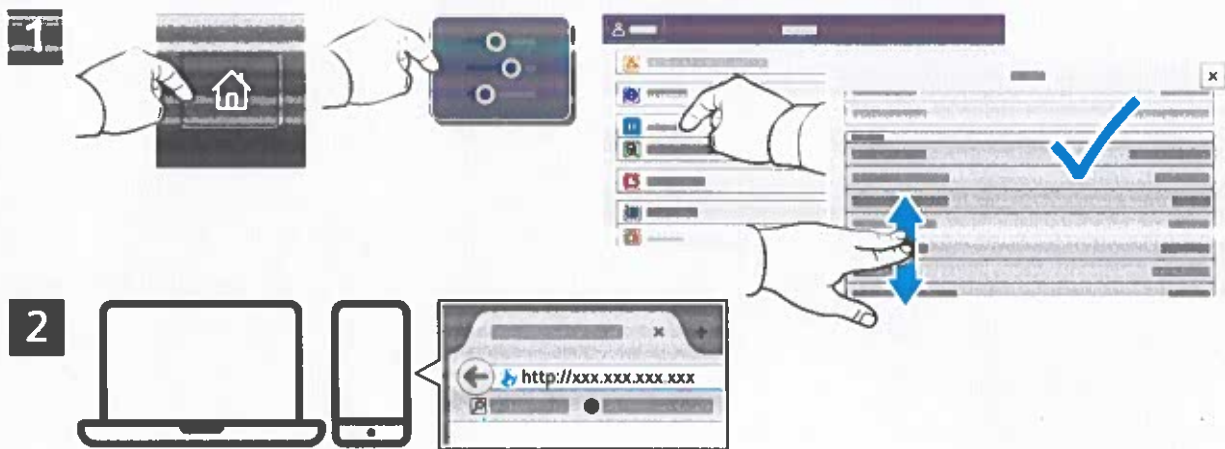


## Embedded Web Server

The Xerox® Embedded Web Server enables you to access printer configuration details, paper and supplies status, job status, and diagnostic functions over a network. You can also manage fax, email, and address books.

To connect, in a Web browser, type the printer IP address. The network IPv4 address is available on the control panel touch screen. Touch Device app > About, then scroll down.

For details on using the Embedded Web Server, refer to the *User Guide* located on Xerox.com.



## App Gallery

The Xerox App Gallery has a growing collection of productivity apps that you can install on your printer. Find the app on your home screen and create your login directly, or go to [www.xerox.com/appgallery](http://www.xerox.com/appgallery) to log in and add your device. To simplify app installation, use the same name for your app gallery login credentials that you used for the printer login.



[www.xerox.com/appgallery](http://www.xerox.com/appgallery)

## Printer Tour

Optional accessories can be part of your printer setup. For details, refer to the *User Guide*.

### Single-Pass Duplex Automatic Document Feeder (DADF)

USB Port

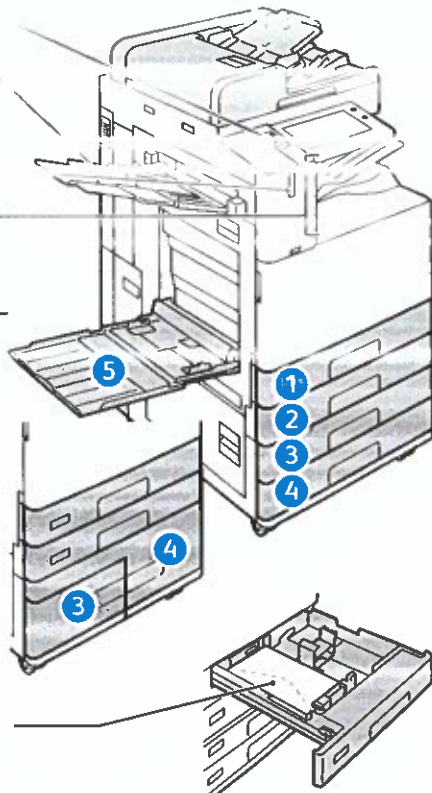
Left Tray

Proximity  
Sensor

Output Trays

Paper Trays

Envelope Tray



Fan Filter (C8270)

Fuser

Toner Cartridges

Drum Cartridges

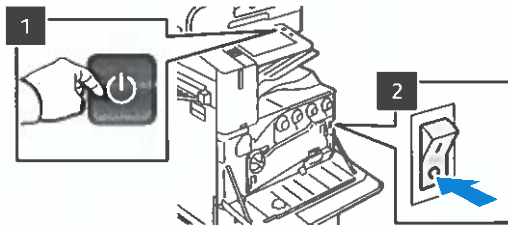
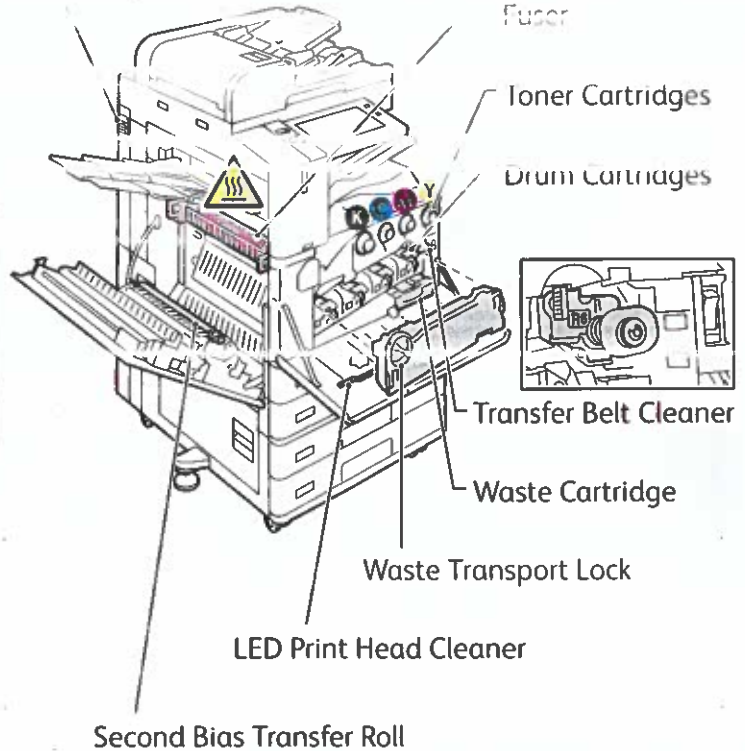
Transfer Belt Cleaner

Waste Cartridge

Waste Transport Lock

LED Print Head Cleaner

Second Bias Transfer Roll



To restart the printer, on the control panel, press the **secondary power switch** (1).

For full printer power off, press the **secondary power switch** (1). Behind the front cover, press the **main power switch** (2).

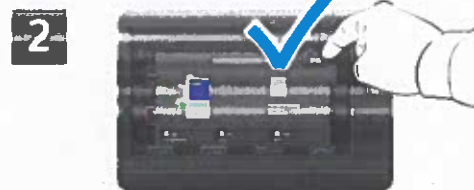
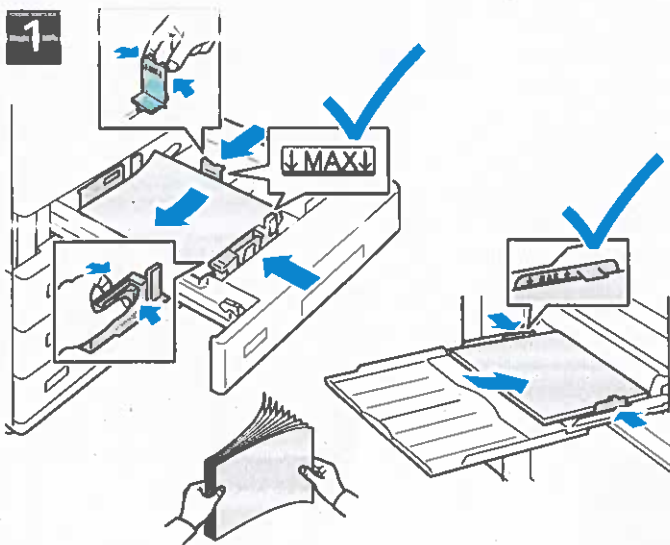
To select sleep mode, press the **secondary power switch** (1). At the printer control panel touch screen, touch a selection.

## Paper Handling

For a complete list of paper that works with your printer, see the Recommended Media List at:  
[www.xerox.com/rmlna](http://www.xerox.com/rmlna) (U.S. and Canada)  
[www.xerox.com/rmleu](http://www.xerox.com/rmleu) (Europe)

For details about trays and paper, refer to the *User Guide*.

### Loading Paper



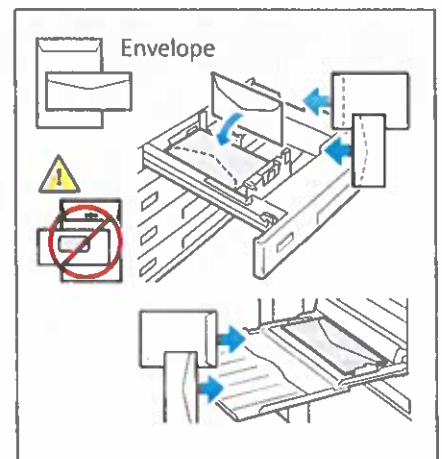
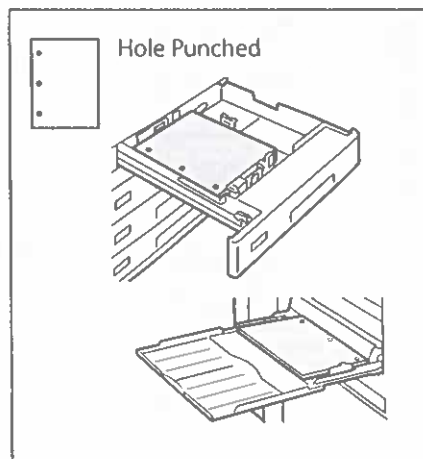
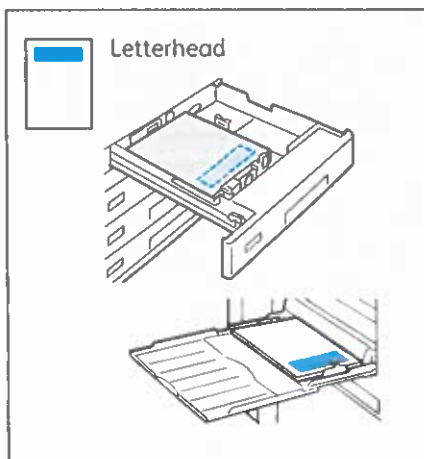
Confirm or change size, type, and color settings if needed.



For the best results, fan the edges of the paper. Adjust the guides to fit the paper size. Do not load paper above the maximum fill line.

When printing, select options in the print driver.

### Paper Orientation



# Copying

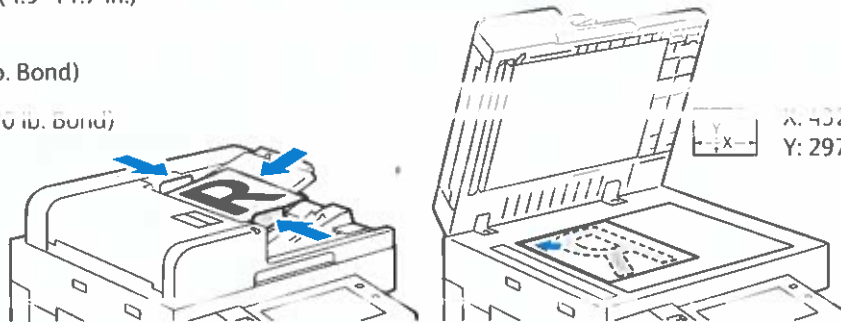
For details, refer to the *User Guide*.

1

X: 85–432 mm (3.3–17 in.)  
Y: 125–297 mm (4.9–11.7 in.)

38–128 g/m<sup>2</sup>  
(26 lb. Text–34 lb. Bond)

≤ 130 (60 g/m<sup>2</sup>, 20 lb. Bond)  
C8270: ≤ 250



Load the original documents.

2

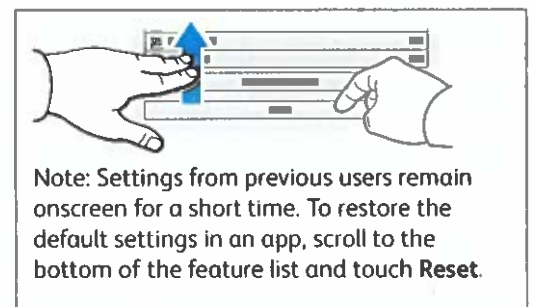


Touch **Copy**, then and select the number of copies.

3



Select feature settings from the list, then touch **Start**.



# Scanning and Emailing

If the printer is connected to a network, you can select a destination for the scanned image at the printer control panel.

This guide defines techniques to scan documents without preparing special setups:

- Scanning documents to an email address
- Scanning documents to a saved Favorite, Address Book listing, or USB Flash Drive.
- Scanning documents to the Default Public folder on the printer hard drive, and retrieving them using your Web browser.

For details and more scan setups, refer to the *User Guide*. For details about address book and workflow template setup, refer to the *System Administrator Guide*.

1



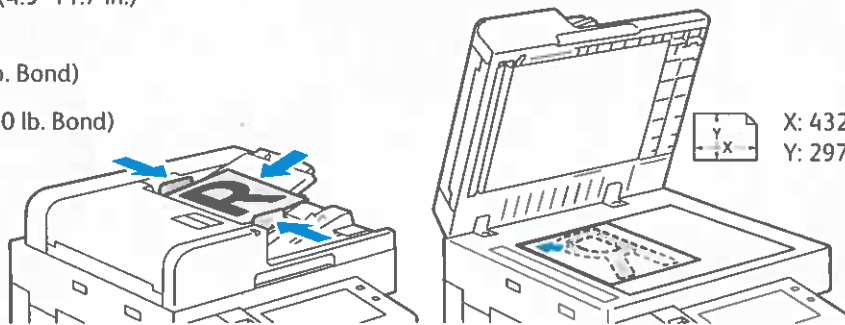
X: 85–432 mm (3.3–17 in.)  
Y: 125–297 mm (4.9–11.7 in.)



38–128 g/m<sup>2</sup>  
(26 lb. Text–34 lb. Bond)



≤130 (80 g/m<sup>2</sup>, 20 lb. Bond)  
C8270: ≤250



X: 432 mm (17 in.)  
Y: 297 mm (11.7 in.)

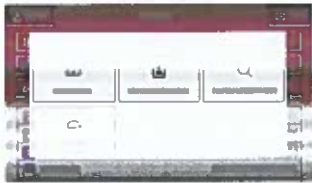
Load the original documents.

2



Press **Home**, then to email the scan, touch **Email**. To scan to the Default Public Folder or a USB Flash Drive, touch **Workflow Scanning**. If your scan destination is stored in the Address Book or saved as a Favorite, touch **Scan To**.

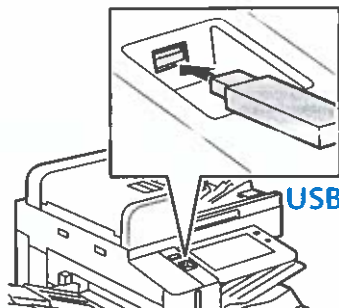
3



For Email, touch **Manual Entry**, type the email address using the touch screen keypad, then touch **Add**. To add more than one email address to the list, touch **Add Recipient**. To type a subject line for the email, touch **Subject**. To select saved email addresses, use the Device Address Book or select from Favorites.



For Workflow Scanning, touch **Default Public Folder**, or insert your USB Flash Drive.

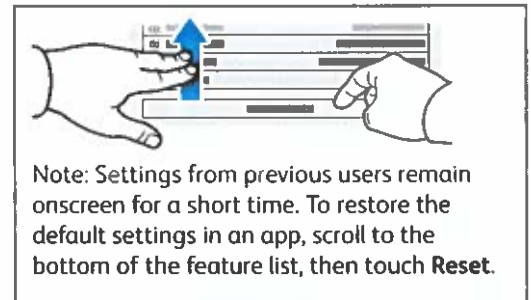


For Scan To, touch a destination type, then enter the appropriate information. To add more than one destination to the list, touch **Add Destination**.

4



Change the settings as needed, then touch **Scan**, or for Email, touch **Send**.



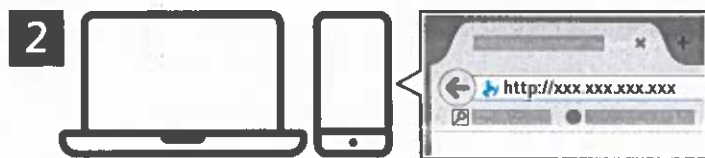
Note: Settings from previous users remain onscreen for a short time. To restore the default settings in an app, scroll to the bottom of the feature list, then touch **Reset**.

# Retrieving Scan Files

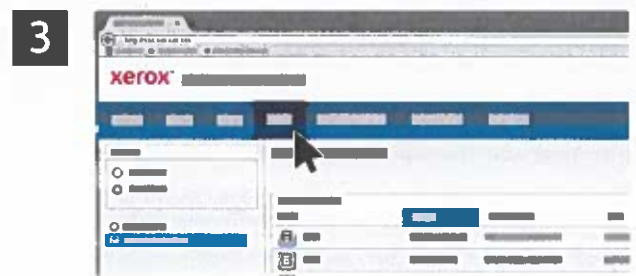
To download your scanned images from the Default Public Folder on the printer, use the Embedded Web Server. You can set up personal folders and workflow scanning templates in the Embedded Web Server. For details, refer to the *User Guide*.



Note the printer IP address on the touch screen. If the IP Address does not appear in the top of the touch screen, press Home, touch **Device** > **About** then scroll to check the IP Address.



In a Web browser, type the printer IP address, then press **Enter** or **Return**.



Click the **Scan** tab.

4



Select the **Default Public Folder**, then find your scan in the list. To download the scan, click **Go**.

A close-up screenshot of the file list interface. It shows a table of files with columns for file name, size, and date. On the right side of each row, there are several action buttons: 'Open', 'Download', 'Reprint', and 'Delete'. Callouts with arrows point to these buttons, providing instructions on their functions. The 'Update View' button is located at the bottom left of the list area.

To refresh the list, click **Update View**. To save the file to your computer, select **Download**.  
To print the saved file again, select **Reprint**.  
To permanently remove the stored job, select **Delete**.  
To open a directory, select **Open**.

# Faxing

You can send a fax in one of four ways:

- **Fax** scans the document then sends it directly to a fax machine.
- **Server fax** scans the document then sends it to a fax server, which transmits the document to a fax machine.
- **Internet Fax** scans the document then emails it to a recipient.
- **LAN Fax** sends the current print job as a fax.

For details, refer to the *User Guide*. For details about LAN Fax, refer to the print driver software. For details about fax setup and advanced settings, refer to the *System Administrator Guide*.

1



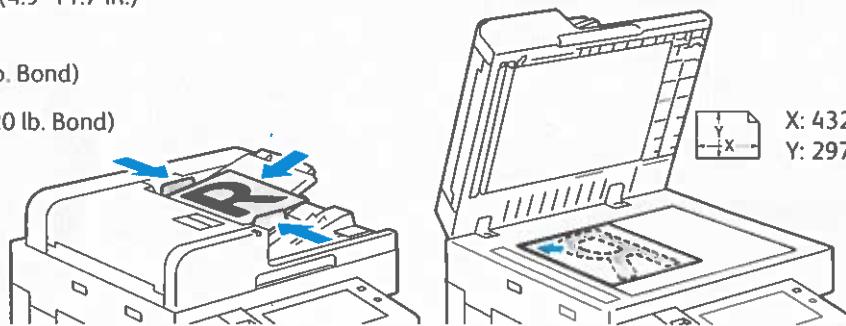
X: 85–432 mm (3.3–17 in.)  
Y: 125–297 mm (4.9–11.7 in.)



38–128 g/m<sup>2</sup>  
(26 lb. Text–34 lb. Bond)



≤130 (80 g/m<sup>2</sup>, 20 lb. Bond)  
C8270: ≤250



X: 432 mm (17 in.)  
Y: 297 mm (11.7 in.)

Load the original document.

2



To send the fax to a fax machine, press **Home**, then touch **Fax** or **Server Fax**.

To send the fax as an email attachment, touch **Home**, then touch **Internet Fax**.

3

3.1



3.2



3.3



For fax numbers, touch **Manual Entry**, then enter the fax number using the touch screen alphanumeric keys and special characters. Touch **Add**. To add more fax numbers to the list, touch **Add Recipient**.

For Internet Fax email addresses, touch **Manual Entry**, then enter the email address using the touch screen keypad. Touch **Add**. To add more email addresses to the list, touch **Add Recipient**.

To select saved numbers, use the Device Address Book or Favorites. To select stored fax locations, use the Mailbox or Polling.

4

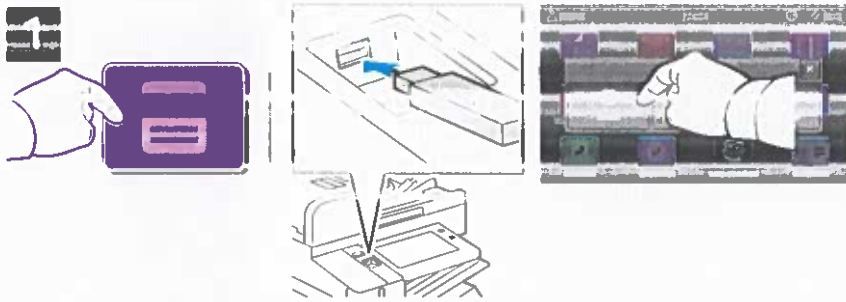


Note: Settings from previous users remain onscreen for a short time. To restore the default settings in an app, scroll to the bottom of the feature list, then touch **Reset**.

Change the settings as needed, then touch **Send**.

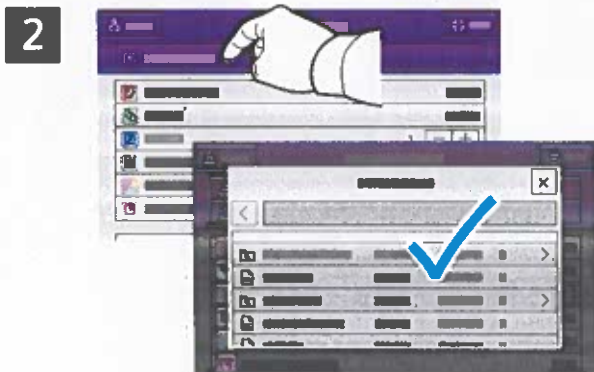
## Printing from a USB Flash Drive

You can print .pdf, .tiff, .ps, .xps and other files types directly from a USB Flash Drive. For more information, refer to the *User Guide*.



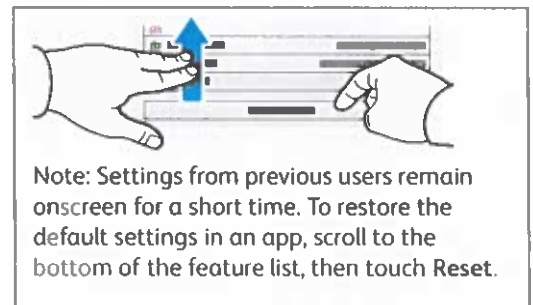
Do not remove USB Flash Drive during reading. Files may be damaged.

Touch **Print From** or insert your USB Flash Drive, then choose **Print From USB**.



To select the number of copies, touch the plus sign (+) or the minus sign (-). For larger numbers, touch **Quantity** then enter a number.

Touch **Add Document**, then navigate to your files and select them.



Note: Settings from previous users remain onscreen for a short time. To restore the default settings in an app, scroll to the bottom of the feature list, then touch **Reset**.

Select settings as needed, then touch **Print**.

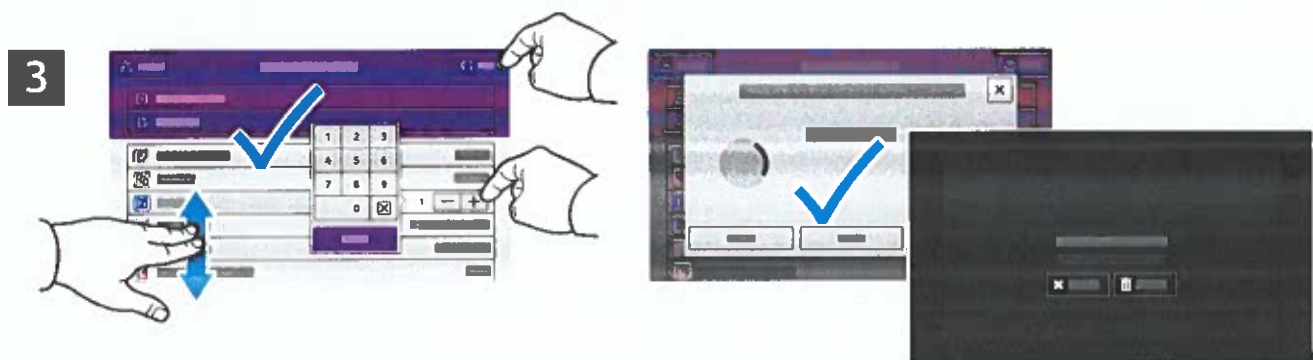
## Printing Jobs Stored on the Printer



You can send a print job to save to the printer, then select the job from the printer control panel to print at a later time. Jobs can be saved in the public folder or be password protected. In the Xerox® printer driver, select **Properties** (Windows) or **Xerox Features** (Mac OS), then **Job Type**. Select **Saved Job** or **Secure Print**. For **Secure Print**, type a passcode. Click **OK** and print the job.



Touch **Print From** then touch **Saved Jobs**. Select the **Default Public Folder** then select your print job.



Select settings from the list. To select the number of copies, touch the plus sign (+) or the minus sign (-). For larger numbers, touch **Quantity** then enter a number. Touch **Print**. To delete the job, in the printing screen and confirmation screen, touch **Delete**.