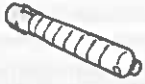


# Utilisation des consommables

Pour commander des consommables, voir [www.xerox.com/office/supplies](http://www.xerox.com/office/supplies)

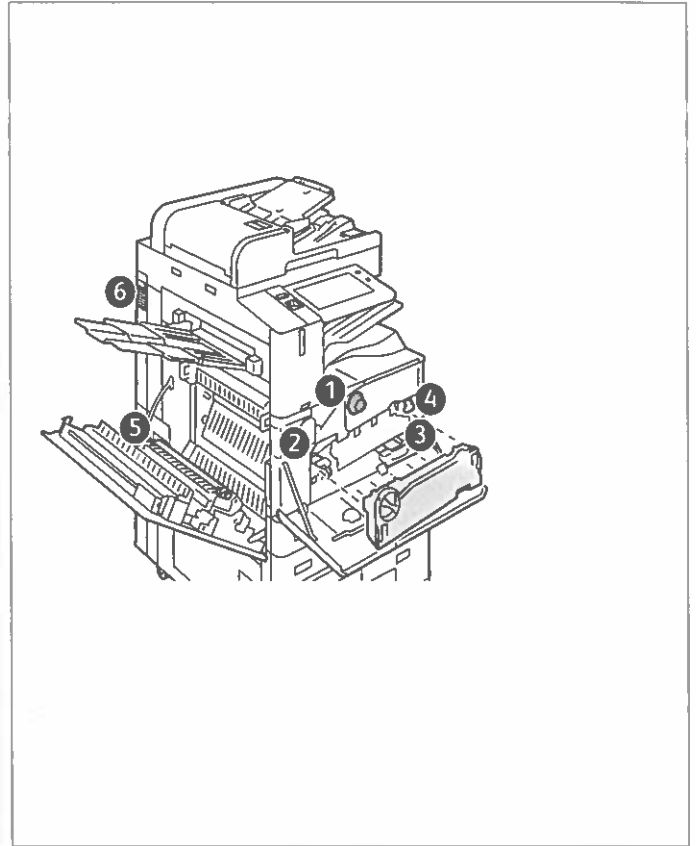
## Consommables

### 1 Cartouches de toner



Noir

Date d'installation: Feb 6, 2024  
 Commander : 006R01770  
 Nombre estimé de pages restantes: 17000  
 (Basé sur la couverture moyenne de cette cartouche de toner: 2%)



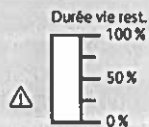
## Éléments de maintenance courante

### 2 Cartouche de tambour



Noir  
(R1)

Date d'installation: Dec 30, 2019  
 Commander : 013R00686  
 Nombre estimé de pages restantes: 0  
 (Basé sur la taille moyenne des travaux d'impression: 1 Pages)



### 3 Bac à déchets

Date d'installation: Feb 28, 2025  
 Commander : 008R08101



OK

### 4 Nettoyeur de la courroie de transfert

Date d'installation: Feb 28, 2025  
 Commander : 001R00623  
 Nombre estimé de pages restantes: 159000



### 5 Rouleau de deuxième transfert

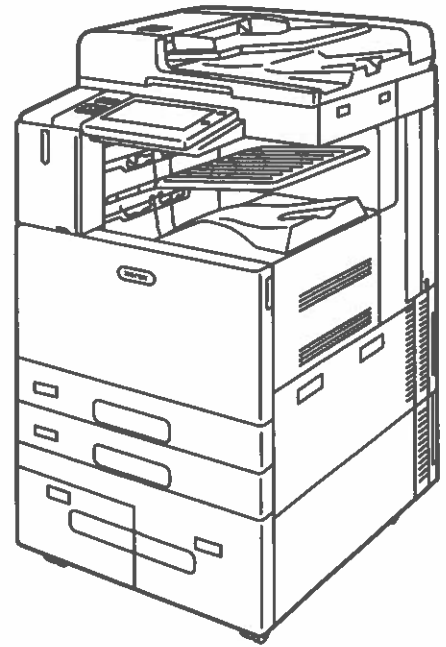
Date d'installation: Feb 28, 2025  
 Commander : 008R08103  
 Nombre estimé de pages restantes: 359000





# Xerox® AltaLink® B8200 Series Black-And-White Multifunction Printers

Productive, Scalable, Built-in Security



XEROX® CONNECTKEY®  
TECHNOLOGY



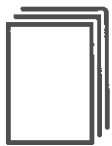
Intuitive User  
Experience



Mobile and  
Cloud Ready



Comprehensive  
Security



Enables Managed  
Print Services



Gateway to New  
Possibilities





## Polices résidentes

Position	Nom de la police	Échantillon d'impression
1	Courier «Esc»(Symbol set«Esc»(s0p«pitch»h0s0b4099T	'ABCDEFgabcdefg0123456789&?!.,'
2	CG Times «Esc»(Symbol set«Esc»(s1p«size»v0s0b4101T	'ABCDEFgabcdefg0123456789&?!.,'
3	CG Times Bold «Esc»(Symbol set«Esc»(s1p«size»v0s3b4101T	'ABCDEFgabcdefg0123456789&?!.,'
4	CG Times Italic «Esc»(Symbol set«Esc»(s1p«size»v1s0b4101T	'ABCDEFgabcdefg0123456789&?!.,'
5	CG Times Bold Italic «Esc»(Symbol set«Esc»(s1p«size»v1s3b4101T	'ABCDEFgabcdefg0123456789&?!.,'
6	CG Omega «Esc»(Symbol set«Esc»(s1p«size»v0s0b4113T	'ABCDEFgabcdefg0123456789&?!.,'
7	CG Omega Bold «Esc»(Symbol set«Esc»(s1p«size»v0s3b4113T	'ABCDEFgabcdefg0123456789&?!.,'
8	CG Omega Italic «Esc»(Symbol set«Esc»(s1p«size»v1s0b4113T	'ABCDEFgabcdefg0123456789&?!.,'
9	CG Omega Bold Italic «Esc»(Symbol set«Esc»(s1p«size»v1s3b4113T	'ABCDEFgabcdefg0123456789&?!.,'
10	Coronet «Esc»(Symbol set«Esc»(s1p«size»v1s0b4116T	'ABCDEFgabcdefg0123456789&?!.,'
11	Clarendon Condensed «Esc»(Symbol set«Esc»(s1p«size»v4s3b4140T	'ABCDEFgabcdefg0123456789&?!.,'
12	Univers Medium «Esc»(Symbol set«Esc»(s1p«size»v0s0b4148T	'ABCDEFgabcdefg0123456789&?!.,'
13	Univers Bold «Esc»(Symbol set«Esc»(s1p«size»v0s3b4148T	'ABCDEFgabcdefg0123456789&?!.,'
14	Univers Medium Italic «Esc»(Symbol set«Esc»(s1p«size»v1s0b4148T	'ABCDEFgabcdefg0123456789&?!.,'
15	Univers Bold Italic «Esc»(Symbol set«Esc»(s1p«size»v1s3b4148T	'ABCDEFgabcdefg0123456789&?!.,'
16	Univers Medium Condensed «Esc»(Symbol set«Esc»(s1p«size»v4s0b4148T	'ABCDEFgabcdefg0123456789&?!.,'
17	Univers Bold Condensed «Esc»(Symbol set«Esc»(s1p«size»v4s3b4148T	'ABCDEFgabcdefg0123456789&?!.,'
18	Univers Medium Condensed Italic «Esc»(Symbol set«Esc»(s1p«size»v5s0b4148T	'ABCDEFgabcdefg0123456789&?!.,'

## Polices résidentes

Position	Nom de la police	Échantillon d'impression
19	Univers Bold Condensed Italic «Esc»(Symbol set«Esc»(s1p«size»v5s3b4148T	'ABCDEFGabcdefg0123456789&?!.,'
20	Antique Olive «Esc»(Symbol set«Esc»(s1p«size»v0s0b4168T	'ABCDEFGabcdefg0123456789&?!.,'
21	Antique Olive Bold «Esc»(Symbol set«Esc»(s1p«size»v0s3b4168T	'ABCDEFGabcdefg0123456789&?!.,'
22	Antique Olive Italic «Esc»(Symbol set«Esc»(s1p«size»v1s0b4168T	'ABCDEFGabcdefg0123456789&?!.,'
23	Garamond Antiqua «Esc»(Symbol set«Esc»(s1p«size»v0s0b4197T	'ABCDEFGabcdefg0123456789&?!.,'
24	Garamond Halbfett «Esc»(Symbol set«Esc»(s1p«size»v0s3b4197T	'ABCDEFGabcdefg0123456789&?!.,'
25	Garamond Kursiv «Esc»(Symbol set«Esc»(s1p«size»v1s0b4197T	'ABCDEFGabcdefg0123456789&?!.,'
26	Garamond Kursiv Halbfett «Esc»(Symbol set«Esc»(s1p«size»v1s3b4197T	'ABCDEFGabcdefg0123456789&?!.,'
27	Marigold «Esc»(Symbol set«Esc»(s1p«size»v0s0b4297T	'ABCDEFGabcdefg0123456789&?!.,'
28	Albertus Medium «Esc»(Symbol set«Esc»(s1p«size»v0s1b4362T	'ABCDEFGabcdefg0123456789&?!.,'
29	Albertus Extra Bold «Esc»(Symbol set«Esc»(s1p«size»v0s4b4362T	'ABCDEFGabcdefg0123456789&?!.,'
30	Ryadh «Esc»(Symbol set«Esc»(s1p«size»v0s0b4859T	ABCDEFGabcdefg0123456789&?!.,'
31	Ryadh Bold «Esc»(Symbol set«Esc»(s1p«size»v0s3b4859T	ABCDEFGabcdefg0123456789&?!.,'
32	Malka «Esc»(Symbol set«Esc»(s1p«size»v0s0b16584T	ABCDEFGabcdefg0123456789&?!.,'
33	Malka Bold «Esc»(Symbol set«Esc»(s1p«size»v0s3b16584T	ABCDEFGabcdefg0123456789&?!.,'
34	Malka Italic «Esc»(Symbol set«Esc»(s1p«size»v1s0b16584T	ABCDEFGabcdefg0123456789&?!.,'
35	Dorit «Esc»(Symbol set«Esc»(s1p«size»v0s0b16585T	ABCDEFGabcdefg0123456789&?!.,'
36	Dorit Bold «Esc»(Symbol set«Esc»(s1p«size»v0s3b16585T	ABCDEFGabcdefg0123456789&?!.,'

## Polices résidentes

Position	Nom de la police	Échantillon d'impression
37	Naamit «Esc»(Symbol set«Esc»(s1p«size»v0s0b16587T	ABCDEFGabcdefg0123456789&?!.,'
38	Naamit Bold «Esc»(Symbol set«Esc»(s1p«size»v0s3b16587T	<b>ABCDEFGabcdefg0123456789&amp;?!.,'</b>
39	Arial «Esc»(Symbol set«Esc»(s1p«size»v0s0b16602T	'ABCDEFGabcdefg0123456789&?!.,'
40	Arial Bold «Esc»(Symbol set«Esc»(s1p«size»v0s3b16602T	<b>'ABCDEFGabcdefg0123456789&amp;?!.,'</b>
41	Arial Italic «Esc»(Symbol set«Esc»(s1p«size»v1s0b16602T	' <i>ABCDEFGabcdefg0123456789&amp;?!.,'</i>
42	Arial Bold Italic «Esc»(Symbol set«Esc»(s1p«size»v1s3b16602T	<b>'<i>ABCDEFGabcdefg0123456789&amp;?!.,'</i></b>
43	Times New Roman «Esc»(Symbol set«Esc»(s1p«size»v0s0b16901T	'ABCDEFGabcdefg0123456789&?!.,'
44	Times New Roman Bold «Esc»(Symbol set«Esc»(s1p«size»v0s3b16901T	<b>'ABCDEFGabcdefg0123456789&amp;?!.,'</b>
45	Times New Roman Italic «Esc»(Symbol set«Esc»(s1p«size»v1s0b16901T	' <i>ABCDEFGabcdefg0123456789&amp;?!.,'</i>
46	Times New Roman Bold Italic «Esc»(Symbol set«Esc»(s1p«size»v1s3b16901T	<b>'<i>ABCDEFGabcdefg0123456789&amp;?!.,'</i></b>
47	Helvetica «Esc»(Symbol set«Esc»(s1p«size»v0s0b24580T	'ABCDEFGabcdefg0123456789&?!.,'
48	Helvetica Bold «Esc»(Symbol set«Esc»(s1p«size»v0s3b24580T	<b>'ABCDEFGabcdefg0123456789&amp;?!.,'</b>
49	Helvetica Oblique «Esc»(Symbol set«Esc»(s1p«size»v1s0b24580T	' <i>ABCDEFGabcdefg0123456789&amp;?!.,'</i>
50	Helvetica Bold Oblique «Esc»(Symbol set«Esc»(s1p«size»v1s3b24580T	<b>'<i>ABCDEFGabcdefg0123456789&amp;?!.,'</i></b>
51	Helvetica Narrow «Esc»(Symbol set«Esc»(s1p«size»v4s0b24580T	'ABCDEFGabcdefg0123456789&?!.,'
52	Helvetica Narrow Bold «Esc»(Symbol set«Esc»(s1p«size»v4s3b24580T	<b>'ABCDEFGabcdefg0123456789&amp;?!.,'</b>
53	Helvetica Narrow Oblique «Esc»(Symbol set«Esc»(s1p«size»v5s0b24580T	' <i>ABCDEFGabcdefg0123456789&amp;?!.,'</i>
54	Helvetica Narrow Bold Oblique «Esc»(Symbol set«Esc»(s1p«size»v5s3b24580T	<b>'<i>ABCDEFGabcdefg0123456789&amp;?!.,'</i></b>

## Polices résidentes

Position	Nom de la police	Échantillon d'impression
55	Palatino Roman «Esc»(Symbol set«Esc»(s1p«size»v0s0b24591T	'ABCDEFgabcdefg0123456789&!.,'
56	Palatino Bold «Esc»(Symbol set«Esc»(s1p«size»v0s3b24591T	'ABCDEFgabcdefg0123456789&!.,'
57	Palatino Italic «Esc»(Symbol set«Esc»(s1p«size»v1s0b24591T	'ABCDEFgabcdefg0123456789&!.,'
58	Palatino Bold Italic «Esc»(Symbol set«Esc»(s1p«size»v1s3b24591T	'ABCDEFgabcdefg0123456789&!.,'
59	ITC Avant Garde Book «Esc»(Symbol set«Esc»(s1p«size»v0s0b24607T	'ABCDEFgabcdefg0123456789&!.,'
60	ITC Avant Garde DemiBold «Esc»(Symbol set«Esc»(s1p«size»v0s2b24607T	'ABCDEFgabcdefg0123456789&!.,'
61	ITC Avant Garde Book Oblique «Esc»(Symbol set«Esc»(s1p«size»v1s0b24607T	'ABCDEFgabcdefg0123456789&!.,'
62	ITC Avant Garde DemiBold Oblique «Esc»(Symbol set«Esc»(s1p«size»v1s2b24607T	'ABCDEFgabcdefg0123456789&!.,'
63	ITC Bookman Light «Esc»(Symbol set«Esc»(s1p«size»v0s-3b24623T	'ABCDEFgabcdefg0123456789&!.,'
64	ITC Bookman DemiBold «Esc»(Symbol set«Esc»(s1p«size»v0s2b24623T	'ABCDEFgabcdefg0123456789&!.,'
65	ITC Bookman Light Italic «Esc»(Symbol set«Esc»(s1p«size»v1s-3b24623T	'ABCDEFgabcdefg0123456789&!.,'
66	ITC Bookman DemiBold Italic «Esc»(Symbol set«Esc»(s1p«size»v1s2b24623T	'ABCDEFgabcdefg0123456789&!.,'
67	New Century Schoolbook Roman «Esc»(Symbol set«Esc»(s1p«size»v0s0b24703T	'ABCDEFgabcdefg0123456789&!.,'
68	New Century Schoolbook Bold «Esc»(Symbol set«Esc»(s1p«size»v0s3b24703T	'ABCDEFgabcdefg0123456789&!.,'
69	New Century Schoolbook Italic «Esc»(Symbol set«Esc»(s1p«size»v1s0b24703T	'ABCDEFgabcdefg0123456789&!.,'
70	New Century Schoolbook Bold Ital «Esc»(Symbol set«Esc»(s1p«size»v1s3b24703T	'ABCDEFgabcdefg0123456789&!.,'
71	Times Roman «Esc»(Symbol set«Esc»(s1p«size»v0s0b25093T	'ABCDEFgabcdefg0123456789&!.,'
72	Times Roman Bold «Esc»(Symbol set«Esc»(s1p«size»v0s3b25093T	'ABCDEFgabcdefg0123456789&!.,'

Polices résidentes

Position	Nom de la police	Échantillon d'impression
73	Times Roman Italic «Esc»(Symbol set«Esc»(s1p«size»v1s0b25093T	'ABCDEFgabcdefg0123456789&?!.,'
74	Times Bold Italic «Esc»(Symbol set«Esc»(s1p«size»v1s3b25093T	'ABCDEFgabcdefg0123456789&?!.,'
75	Zapf Chancery Medium Italic «Esc»(Symbol set«Esc»(s1p«size»v1s0b45099T	'ABCDEFgabcdefg0123456789&?!.,'
76	Symbol «Esc»(19M«Esc»(s1p«size»v0s0b16686T	<αβχδεφγηηθκλμνοπθ ρστυωξψζθς>
77	Symbol PS «Esc»(19M«Esc»(s1p«size»v0s0b45358T	<αβχδεφγηηθκλμνοπθ ρστυωξψζθς>
78	Wingdings «Esc»(579L«Esc»(s1p«size»v0s0b31402T	Ⓜ Ⓝ Ⓟ Ⓠ Ⓡ Ⓢ Ⓣ Ⓤ Ⓥ Ⓦ Ⓧ Ⓨ Ⓩ ⓐ ⓑ ⓓ ⓔ ⓕ ⓖ ⓗ ⓘ ⓙ ⓚ ⓛ ⓜ ⓝ ⓞ ⓟ ⓠ ⓡ ⓢ ⓣ ⓤ ⓥ ⓦ ⓧ ⓨ ⓩ ⓪ ⓫ ⓬ ⓭ ⓮ ⓯ ⓰ ⓱ ⓲ ⓳ ⓴ ⓵ ⓶ ⓷ ⓸ ⓹ ⓺ ⓻ ⓼ ⓽ ⓾ ⓿
79	Zapf Dingbats «Esc»(14L«Esc»(s1p«size»v0s0b45101T	⬠ ⬡ ⬢ ⬣ ⬤ ⬥ ⬦ ⬧ ⬨ ⬩ ⬪ ⬫ ⬬ ⬭ ⬮ ⬯ ⬰ ⬱ ⬲ ⬳ ⬴ ⬵ ⬶ ⬷ ⬸ ⬹ ⬺ ⬻ ⬼ ⬽ ⬾ ⬿
80	Courier Bold «Esc»(Symbol set«Esc»(s0p«pitch»h0s3b4099T	'ABCDEFgabcdefg0123456789&?!.,'
81	Courier Italic «Esc»(Symbol set«Esc»(s0p«pitch»h1s0b4099T	'ABCDEFgabcdefg0123456789&?!.,'
82	Courier Bold Italic «Esc»(Symbol set«Esc»(s0p«pitch»h1s3b4099T	'ABCDEFgabcdefg0123456789&?!.,'
83	Letter Gothic «Esc»(Symbol set«Esc»(s0p«pitch»h0s0b4102T	'ABCDEFgabcdefg0123456789&?!.,'
84	Letter Gothic Bold «Esc»(Symbol set«Esc»(s0p«pitch»h0s3b4102T	'ABCDEFgabcdefg0123456789&?!.,'
85	Letter Gothic Italic «Esc»(Symbol set«Esc»(s0p«pitch»h1s0b4102T	'ABCDEFgabcdefg0123456789&?!.,'
86	Naskh «Esc»(Symbol set«Esc»(s0p«pitch»h0s0b4124T	ABCDEFgabcdefg0123456789&?!.,'
87	Naskh Bold «Esc»(Symbol set«Esc»(s0p«pitch»h0s3b4124T	ABCDEFgabcdefg0123456789&?!.,'
88	Koufi «Esc»(Symbol set«Esc»(s0p«pitch»h0s0b4264T	ABCDEFgabcdefg0123456789&?!.,'
89	Koufi Bold «Esc»(Symbol set«Esc»(s0p«pitch»h0s3b4264T	ABCDEFgabcdefg0123456789&?!.,'
90	Courier PS «Esc»(Symbol set«Esc»(s0p«pitch»h0s0b24579T	'ABCDEFgabcdefg0123456789&?!.,'

## Polices résidentes

Position	Nom de la police	Échantillon d'impression
91	Courier PS Bold «Esc»(Symbol set«Esc»(s0p«pitch»h0s3b24579T	' <b>ABCDEFGGabcdefg0123456789&amp;?!.,'</b>
92	Courier PS Oblique «Esc»(Symbol set«Esc»(s0p«pitch»h1s0b24579T	' <i>ABCDEFGGabcdefg0123456789&amp;?!.,'</i>
93	Courier PS Bold Oblique «Esc»(Symbol set«Esc»(s0p«pitch»h1s3b24579T	' <b><i>ABCDEFGGabcdefg0123456789&amp;?!.,'</i></b>
94	Line Printer «Esc»(8U«Esc»(s0p16.67h8.48v0s0b0T	'ABCDEFGGabcdefg0123456789&?!.,'

# Liste des polices PostScript

## Polices résidentes:

AlbertusMT	ABCDEF abcdefg 0123456789 &?!\$,%
AlbertusMT-Italic	ABCDEF abcdefg 0123456789 &?!\$,%
AlbertusMT-Light	ABCDEF abcdefg 0123456789 &?!\$,%
AntiqueOlive-Bold	ABCDEF abcdefg 0123456789 &?!\$,%
AntiqueOlive-Compact	<b>ABCDEF abcdefg 0123456789 &amp;?!\$,%</b>
AntiqueOlive-Italic	ABCDEF abcdefg 0123456789 &?!\$,%
AntiqueOlive-Roman	ABCDEF abcdefg 0123456789 &?!\$,%
Apple-Chancery	ABCDEF abcdefg 0123456789 &?!\$,%
Arial-BoldItalicMT	ABCDEF abcdefg 0123456789 &?!\$,%
Arial-BoldMT	ABCDEF abcdefg 0123456789 &?!\$,%
Arial-ItalicMT	ABCDEF abcdefg 0123456789 &?!\$,%
ArialMT	ABCDEF abcdefg 0123456789 &?!\$,%
AvantGarde-Book	ABCDEF abcdefg 0123456789 &?!\$,%
AvantGarde-BookOblique	ABCDEF abcdefg 0123456789 &?!\$,%
AvantGarde-Demi	ABCDEF abcdefg 0123456789 &?!\$,%
AvantGarde-DemiOblique	ABCDEF abcdefg 0123456789 &?!\$,%
Bodoni	ABCDEF abcdefg 0123456789 &?!\$,%
Bodoni-Bold	ABCDEF abcdefg 0123456789 &?!\$,%
Bodoni-BoldItalic	ABCDEF abcdefg 0123456789 &?!\$,%
Bodoni-Italic	ABCDEF abcdefg 0123456789 &?!\$,%
Bodoni-Poster	<b>ABCDEF abcdefg 0123456789 &amp;?!\$,%</b>
Bodoni-PosterCompressed	ABCDEF abcdefg 0123456789 &?!\$,%
Bookman-Demi	ABCDEF abcdefg 0123456789 &?!\$,%
Bookman-DemiItalic	ABCDEF abcdefg 0123456789 &?!\$,%
Bookman-Light	ABCDEF abcdefg 0123456789 &?!\$,%
Bookman-LightItalic	ABCDEF abcdefg 0123456789 &?!\$,%
Carta	*!@#▲☆■& 0123456789 *!@#
Chicago	ABCDEF abcdefg 0123456789 &?!\$,%
Clarendon	ABCDEF abcdefg 0123456789 &?!\$,%
Clarendon-Bold	ABCDEF abcdefg 0123456789 &?!\$,%
Clarendon-Light	ABCDEF abcdefg 0123456789 &?!\$,%
CooperBlack	<b>ABCDEF abcdefg 0123456789 &amp;?!\$,%</b>
CooperBlack-Italic	<b>ABCDEF abcdefg 0123456789 &amp;?!\$,%</b>
Copperplate-ThirtyThreeBC	ABCDEF ABCDEF 0123456789 &?!\$,%
Copperplate-ThirtyTwoBC	ABCDEF ABCDEF 0123456789 &?!\$,%
Coronet-Regular	ABCDEF abcdefg 0123456789 &?!\$,%
Courier	ABCDEF abcdefg 0123456789 &?!\$,%
Courier-Bold	ABCDEF abcdefg 0123456789 &?!\$,%
Courier-BoldOblique	ABCDEF abcdefg 0123456789 &?!\$,%
Courier-Oblique	ABCDEF abcdefg 0123456789 &?!\$,%
Eurostile	ABCDEF abcdefg 0123456789 &?!\$,%
Eurostile-Bold	<b>ABCDEF abcdefg 0123456789 &amp;?!\$,%</b>
Eurostile-BoldExtendedTwo	<b>ABCDEF abcdefg 0123456789 &amp;?!\$,%</b>
Eurostile-ExtendedTwo	ABCDEF abcdefg 0123456789 &?!\$,%
Geneva	ABCDEF abcdefg 0123456789 &?!\$,%
GillSans	ABCDEF abcdefg 0123456789 &?!\$,%
GillSans-Bold	ABCDEF abcdefg 0123456789 &?!\$,%
GillSans-BoldCondensed	ABCDEF abcdefg 0123456789 &?!\$,%
GillSans-BoldItalic	ABCDEF abcdefg 0123456789 &?!\$,%
GillSans-Condensed	ABCDEF abcdefg 0123456789 &?!\$,%
GillSans-ExtraBold	<b>ABCDEF abcdefg 0123456789 &amp;?!\$,%</b>
GillSans-Italic	ABCDEF abcdefg 0123456789 &?!\$,%
GillSans-Light	ABCDEF abcdefg 0123456789 &?!\$,%
GillSans-LightItalic	ABCDEF abcdefg 0123456789 &?!\$,%
Goudy	ABCDEF abcdefg 0123456789 &?!\$,%
Goudy-Bold	ABCDEF abcdefg 0123456789 &?!\$,%
Goudy-BoldItalic	ABCDEF abcdefg 0123456789 &?!\$,%
Goudy-ExtraBold	ABCDEF abcdefg 0123456789 &?!\$,%
Goudy-Italic	ABCDEF abcdefg 0123456789 &?!\$,%
GreekMono737	ABCDEF abcdefg 0123456789 &?!\$,%
GreekMono737-Bold	ABCDEF abcdefg 0123456789 &?!\$,%
GreekMono737-BoldItalic	ABCDEF abcdefg 0123456789 &?!\$,%
GreekMono737-Italic	ABCDEF abcdefg 0123456789 &?!\$,%
GreekMono851	ABCDEF abcdefg 0123456789 &?!\$,%
GreekMono851-Bold	ABCDEF abcdefg 0123456789 &?!\$,%
GreekMono851-BoldItalic	ABCDEF abcdefg 0123456789 &?!\$,%
GreekMono851-Italic	ABCDEF abcdefg 0123456789 &?!\$,%
GreekMono8859-7	ABCDEF abcdefg 0123456789 &?!\$,%
GreekMono8859-7Bold	ABCDEF abcdefg 0123456789 &?!\$,%

# Liste des polices PostScript

## Polices résidentes (suite):

GreekMono8859-7BoldItalic	<b>ABCDEF G abcdefg 0123456789 &amp;?!\$.,</b>
GreekMono8859-7Italic	<i>ABCDEF G abcdefg 0123456789 &amp;?!\$.,</i>
GreekSans737	ABCDEF G abcdefg 0123456789 &?!\$.,
GreekSans737-Bold	<b>ABCDEF G abcdefg 0123456789 &amp;?!\$.,</b>
GreekSans737-BoldItalic	<b><i>ABCDEF G abcdefg 0123456789 &amp;?!\$.,</i></b>
GreekSans737-Italic	<i>ABCDEF G abcdefg 0123456789 &amp;?!\$.,</i>
GreekSans851	ABCDEF G abcdefg 0123456789 &?!\$.,
GreekSans851-Bold	<b>ABCDEF G abcdefg 0123456789 &amp;?!\$.,</b>
GreekSans851-BoldItalic	<b><i>ABCDEF G abcdefg 0123456789 &amp;?!\$.,</i></b>
GreekSans851-Italic	<i>ABCDEF G abcdefg 0123456789 &amp;?!\$.,</i>
GreekSans8859-7	ABCDEF G abcdefg 0123456789 &?!\$.,
GreekSans8859-7Bold	<b>ABCDEF G abcdefg 0123456789 &amp;?!\$.,</b>
GreekSans8859-7BoldItalic	<b><i>ABCDEF G abcdefg 0123456789 &amp;?!\$.,</i></b>
GreekSans8859-7Italic	<i>ABCDEF G abcdefg 0123456789 &amp;?!\$.,</i>
GreekSerif737	ABCDEF G abcdefg 0123456789 &?!\$.,
GreekSerif737-Bold	<b>ABCDEF G abcdefg 0123456789 &amp;?!\$.,</b>
GreekSerif737-BoldItalic	<b><i>ABCDEF G abcdefg 0123456789 &amp;?!\$.,</i></b>
GreekSerif737-Italic	<i>ABCDEF G abcdefg 0123456789 &amp;?!\$.,</i>
GreekSerif851	ABCDEF G abcdefg 0123456789 &?!\$.,
GreekSerif851-Bold	<b>ABCDEF G abcdefg 0123456789 &amp;?!\$.,</b>
GreekSerif851-BoldItalic	<b><i>ABCDEF G abcdefg 0123456789 &amp;?!\$.,</i></b>
GreekSerif851-Italic	<i>ABCDEF G abcdefg 0123456789 &amp;?!\$.,</i>
GreekSerif8859-7	ABCDEF G abcdefg 0123456789 &?!\$.,
GreekSerif8859-7Bold	<b>ABCDEF G abcdefg 0123456789 &amp;?!\$.,</b>
GreekSerif8859-7BoldItalic	<b><i>ABCDEF G abcdefg 0123456789 &amp;?!\$.,</i></b>
GreekSerif8859-7Italic	<i>ABCDEF G abcdefg 0123456789 &amp;?!\$.,</i>
Helvetica	ABCDEF G abcdefg 0123456789 &?!\$.,€
Helvetica-Bold	<b>ABCDEF G abcdefg 0123456789 &amp;?!\$.,€</b>
Helvetica-BoldOblique	<b><i>ABCDEF G abcdefg 0123456789 &amp;?!\$.,€</i></b>
Helvetica-Condensed	ABCDEF G abcdefg 0123456789 &?!\$.,€
Helvetica-Condensed-Bold	<b>ABCDEF G abcdefg 0123456789 &amp;?!\$.,€</b>
Helvetica-Condensed-BoldOblique	<b><i>ABCDEF G abcdefg 0123456789 &amp;?!\$.,€</i></b>
Helvetica-Condensed-Oblique	<i>ABCDEF G abcdefg 0123456789 &amp;?!\$.,€</i>
Helvetica-Narrow	ABCDEF G abcdefg 0123456789 &?!\$.,€
Helvetica-Narrow-Bold	<b>ABCDEF G abcdefg 0123456789 &amp;?!\$.,€</b>
Helvetica-Narrow-BoldOblique	<b><i>ABCDEF G abcdefg 0123456789 &amp;?!\$.,€</i></b>
Helvetica-Narrow-Oblique	<i>ABCDEF G abcdefg 0123456789 &amp;?!\$.,€</i>
Helvetica-Oblique	<i>ABCDEF G abcdefg 0123456789 &amp;?!\$.,€</i>
HoeflerText-Black	<b>ABCDEF G abcdefg 0123456789 &amp;?!\$.,€</b>
HoeflerText-BlackItalic	<b><i>ABCDEF G abcdefg 0123456789 &amp;?!\$.,€</i></b>
HoeflerText-Italic	<i>ABCDEF G abcdefg 0123456789 &amp;?!\$.,€</i>
HoeflerText-Ornaments	<i>ABCDEF G abcdefg 0123456789 &amp;?!\$.,€</i>
HoeflerText-Regular	ABCDEF G abcdefg 0123456789 &?!\$.,€
JoannaMT	ABCDEF G abcdefg 0123456789 &?!\$.,€
JoannaMT-Bold	<b>ABCDEF G abcdefg 0123456789 &amp;?!\$.,€</b>
JoannaMT-BoldItalic	<b><i>ABCDEF G abcdefg 0123456789 &amp;?!\$.,€</i></b>
JoannaMT-Italic	<i>ABCDEF G abcdefg 0123456789 &amp;?!\$.,€</i>
LetterGothic	ABCDEF G abcdefg 0123456789 &?!\$.,€
LetterGothic-Bold	<b>ABCDEF G abcdefg 0123456789 &amp;?!\$.,€</b>
LetterGothic-BoldSlanted	<b><i>ABCDEF G abcdefg 0123456789 &amp;?!\$.,€</i></b>
LetterGothic-Slanted	<i>ABCDEF G abcdefg 0123456789 &amp;?!\$.,€</i>
LubalinGraph-Book	ABCDEF G abcdefg 0123456789 &?!\$.,€
LubalinGraph-BookOblique	<i>ABCDEF G abcdefg 0123456789 &amp;?!\$.,€</i>
LubalinGraph-Demi	<b>ABCDEF G abcdefg 0123456789 &amp;?!\$.,€</b>
LubalinGraph-DemiOblique	<b><i>ABCDEF G abcdefg 0123456789 &amp;?!\$.,€</i></b>
Marigold	ABCDEF G abcdefg 0123456789 &?!\$.,€
Monalisa-Recut	ABCDEF G abcdefg 0123456789 &?!\$.,€
Monaco	ABCDEF G abcdefg 0123456789 &?!\$.,€
NewCenturySchlbk-Bold	<b>ABCDEF G abcdefg 0123456789 &amp;?!\$.,€</b>
NewCenturySchlbk-BoldItalic	<b><i>ABCDEF G abcdefg 0123456789 &amp;?!\$.,€</i></b>
NewCenturySchlbk-Italic	<i>ABCDEF G abcdefg 0123456789 &amp;?!\$.,€</i>
NewCenturySchlbk-Roman	ABCDEF G abcdefg 0123456789 &?!\$.,€
NewYork	ABCDEF G abcdefg 0123456789 &?!\$.,€
Optima	ABCDEF G abcdefg 0123456789 &?!\$.,€
Optima-Bold	<b>ABCDEF G abcdefg 0123456789 &amp;?!\$.,€</b>
Optima-BoldItalic	<b><i>ABCDEF G abcdefg 0123456789 &amp;?!\$.,€</i></b>
Optima-Italic	<i>ABCDEF G abcdefg 0123456789 &amp;?!\$.,€</i>
Oxford	ABCDEF G abcdefg 0123456789 &?!\$.,€
Palatino-Bold	<b>ABCDEF G abcdefg 0123456789 &amp;?!\$.,€</b>



## Übliche Benutzerdaten

Gerätename:	Xerox AltaLink B8255 MFP (A2:6E:B8)
IP-Adresse:	10.61.16.41
Geräteserienummer:	ZQV624005
Faxleitung 1:	
Geräte-URL:	https://10.61.16.41
Datum der Geräteaktivierung:	Feb 28, 2025 12:23:30
Druckseiten, gesamt:	4218

## Geräteprofil

Kennzeichen (Xerox)	
Kennzeichen (eigenes)	
Kundendienst-Telefonnr.:	
Telefonnummer für Kundendienst:	
Telefonnummer für Verbrauchsmaterial:	
Systemadministrator:	Nicht eingestellt
Gerätestandort:	Gerätestandort nicht eingestellt
<b>Verwaltet von</b>	
Primärer MB-Server:	10.15.46.133:80

## Geräte-Hardware

Fax-Karte:	Nicht vorhanden
Fax-Speichergöße:	0 MB
Externe Schnittstelle:	nicht vorhanden
Größe des Geräte-Arbeitsspeichers (R...):	4096 MB
Größe des Gerätespeichers:	benutzt=3282MB/gesamt+256060MB (SSD)
EPC-Speichergöße:	900 MB
Finisher-Typ:	Versatzausgabefach
Locher des Finishers	Kein(e)
Falzmodul:	nicht vorhanden
Kit für Erkennung von Mehrfacheinzügen:	Nicht installiert

## Allgemeine Einrichtung

Fernservice:	Aktiviert
Remote-Software-Download:	Aktiviert
Uhrzeit für Fernservice-Übertragung:	15:45
Xerox Workplace Cloud	Aktiviert
E-Mail-Warnungen:	Deaktiviert
Wartungsplan:	Plan aktiviert
Gebührenzählermodus:	A3-Drucke
Geografische Region	Unbekannt
Versatz zu Weltzeit (GMT):	+05:30
Klonen der Installation	Zulässig (nur verschlüsselte Dateien)
Dateifreigabe	Aktiviert
JBIG2	Verlustfrei

## Energiesparbetrieb

Ruhezustand:	Deaktiviert
Energiesparbetrieb:	Auftragsgesteuert

## Intelligenter Näherungssensor

Reaktivierung bei Ankunft:	Aktiviert
Ruhezustand bei Verlassen:	Deaktiviert

## Softwareversionen

Gerätesoftware:	122.041.005.08500
Patch-Version:	Kein(e)
Netzwerkcontroller:	122.041.08500
Steuerpult-Firmware:	003.005.00000
Druckeinheit:	072.001.000
Vorlageneinzug:	023.026.000
Finisher:	000.000.000
Fax:	000.000.000
Scanner	017.024.014
<b>Geräteaktualisierungen:</b>	Zugelassen
Letzte erfolgreiche Aktualisierung:	März 28, 2025 17:42:58

## Materialbehälter

Behälter 1:	Normal, Weiß and US-Letter (8,5 x 11...)
Behälter 2:	Normal, Weiß and A4 (210 x 297 mm)
Behälter 3:	Normal, Weiß and US-Letter (8,5 x 11...)
Behälter 4:	Normal, Weiß and US-Letter (8,5 x 11...)
Zusatzzufuhr:	Normal, Weiß and x=483mm, y=320mm

## Installierte Optionen

PS:	Installiert
-----	-------------

## Netzanschluss

## Mobile Workflows

AirPrint-Druck:	Aktiviert
Mopria-Druck:	Aktiviert
AirPrint-/Mopria-Scanbetrieb	Aktiviert
Authentifizierung erforderlich:	Deaktiviert

## Verbindungen

<b>USB-Einstellungen</b>	
USB-Anschlüsse, Typ A	Alle aktiviert
USB-Anschlüsse, Typ B	Aktiviert
<b>Kabelverbindung:</b>	
Ethernet-MAC-Adresse:	9c:93:4e:a2:6e:b8
Ethernet-Geschwindigkeit/Duplexeinst...	automatisch
<b>Wireless:</b>	
WLAN-MAC-Adresse:	Deaktiviert
Netzwerkname (SSID):	
BSSID:	
Sicherheitsmodus:	
Verschlüsselungsalgorithmus:	
Status:	
<b>Wi-Fi Direct:</b>	Aktiviert
Wireless-Hardware:	Nicht installiert
Wi-Fi Protected Setup™ (WPS)-Name:	
Zugriffspunkt (SSID):	
Kennwort am Gerätetouchscreen anzeigen:	
<b>NFC:</b>	Aktiviert
iBeacon (Bluetooth®) zur AirPrint-Erken...	Aktiviert
iBeacon-Hardware:	Nicht installiert
Bluetooth-Geräteadresse:	
iBeacon-IP-Adresse:	

## Protokolle

<b>TCP/IPv4:</b>	Aktiviert
IP-Adresse:	10.61.16.41
Subnet Mask:	255.255.255.0
Router/Gateway:	10.61.16.1
Automatische Adressierung:	STATIC
DHCP-Server:	0.0.0.0
Ende der DHCP-Leasefrist:	
BOOTP-Broadcast:	Deaktiviert
Selbstzugewiesene Adressenzustand:	Aktiviert
Selbstzugewiesene Adresse:	

## TCP/IPv6:

Linklokale Adresse:	
Von Router geliefertes Präfix verwen...	Aktiviert
Zustandslose globale Adresse 1:	::
Zustandslose globale Adresse 2:	::
Manuelle Adresse:	
DHCP-Adressierung:	DHCP laut Routeranweisung verwenden
DHCP-Adresse:	
Standard-Gateway:	
DUID (DHCP Unique Identifier):	

## DNS-Einstellungen:

Angeforderter Hostname:	XR9C934EA26E8B
Überprüfter Hostname:	
Angeforderter Domänenname:	
Überprüfter Domänenname:	
Multicast-DNS:	Aktiviert
DHCP-Leases und DNS-Registrierungen fr...	Deaktiviert
Primärer DNS-Server:	::
IPv6 DNS vorrangig vor IPv4:	Aktiviert

## Bonjour:

Bonjour-Druckername:	Xerox AltaLink B8255 MFP (A2:6E:B8)
<b>HTTP:</b>	Aktiviert
Datenverkehr zwangsweise über sichere V...	Ja
IPP	Aktiviert

## SNMP

SNMP v1/v2:	Aktiviert
SNMP v3:	Deaktiviert

## LPR/LPD:

<b>Raw IP-Druck:</b>	Aktiviert
----------------------	-----------

## LDAP

LDAP-Server 1 - primäre LDAP-Adresse:	0.0.0.0:389
LDAP-Server 1 - Suchstammverzeichnis:	
LDAP-Server 1 - sichere Verbindung (LD...):	Deaktiviert
LDAP-Server 1 - Serverzertifikat überprüf...	Deaktiviert

## SMTP

SMTP-Server:	0.0.0.0:25
Verbindungsverschlüsselung (TLS):	Keine Verschlüsselung
Serverzertifikat überprüfen(TLS):	
SMTP-Authentifizierungsart:	Basic Auth mit SMTP

**Protokolle (Forts.)**

<b>POP3</b>	
POP3-Server:	0.0.0.0:110
Sichere POP3-Verbindung (TLS):	Deaktiviert
POP3-Serverzertifikat überprüfen:	
E-Mail-Adresse:	
<b>NTP:</b>	Deaktiviert
FTP-Client:	Aktiviert
FTP-Client-Modus:	Passiv
WSD (Web Services on Device):	Aktiviert

**Apps****In Druckausgabe**

Begleitblatt:	Deaktiviert
Fehlerblätter:	Aktiviert
Materiellersatz:	Aktiviert
Behälterpriorität:	1,2,3,4,5
PostScript	Installiert
Version:	3
Version:	3021.101
<b>PCL</b>	
Version:	6
Schriftortname:	Courier
Benutzerdefinierte Farbtabelle	Aktiviert
Label:	Nicht installiert
<b>Fax:</b>	Nicht vorhanden

Faxleitung 1:

Faxleitung 2:

**Server-Fax:**

Ablagebereich-Protokoll:	Aktiviert
Ablagebereich-Server:	SMB
Pfad für Ablagebereich:	10.61.23.93:445
	/

**Workflow-Scannen:**

Aktiviert

**E-Mail:**

Aktiviert

**Scan-Ausgabe - Mailbox:**

Speicherkapazität (MB):	Aktiviert
Belegte Speicherkapazität (MB):	46924 MB
Bereinigung öffentlicher Ordner:	2459 MB
Bereinigung erstellter Ordner:	Aktiviert
Bereinigungszeit:	Aktiviert
	Täglich

**Scan-Ausgabe - Home:**

Deaktiviert

**Scanausgabe:**

Aktiviert

Clouddienste

Deaktiviert

**Drucken von:**

Aktiviert

Gespeicherte Aufträge für Nachdruck:

Aktiviert

USB-Direktdruck:

Aktiviert

Druck aus Mailbox:

Deaktiviert

Clouddienste

Deaktiviert

**Kostenzahlung**

Kostenzahlungsmodus:

Kein(e)

Netzwerkostenzahlung:

Deaktiviert

**Sicherheit****Authentifizierungskonfiguration**

Authentifizier., Gerätedisplay:

Am Gerät

Startseite:

Entsperrt

Aufträge:

Entsperrt

Gerät:

Entsperrt

Gerätewebsauthentifizierung:

Am Gerät

Autorisierung:

Am Gerät

E-Mail von LDAP automatisch abrufen:

Aktiviert

**Authentifizierungsserver:**

Kerberos

**Xerox Secure Access:**

Deaktiviert

**Prüfprotokoll:**

Aktiviert

**IP-Sec:**

Deaktiviert

**IP-Filterung:**

Deaktiviert

**Sicherheitszertifikate**

Gerätezertifikat:

Signiert

Stammzertifikat installiert:

56

**802.1x:**

Deaktiviert

**Auftragsdatenlöschung:**

Deaktiviert

Planmäßig:

Deaktiviert

**FIPS 140-3**

Deaktiviert

**TLS:**

TLS 1.2 und TLS 1.3

SHA-1, SHA-256 und höher

**Trellix Embedded Control:**

Erweiterte Sicherheit

## Übliche Benutzerdaten

Gerätename:	Xerox AltaLink B8255 MFP (A2:6E:B8)
IP-Adresse:	10.61.16.41
Geräteserienummer:	ZQV624005
Faxleitung 1:	
Geräte-URL:	https://10.61.16.41
Datum der Geräteaktivierung:	Feb 28, 2025 12:23:30
Druckseiten, gesamt:	4218

## Geräteprofil

Kennzeichen (Xerox)	
Kennzeichen (eigenes)	
Kundendienst-Telefonnr.:	
Telefonnummer für Kundendienst:	
Telefonnummer für Verbrauchsmaterial:	
Systemadministrator:	Nicht eingestellt
Gerätestandort:	Gerätestandort nicht eingestellt
Verwaltet von	
Primärer MB-Server:	10.15.46.133:80

## Geräte-Hardware

Fax-Karte:	Nicht vorhanden
Fax-Speichergöße:	0 MB
Externe Schnittstelle:	nicht vorhanden
Größe des Geräte-Arbeitsspeichers (R...)	4096 MB
Größe des Gerätespeichers:	benutzt=3282MB/gesamt=256060MB (SSD)
EPC-Speichergöße:	900 MB
Finisher-Typ:	Versatzausgabefach
Locher des Finishers	Kein(e)
Falzmodul:	nicht vorhanden
Kit für Erkennung von Mehrfacheinzügen:	Nicht installiert

## Allgemeine Einrichtung

Fernservice:	Aktiviert
Remote-Software-Download:	Aktiviert
Uhrzeit für Fernservice-Übertragung:	15:45
Xerox Workplace Cloud	Aktiviert
E-Mail-Warnungen:	Deaktiviert
Wartungsplan:	Plan aktiviert
Gebührenzählermodus:	A3-Drucke
Geografische Region	Unbekannt
Startkonfigurationsbericht:	Aktiviert
Versatz zu Weltzeit (GMT):	+05:30
Klonen der Installation	Zulässig (nur verschlüsselte Dateien)
Druckübermittlung von Klondateien zu...	Aktiviert
Dateifreigabe	Aktiviert
JBIG2	Verlustfrei
Energiesparbetrieb	
Ruhezustand:	Deaktiviert
Energiesparbetrieb:	Auftragsgesteuert
Ruhezustand-Timer:	0 Minuten
Automatisch Aus:	Deaktiviert
Intelligenter Näherungssensor	
Reaktivierung bei Ankunft:	Aktiviert
Ruhezustand bei Verlassen:	Deaktiviert
Max. Erkennungsreichweite:	Deaktiviert

## Softwareversionen

Gerätesoftware:	122.041.005.08500
Patch-Version:	Kein(e)
Netzwerkcontroller:	122.041.08500
Steuerpult-Firmware:	003.005.00000
Benutzeroberfläche:	122.041.08500
Druckeinheit:	072.001.0000
Kopiercontroller:	122.041.08500
Vorlageneinzug:	023.026.0000
Finisher:	000.000.0000
Fax:	000.000.0000
Betriebssystem:	122.005.08410
Scanner	017.024.014
Softwareaktualisierung:	122.041.08500
Behälter 2:	
Behälter 3:	
Behälter 4:	
Geräteaktualisierungen:	
Letzte erfolgreiche Aktualisierung:	Zugelassen
Planmäßige autom. Aktualisierungen:	März 28, 2025 17:42:58
Startzeit der automatischen Aktualis...	Deaktiviert
Server für automatische Aktualisierung:	Täglich
	0.0.0.21

## Materialbehälter

Behälter 1:	Normal, Weiß and US-Letter (8,5 x 11 ...)
Behälter 2:	Normal, Weiß and A4 (210 x 297 mm)
Behälter 3:	Normal, Weiß and US-Letter (8,5 x 11 ...)
Behälter 4:	Normal, Weiß and US-Letter (8,5 x 11 ...)
Zusatzzufuhr:	Normal, Weiß and x=483mm, y=320mm

## Netzanschluss

## Mobile Workflows

AirPrint-Druck:	Aktiviert
Mopria-Druck:	Aktiviert
AirPrint-/Mopria-Scanbetrieb	Aktiviert
Authentifizierung erforderlich:	Deaktiviert
Universal Print:	Deaktiviert
Universal Print-Registrierungsstatus:	Nicht registriert

## Verbindungen

USB-Einstellungen	
USB-Anschlüsse, Typ A	Alle aktiviert
USB-Anschluss, Typ B	Aktiviert
Kabelverbindung:	Aktiviert
Ethernet-MAC-Adresse:	9c:93:4e:a2:6e:b8
Ethernet-Geschwindigkeit/Duplexeinst...	automatisch
Wireless:	Deaktiviert
WLAN-MAC-Adresse:	
Netzwerkname (SSID):	
BSSID:	
Sicherheitsmodus:	
Verschlüsselungsalgorithmus:	
Status:	
Wi-Fi Direct:	Aktiviert
Wireless-Hardware:	Nicht installiert
Wi-Fi Protected Setup™ (WPS)-Name:	
Verbindungsmethode:	
Subnetz-Adresspräfix:	
Zugriffspunkt (SSID):	
Kennwort am Gerätetouchscreen anzeigen:	
NFC:	
iBeacon (Bluetooth®) zur AirPrint-Erken...	Aktiviert
iBeacon-Hardware:	Nicht installiert
Bluetooth-Geräteadresse:	
iBeacon-IP-Adresse:	

## Protokolle

TCP/IPV4:	Aktiviert
IP-Adresse:	10.61.16.41
Subnet Mask:	255.255.255.0
Router/Gateway:	10.61.16.1
Automatische Adressierung:	STATIC
DHCP-Server:	0.0.0.0
Ende der DHCP-Leasefrist:	
BOOTP-Broadcast:	Deaktiviert
Selbstzugewiesener Adressenzustand:	Aktiviert
Selbstzugewiesene Adresse:	
TCP/IPV6:	Deaktiviert
Linklokale Adresse:	
Von Router geliefertes Präfix verwen...	Aktiviert
Zustandslose globale Adresse 1:	::
Zustandslose globale Adresse 2:	::
Manuelle Adresse:	
DHCP-Adressierung:	DHCP laut Routeranweisung verwenden
DHCP-Adresse:	
Standard-Gateway:	
DUID (DHCP Unique Identifier):	
DNS-Einstellungen:	
Angeforderter Hostname:	XR9C934EA26EB8
Überprüfter Hostname:	
Angeforderter Domänenname:	
Überprüfter Domänenname:	
Multicast-DNS:	Aktiviert
DHCP-Leases und DNS-Registrierungen fr...	Deaktiviert
Primärer DNS-Server:	::
Alternativer DNS Server 1:	::
Alternativer DNS Server 2:	::
DNS-Verbindungstimeout:	5
Geräte Domäne hinzufügen:	Aktiviert
Übergeordnete Domänen hinzufügen:	Deaktiviert
DNS-Domänensuchliste:	
IPv6 DNS vorrangig vor IPv4:	Aktiviert

## Installierte Optionen

PS:	Installiert
-----	-------------

**Protokolle (Forts.)**

<b>Bonjour:</b>	
Bonjour-Druckername:	Xerox AltaLink B8255 MFP (A2:6E:B8)
<b>HTTP:</b>	
Anschlussnummer:	Aktiviert
Datenverkehr zwangsweise über sichere V...:	80
Sichere HTTP-Anschlussnummer:	Ja
Proxyserver:	443
Proxyserver-Adresse:	Manuell
IPP:	10.177.8.91:8080
Sicherer IPP-Modus:	Aktiviert
IPP-Netzwerkpfad:	IPP und sicheres IPPS
	http://10.61.16.41:631
<b>SNMP:</b>	
SNMP v1/v2:	Aktiviert
SNMP v3:	Deaktiviert
<b>LPR/LPD:</b>	
Anschlussnummer:	Aktiviert
PDL-Wechsel:	515
Überschreiben von PDL-Begleitblatt:	Deaktiviert
<b>Raw IP-Druck:</b>	
Anschlussnummer 1:	Deaktiviert
Bidirektional:	Aktiviert
Auftragsende-Timeout:	9100
PDL-Wechsel:	Deaktiviert
<b>LDAP:</b>	
LDAP-Server 1 - angezeigter Name:	
LDAP-Server 1 - primäre LDAP-Adresse:	0.0.0.0:389
LDAP-Server 1 - alternative LDAP-Adr...:	0.0.0.0:389
LDAP-Server 1 - Suchstammverzeichnis:	
LDAP-Server 1 - sichere Verbindung (LD...):	Deaktiviert
LDAP-Server 1 - Serverzertifikat überprüf...:	Deaktiviert
<b>SMTP:</b>	
SMTP-Server:	0.0.0.0:25
Verbindungsverschlüsselung (TLS):	Keine Verschlüsselung
Serverzertifikat überprüfen(TLS):	
Max. Meldungsumfang (KB):	10240
Anzahl der Fragmente:	1
Auftragsgesamtumfang (KB):	300000
Auftragstellungsgrenze:	Seite
Anmeldedaten für automatische E-Mail-Nac...:	Kein(e)
Anmeldedaten für Standardbenutzer:	Kein(e)
SMTP-Authentifizierungsart:	Basic Auth mit SMTP
<b>POP3:</b>	
POP3-Server:	0.0.0.0:110
Sichere POP3-Verbindung (TLS):	Deaktiviert
E-Mail-Adresse:	
POP3-Serverzertifikat überprüfen:	Deaktiviert
E-Mail-Empfang über POP3:	Aktiviert
Bei Anforderung Bestätigung senden:	Aktiviert
Deckblatt, eingehende E-Mail:	Deaktiviert
<b>NTP:</b>	
Primärer Server:	0.0.0.0:123
Alternativer Server:	0.0.0.0:123
<b>SLP:</b>	
FTP-Client:	Deaktiviert
FTP-Client-Modus:	Aktiviert
<b>WSD (Web Services on Device):</b>	
WS-Discovery:	Passiv
WS-Discovery Multicast:	Aktiviert
WS-Print:	Aktiviert
WS-Scan:	Aktiviert
<b>Web Services:</b>	
Kopienübermittlung:	Aktiviert
Verwaltung des digitalen Zertifikats und S...:	Aktiviert
Registrierung für Erweiterungsdienste:	Aktiviert
Auftragslimits:	Aktiviert
Erweiterte Auftragsverwaltung:	Aktiviert
Gerätekonfiguration:	Aktiviert
Scanübermittlung:	Aktiviert
Scanworkflowverwaltung:	Aktiviert
Sitzungsdaten:	Aktiviert
Konfiguration der Benutzeroberfläche:	Aktiviert
EIP Proxy-Konfiguration:	Aktiviert
Xerox Secure Access:	Deaktiviert
EIP SNMP-Konfiguration:	Aktiviert
Druckübermittlung:	Aktiviert
Scanprofilverw.:	Aktiviert
Massenspeicherzugriff:	Aktiviert
Kartenleserzugriff:	Aktiviert
Konfiguration der Authentifizierung und K...:	Aktiviert
Prüfprotokoll exportieren:	Aktiviert
Trellix Embedded Control:	Aktiviert

**Apps**

**In Druckausgabe**

Begleitblatt:	Deaktiviert
System-/Startauftrag:	Deaktiviert
Angehaltene Aufträge löschen nach:	3 Day(s) 0 Hour(s) 0 Minute(s)
Fehlerblätter:	Aktiviert
Materialersatz:	Aktiviert
Behälterpriorität:	1,2,3,4,5
Standardauflage:	1
Standardauflagezeit:	Proof-Druck
Standardformat:	x=210mm, y=297mm
Standardmaterialfarbe:	Weiß
2-seitiger Seitenaufdruck als Standard:	2-seitig
Standardausgabebefach:	Hauptausgabebefach
Standardausgabefarbe:	Schwarzweiß
Sortierte Sätze als Standard:	Aktiviert
Standardheftung:	Keine Heftung
Versatz zwischen Aufträgen erfolgt:	Versatz zwischen Aufträgen
PostScript:	Installiert
Version:	3
Version:	3021.101
Bildqualität:	Standard
<b>PCL:</b>	
Version:	6
Schrittweite:	10:00
Schriftgrad:	12:00
Schriftartname:	Courier
Zeilen pro Seite:	64
<b>Benutzerdefinierte Farbtabelle</b>	
Label:	Aktiviert
	Nicht installiert
	Nicht vorhanden
<b>Fax:</b>	
Faxleitung 1:	
Faxleitung 2:	
<b>Server-Fax:</b>	
Bestätigungsblatt:	Aktiviert
Start verzögern:	Nur bei Fehlern
Ablagebereich-Protokoll:	Deaktiviert
Ablagebereich-Server:	SMB
Pfad für Ablagebereich:	10.61.23.93:445
	/
<b>Workflow-Scannen:</b>	
Bestätigungsblatt:	Aktiviert
Standardablagebereichprotokoll:	Nur bei Fehlern
Standardablagebereichserver:	SMB
Pfad für Standardablagebereich:	0.0.0.0
Standardablagebereich-Anmeldedaten:	Gerät
Alt1-Ablagebereich - Protokoll:	SMB
Alt1-Ablagebereich - Server:	0.0.0.0
Alt1-Ablagebereich - Pfad:	
Alt1-Ablagebereich - Anmeldedaten:	Gerät
Workflowsammelprotokoll:	SMB
Workflowsammlungserver:	0.0.0.0
Workflowsammlungspfad:	
<b>E-Mail:</b>	
Standardabsenderadresse:	
Bestätigungsblatt:	Nur bei Fehlern
Automatisch an Eigenadresse senden:	Deaktiviert
E-Mail-sicherheit:	Deaktiviert
<b>Scan-Ausgabe - Mailbox:</b>	
Mailboxen standardmäßig anzeigen:	Aktiviert
Speicherkapazität (MB):	46924 MB
Belegte Speicherkapazität (MB):	2459 MB
Bereinigung öffentlicher Ordner:	Aktiviert
Bereinigung erstellter Ordner:	Aktiviert
Bereinigungszeit:	Täglich
<b>Scan-Ausgabe - Home:</b>	
Benutzerlesbarer Name:	Deaktiviert
Workflowname:	
Unterverzeichnis autom. erstellen:	Deaktiviert
Benutzernamen an Pfad anfügen:	Deaktiviert
Benutzernamensverz. autom. erstellen:	Deaktiviert
<b>Scanausgabe:</b>	
Clouddienste:	Aktiviert
<b>Drucken von:</b>	
Gespeicherte Aufträge für Nachdruck:	Aktiviert
USB-Direktdruck:	Aktiviert
Druck aus Mailbox:	Deaktiviert
Clouddienste:	Deaktiviert

**Kostenzählung**

Kostenzählungsmodus:	Kein(e)
Netzwerkkostenzählung:	Deaktiviert

**Sicherheit****Authentifizierungskonfiguration**

Authentifizier., Gerätedisplay:	Am Gerät
Startseite:	Entsperrt
Aufträge:	Entsperrt
Gerät:	Entsperrt
Gerätewebsiteauthentifizierung:	Am Gerät
Autorisierung:	Am Gerät
E-Mail von LDAP automatisch abrufen:	Aktiviert

**Authentifizierungsserver:**

Kerberos Primärer Bereich:	
Kerberos-Primäradresse:	0.0.0.0:88
Kerberos Alt. 1 Bereich:	
Kerberos Alt. 1 Adresse:	0.0.0.0:88
SMB NT-Domäne:	
SMB Alt. 1 NT-Domäne:	
Smartcard-Controllerserver:	0.0.0.0:443
Smartcard-Controllerdomäne:	
SmartCard-OCSP-URL:	
Upgrade-Richtlinie für Kartenlesegerät:	Aktiviert
Firmwareversion des Kartenlesegeräts:	

**Xerox Secure Access:**

Secure Access-Server:	Deaktiviert
Secure Access-Pfad:	0.0.0.0:443

**Prüfprotokoll:**

IP-Sec:	Aktiviert
IP-Filterung:	Deaktiviert

**Sicherheitszertifikate**

Gerätezertifikat:	Signiert
Stammzertifikat installiert:	56
802.1x:	Deaktiviert

**Auftragsdatenlöschung:**

Planmäßig:	Deaktiviert
Planmäßiges Intervall:	

**FIPS 140-3**

TLS:	Deaktiviert
TLS-Hash:	TLS 1.2 und TLS 1.3
Trellix Embedded Control:	SHA-1, SHA-256 und höher
	Erweiterte Sicherheit

**Erweiterungsdiensteinrichtung**

Browser der dritten Generation:	X3G_3.24.23_2.40.5_011_01.00.00
Widget-Version:	v1.3.17 c8 20140613
Widget-Version:	v2.5.04 g9 20240123

# Abrechnungsübersicht

## Systeminformationen

Gerätename:	Xerox AltaLink B8255 MFP (A2:6E:B8)	<b>Softwareversionen</b>	
Geräteseriennummer:	ZQV624005	Gerätesoftware:	122.041.005.08500
Druckseiten seit Einschalten:	89	Patch-Version:	Kein(e)
		Netzwerkcontroller:	122.041.08500
		Steuerpult-Firmware:	003.005.00000
		Bilderzeugungseinheit:	072.001.000
		Vorlageneinzug:	023.026.000
		Finisher:	000.000.000
		Fax:	000.000.000
		Scanner:	017.024.014

## Zähler

### Fax

Integriertes Fax, gesendete Bilder:	0
Integriertes Fax:	0

### Kopieren

Schwarzweißkopien, Seiten:	836
----------------------------	-----

### Drucken

Schwarzweißdrucke, Seiten:	3279
----------------------------	------

### Scannen

Scannen, gesendete Bilder:	361
Per E-Mail gesendete Seiten:	1

## Summen, Gerät

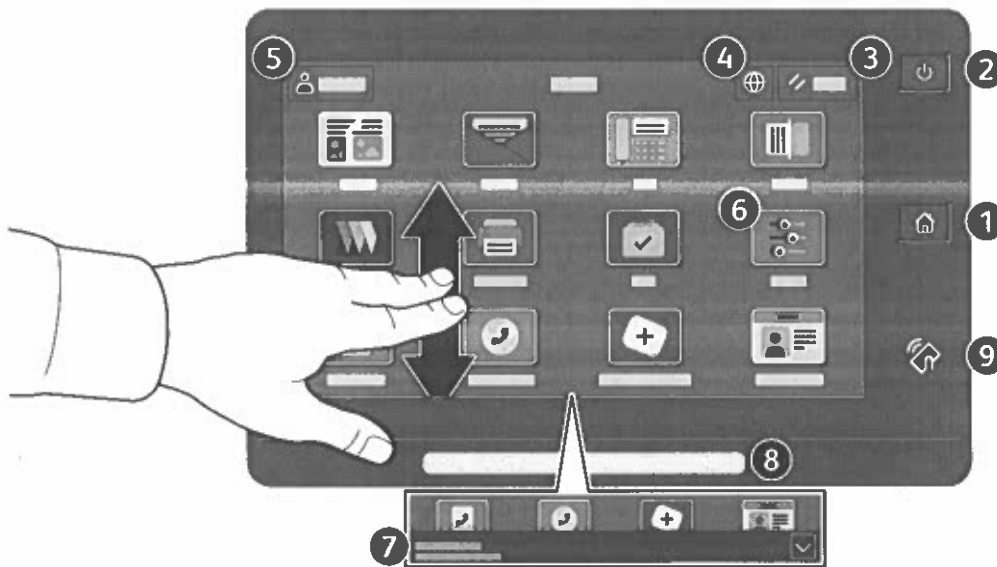
Gesamt:	4218
---------	------

Normalpapier:	421
Hochglanzpapier:	3
Hochglanzkarton:	4



## Steuerpult

Welche Apps verfügbar sind, hängt davon ab, wie der Drucker eingerichtet ist. Weitere Informationen über Apps und Funktionen siehe *Benutzerhandbuch*.



- 1 Startseite führt zurück zum App-Hauptfenster.
- 2 Einschalten/Aktivieren startet den Drucker oder bietet Optionen für Ruhezustand, Neustart oder Ausschalten des Druckers.
- 3 Zurücksetzen setzt die Einstellungen in allen Apps auf ihre Standardwerte zurück.
- 4 Sprache bietet eine Auswahl von Anzeigesprachen.
- 5 Anmelden dient zum Zugriff auf die Verwaltung und bestimmte Einstellungen.
- 6 Geräte-App dient zum Zugriff auf Druckerdaten und -einstellungen.
- 7 Benachrichtigungsbanner – zeigt den Druckerstatus und den Drucker betreffende Warnungen an. Damit alle Benachrichtigungen angezeigt werden, das Banner antippen. Um das Banner zu schließen, den Abwärtspfeil antippen.
- 8 Status-LED – gibt den Druckerstatus an. Ausführliche Informationen enthält das *Benutzerhandbuch*.
- 9 NFC-Bereich ermöglicht die Kopplung mit einem Mobilgerät zum Drucken/Scannen aus einer App.

## Geräte-App

Die Geräte-App bietet Zugriff auf Verbrauchsmaterialstatus, Druckerdaten und Einstellungen. Zum Zugriff auf bestimmte Menüs und Einstellungen ist eine Anmeldung als Administrator mit dem entsprechenden Kennwort erforderlich.



## Gebühren- und Nutzungsdaten

Um die wichtigsten Zählerstände aufzurufen, im Menü der Gerätefunktionen **Gebührenzähler/ Nutzung** antippen. Zum Aufrufen detaillierter Nutzungsdaten **Zähler** antippen. Die Liste zeigt genauere Informationen über die gedruckten Seiten nach Kategorie.

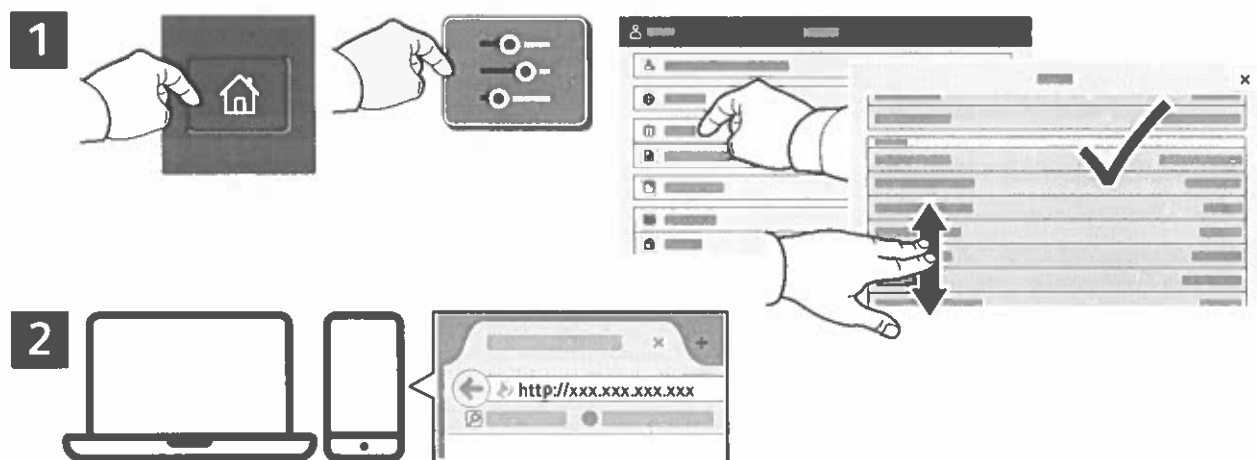


## Integrierter Webserver

Der integrierte Webserver von Xerox® ermöglicht den Zugriff auf Druckerkonfigurationsdetails, Papier- und Verbrauchsmaterialstand, und Auftragsstatus sowie Diagnosefunktionen über ein Netzwerk. Außerdem können Fax- und E-Mail-Betrieb sowie Adressbücher verwaltet werden.

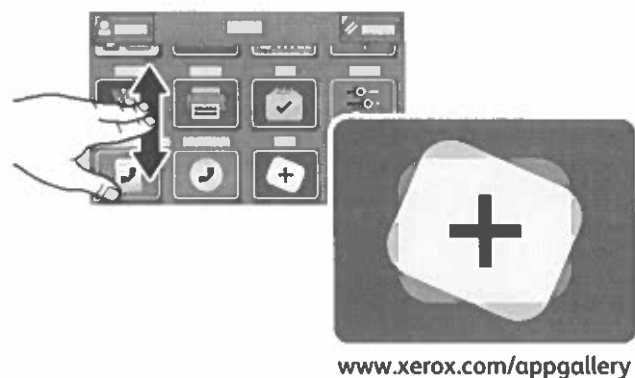
Im Webbrowser die IP-Adresse des Druckers eingeben. Die IPv4-Adresse des Netzwerks ist auf dem Touchscreen des Steuerpults verfügbar. **Geräte-App > Info** antippen und nach unten blättern.

Weitere Informationen zum integrierten Webserver siehe *Benutzerhandbuch* auf [Xerox.com](http://Xerox.com).



## App Gallery

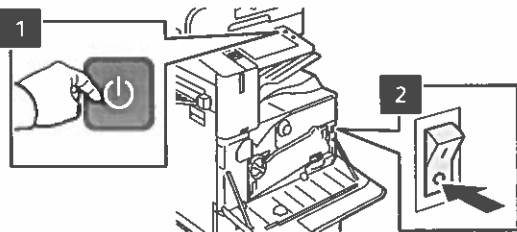
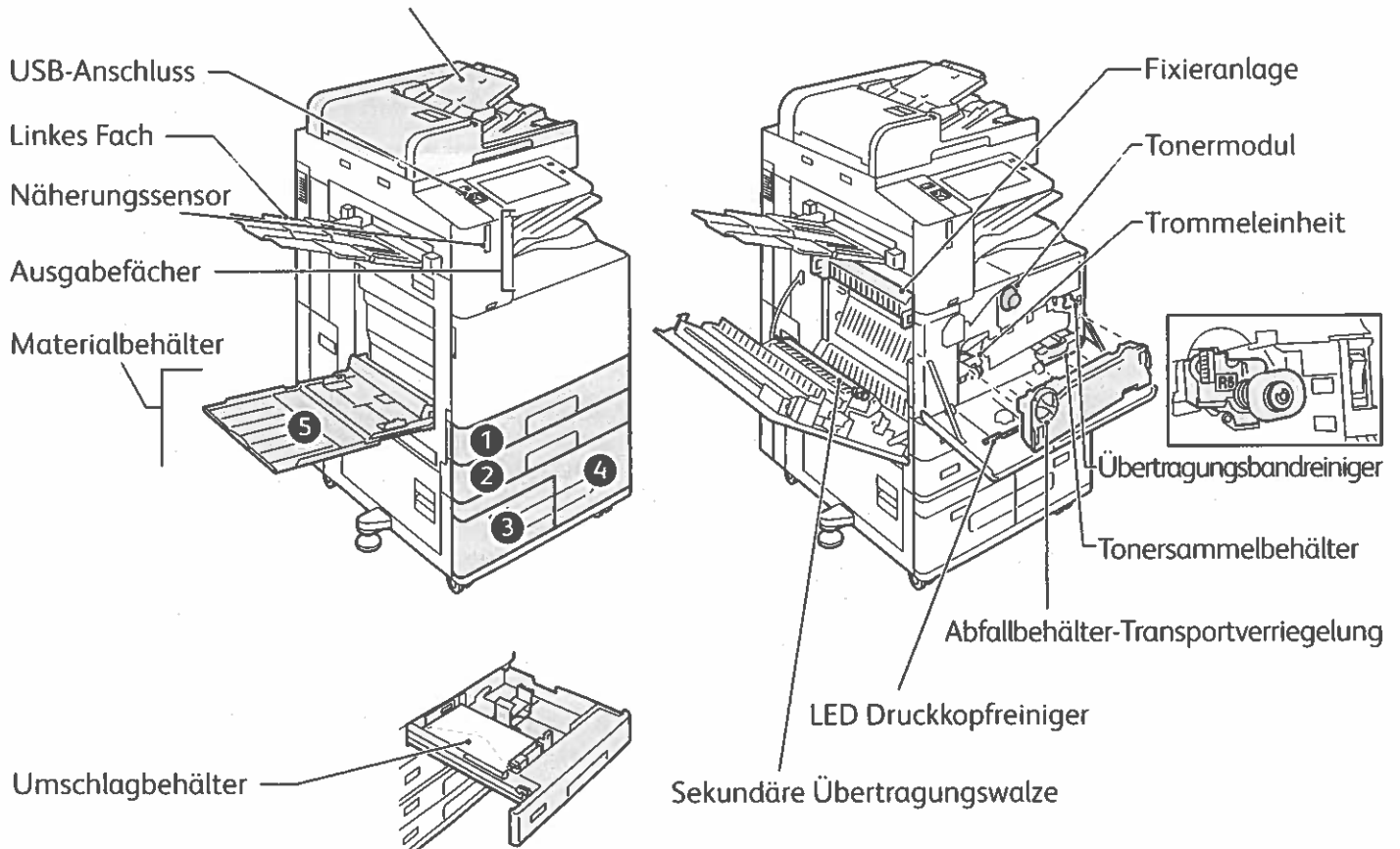
Die Xerox App Gallery umfasst eine wachsende Sammlung von Produktivitäts-Apps, die auf dem Drucker installiert werden können. Die App auf der Startseite suchen und eine Anmeldung direkt erstellen oder unter [www.xerox.com/appgallery](http://www.xerox.com/appgallery) anmelden und das Gerät hinzufügen. Zum Vereinfachen der App-Installation für die Anmeldung bei der App Gallery und beim Drucker den gleichen Benutzernamen verwenden.



## Der Drucker im Überblick

Manche Drucker sind mit optionalem Zubehör ausgestattet. Weitere Informationen siehe *Benutzerhandbuch*.

Automatischer Duplex-Vorlageneinzug (Single-Pass)



Um den Drucker neu zu starten, am Steuerpult den **Zweitschalter (1)** drücken.

Um den Drucker vollständig abzuschalten, den **Zweitschalter (1)** drücken. Hinter der vorderen Abdeckung den **Hauptbetriebsschalter (2)** drücken.

Zum Umschalten in den Ruhezustand den **Zweitschalter (1)** drücken. Am Touchscreen des Drucker-Steuerpults eine Option antippen.

## Materialhandhabung

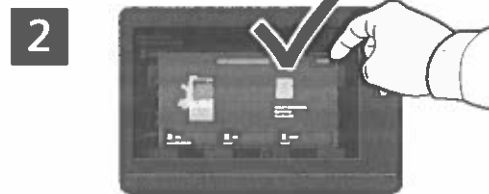
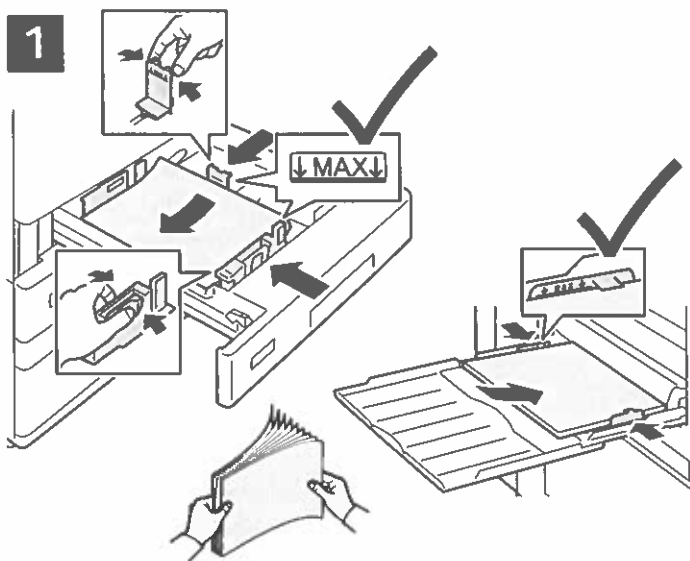
Eine komplette Liste der mit dem Gerät kompatiblen Druckmaterialien ist verfügbar in Form der Recommended Media List (Liste der empfohlenen Medien) unter:

[www.xerox.com/rmlna](http://www.xerox.com/rmlna) (USA und Kanada)

[www.xerox.com/rmleu](http://www.xerox.com/rmleu) (Europa)

Weitere Informationen über Materialbehälter und Druckmaterial siehe *Benutzerhandbuch*.

## Einlegen von Druckmaterial



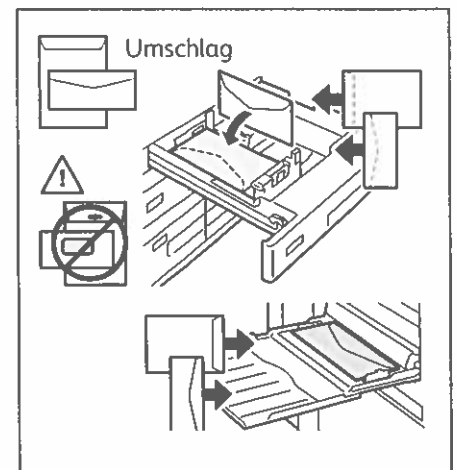
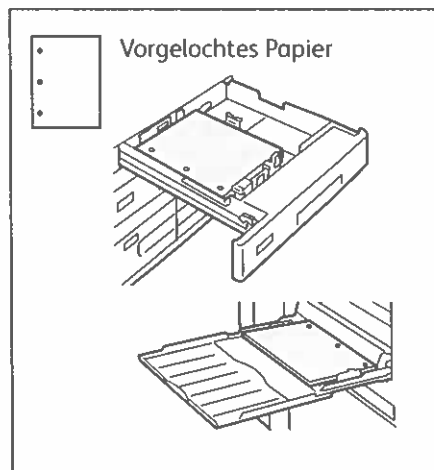
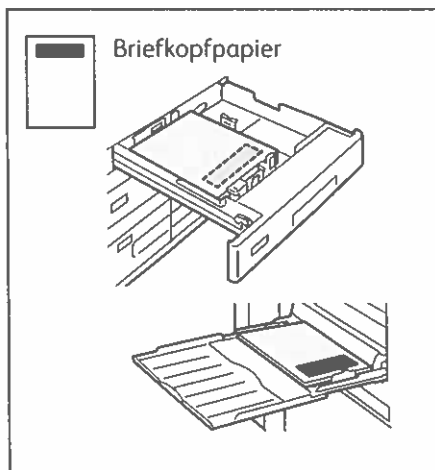
Einstellung von Materialformat, -art und -farbe ggf. bestätigen oder ändern.



Zum Drucken im Druckertreiber die gewünschten Optionen wählen.

Um bestmögliche Ergebnisse zu erzielen, das Papier auffächern. Die Führungen auf das Materialformat einstellen. Die Markierung für die maximale Füllhöhe nicht überschreiten.

## Materialausrichtung



# Kopieren

Weitere Informationen siehe *Benutzerhandbuch*.

1



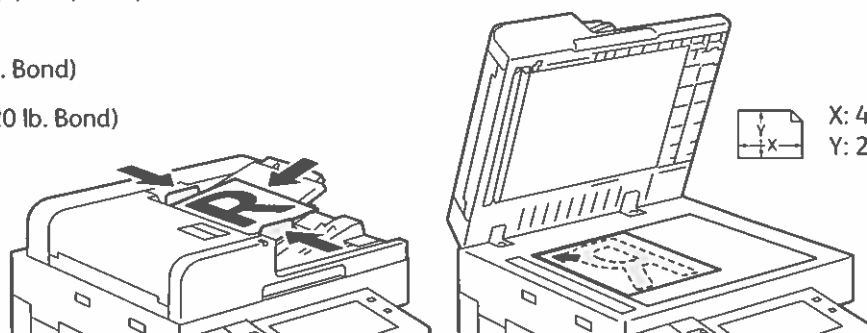
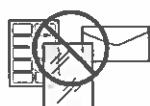
X: 85-432 mm (3,3-17 Zoll)  
Y: 125-297 mm (4,9-11,7 Zoll)



38-128 g/m<sup>2</sup>  
(26 lb. Text-34 lb. Bond)



≤130 (80 g/m<sup>2</sup>, 20 lb. Bond)  
B8270: ≤250



X: 432 mm (17 Zoll)  
Y: 297 mm (11,7 Zoll)

Die Vorlagen in den Vorlageneinzug oder auf das Vorlagenglas legen.

2

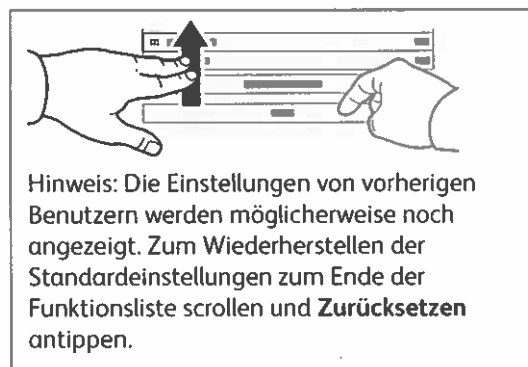


Kopieren antippen und die Auflage auswählen.

3



Die Funktionseinstellungen in der Liste auswählen, dann **Start** antippen.



## Scannen und E-Mail

Ist der Drucker mit einem Netzwerk verbunden, kann am Steuerpult ein Scanziel ausgewählt werden.


Diese Anleitung erläutert die Vorgehensweisen zum Scannen von Dokumenten ohne spezielle Konfiguration:


- Vorlage scannen und Dokument an E-Mail-Adresse senden.
- Vorlage scannen und Dokument an einen als Favorit oder im Adressbuch gespeicherten Empfänger senden oder auf einem USB-Laufwerk speichern.
- Vorlage scannen und Dokument im öffentlichen Standardordner auf dem Drucker speichern, von wo die Scandatei über den Webbrowser abgerufen werden kann.

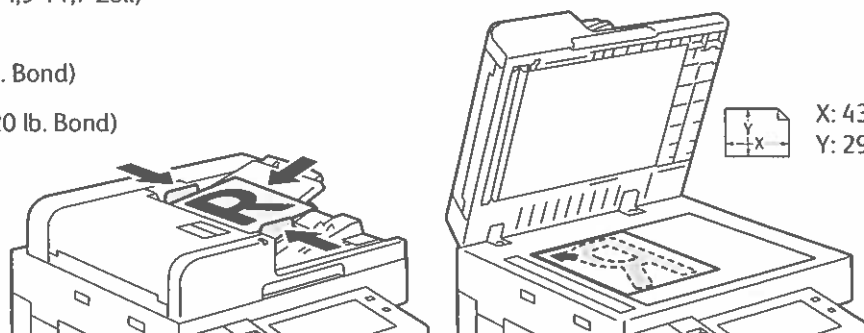
Weitere Informationen über Scaneinstellungen siehe *Benutzerhandbuch*. Weitere Informationen über das Adressbuch und über die Einrichtung von Workflow-Profilen siehe *System Administrator Guide (Systemhandbuch)*.

1

 X: 85-432 mm (3,3-17 Zoll)  
Y: 125-297 mm (4,9-11,7 Zoll)

 38-128 g/m<sup>2</sup>  
(26 lb. Text-34 lb. Bond)

 ≤130 (80 g/m<sup>2</sup>, 20 lb. Bond)  
B8270: ≤250



Die Vorlagen in den Vorlageneinzug oder auf das Vorlagenglas legen.

2

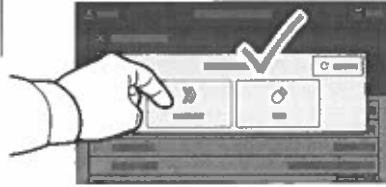


**Startseite** drücken, dann zum E-Mail-Versand des gescannten Dokuments **E-Mail** drücken. Um die Scanausgabe an die öffentliche Standard-Mailbox oder einen USB-Datenträger zu übermitteln, **Workflow-Scannen** antippen. **Scanausgabe** antippen, wenn das Ziel im Adressbuch bzw. als Favorit gespeichert ist.

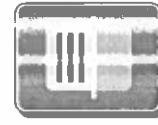
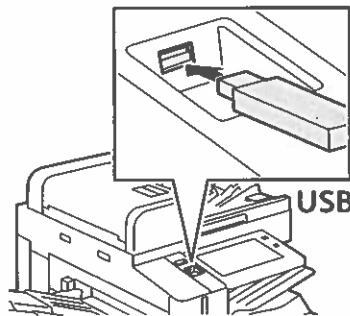
3



Für E-Mail **Manueller Eintrag** antippen, über die angezeigte Tastatur die E-Mail-Adresse eingeben, dann **Hinzufügen** antippen. Um der Liste mehrere Adressen hinzuzufügen, **Empfänger hinzufügen** antippen. Um eine Betreffzeile für die E-Mail einzugeben, **Betreff** antippen. Sollen gespeicherte E-Mail-Adressen verwendet werden, diese aus dem Geräteadressbuch oder aus den Favoriten auswählen.



Zum Workflow-Scannen **Öffentliche Standardmailbox** antippen oder den USB-Datenträger einstecken.

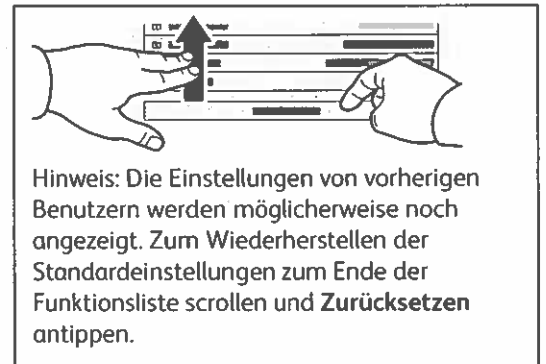


Zur Auswahl der Scanausgabe eine Zielart antippen und die zutreffenden Angaben eintragen. Um mehrere Ziele in die Liste aufzunehmen, **Ziel hinzufügen** antippen.

4



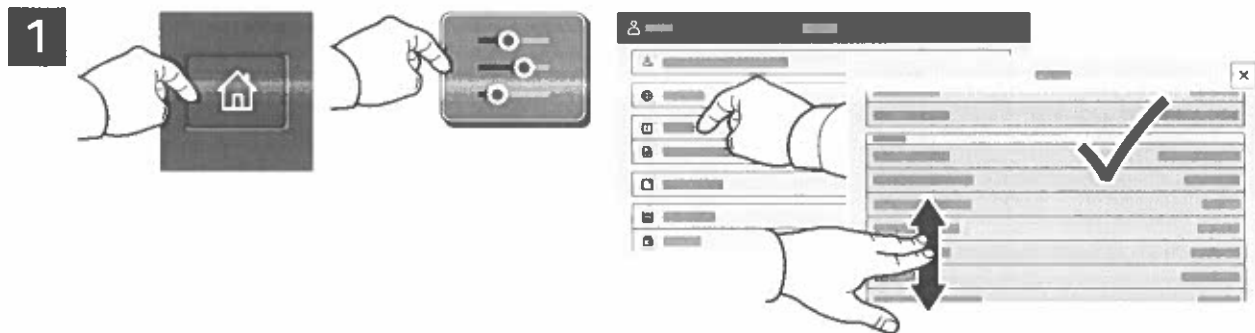
Die Einstellungen nach Bedarf ändern, dann **Scannen** oder für den E-Mail-Versand **Senden** antippen.



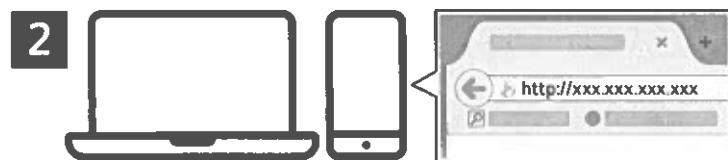
Hinweis: Die Einstellungen von vorherigen Benutzern werden möglicherweise noch angezeigt. Zum Wiederherstellen der Standardeinstellungen zum Ende der Funktionsliste scrollen und **Zurücksetzen** antippen.

# Aufrufen von Scandateien

Zum Herunterladen gescannter Dateien aus der öffentlichen Standardmailbox auf dem Drucker den integrierten Webserver verwenden. Im integrierten Webserver können persönliche Mailboxen und Scanprofile eingerichtet werden. Weitere Informationen siehe *Benutzerhandbuch*.



Auf dem Touchscreen wird die IP-Adresse des Druckers angezeigt. Erscheint die IP-Adresse nicht oben links auf dem Touchscreen, „Startseite“ drücken und **Gerät > Info** antippen, um die IP-Adresse einzublenden.



Die IP-Adresse des Druckers in einen Webbrowser eingeben und die **Eingabe-** oder **Return-Taste** drücken.



Die Registerkarte **Scannen** öffnen.



Die **öffentliche Standardmailbox** auswählen und die Scandatei in der Liste suchen. Zum Herunterladen der Scandatei auf **Start** klicken.

Zum Aktualisieren der Liste auf **Ansicht aktualisieren** klicken.

Zum Speichern der Datei auf dem Computer **Laden** wählen.  
**Nachdrucken** auswählen, um die gespeicherte Datei erneut zu drucken.  
 Zum Löschen des gespeicherten Auftrags **Löschen** wählen.  
 Zum Öffnen eines Verzeichnisses **Öffnen** wählen.

## Faxen

Für den Faxversand stehen vier Möglichkeiten zur Auswahl:


- **Fax:** Das Dokument wird gescannt und direkt an ein Faxgerät gesendet.
- **Serverfax:** Das Dokument wird gescannt und an einen Faxserver gesendet, der die Faxnachricht an ein Faxgerät übermittelt.
- **Internetfax:** Das Dokument wird gescannt und per E-Mail an einen Empfänger gesendet.
- **LAN-Fax:** Der aktuelle Druckauftrag wird als Fax gesendet.

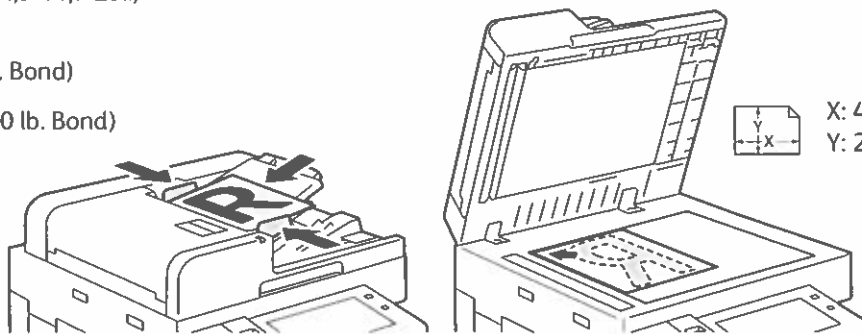
Weitere Informationen siehe *Benutzerhandbuch*. Weitere Informationen über die LAN-Fax-Funktion siehe Druckertreiber-Software. Detailinformationen über die Faxeinrichtung und erweiterte Einstellungen siehe *System Administrator Guide (Systemhandbuch)*.

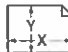
1

 X: 85-432 mm (3,3-17 Zoll)  
Y: 125-297 mm (4,9-11,7 Zoll)

 38-128 g/m<sup>2</sup>  
(26 lb. Text-34 lb. Bond)

 ≤130 (80 g/m<sup>2</sup>, 20 lb. Bond)  
B8270: ≤250



 X: 432 mm (17 Zoll)  
Y: 297 mm (11,7 Zoll)

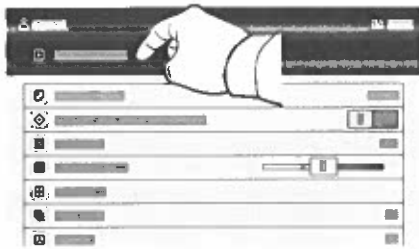
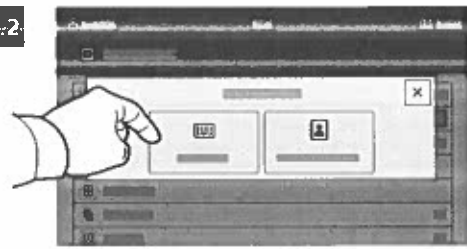
Die Vorlagen in den Vorlageneinzug oder auf das Vorlagenglas legen.

2



Zur Übermittlung an ein Faxgerät **Startseite** drücken, dann **Fax** oder **Serverfax** antippen.

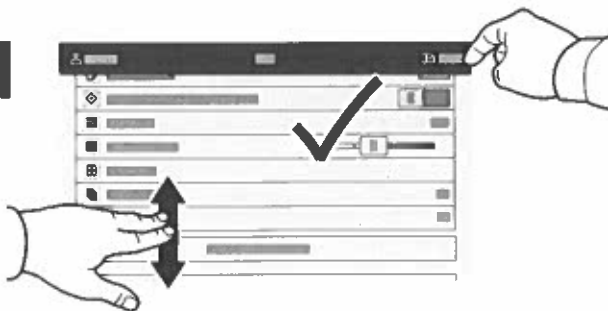
Zum Senden eines Faxes als E-Mail-Anlage **Startseite** drücken und **Internetfax** antippen.

**3****3.1****3.2****3.3**

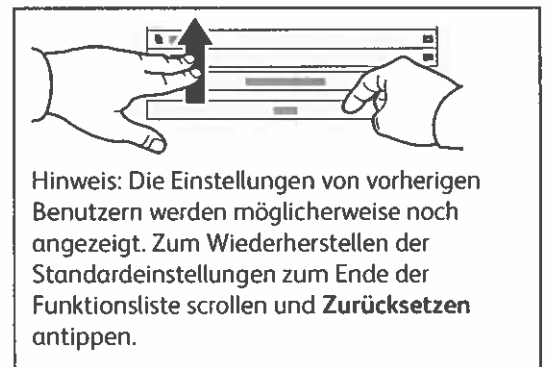
Für Faxnummern **Manueller Eintrag** antippen und die Faxnummer über die Tastatur am Touchscreen eingeben. **Hinzufügen** antippen. Um der Liste weitere Faxnummern hinzuzufügen, **Empfänger hinzufügen** antippen.

Die E-Mail-Adressen für Internetfaxnachrichten können nach Antippen von **Manueller Eintrag** über die Touchscreen-Tastatur eingegeben werden. **Hinzufügen** antippen. Um der Liste weitere E-Mail-Adressen hinzuzufügen, **Empfänger hinzufügen** antippen.

Um gespeicherte Nummern auszuwählen, das Geräteadressbuch oder die Favoriten verwenden. Zum Auswählen von Faxablagebereichen die Mailbox- oder Faxabruf-Funktion verwenden.

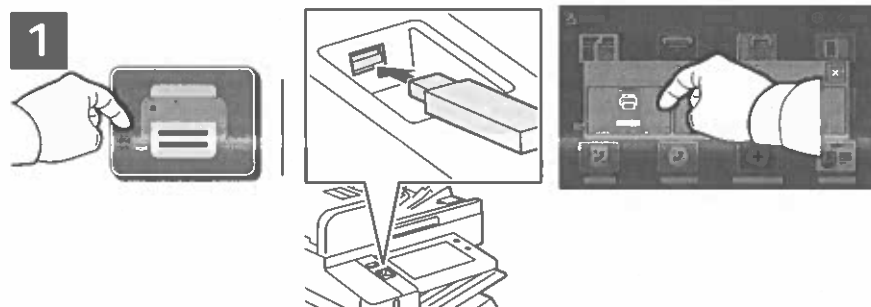
**4**

Die Einstellungen nach Bedarf ändern und **Senden** antippen.

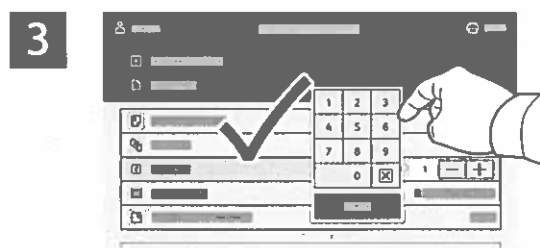


## Drucken von USB-Datenträger

Dateien im PDF-, TIFF-, PS- und XPS-Format können direkt von einem USB-Laufwerk gedruckt werden. Weitere Informationen siehe *Benutzerhandbuch*.

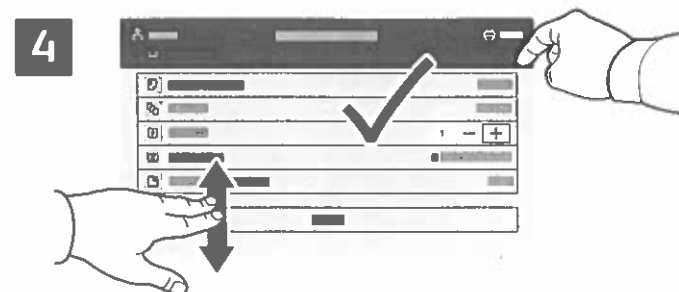


Drucken von antippen oder USB-Datenträger einführen und **USB-Direktdruck** antippen.

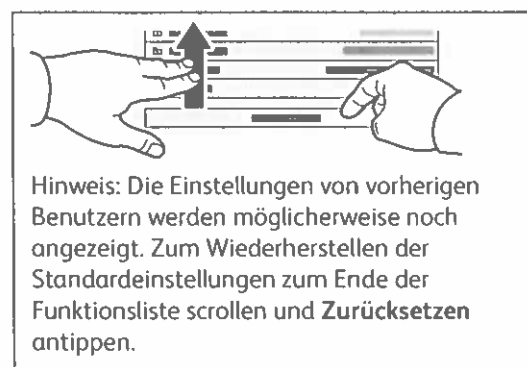


Zum Einstellen der Auflage das Pluszeichen (+) oder das Minuszeichen (-) antippen. Bei größeren Auflagen **Auflage** antippen und Zahl eingeben.

**Dokument hinzufügen** antippen, dann die Dateien auswählen.



Die Einstellungen nach Bedarf ändern und **Drucken** antippen.



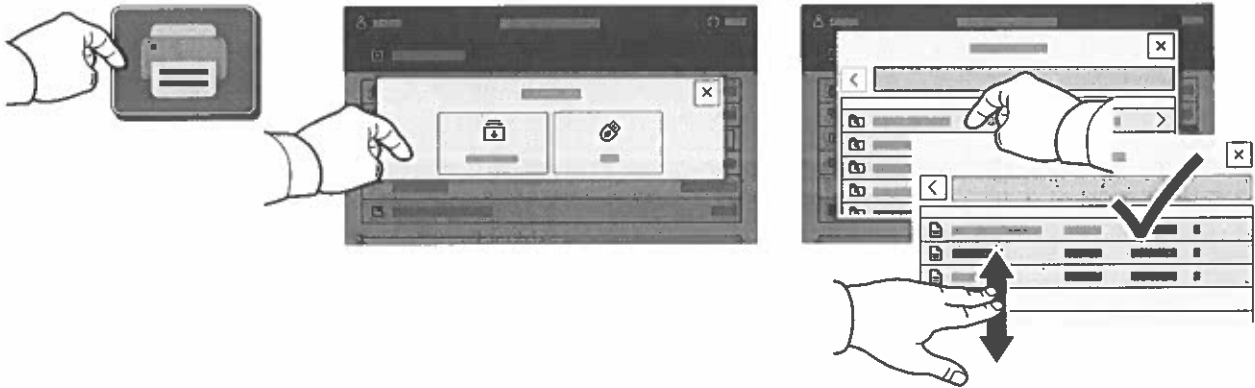
## Drucken gespeicherter Aufträge

1



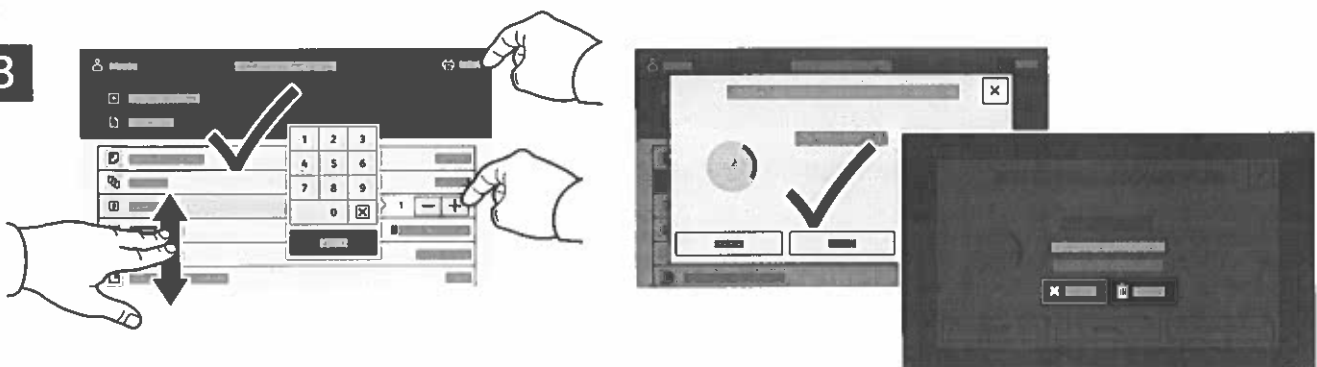
Ein Druckauftrag kann auf dem Drucker gespeichert und später am Steuerpult ausgewählt und gedruckt werden. Aufträge können im öffentlichen Ordner gespeichert oder durch ein Kennwort geschützt werden. Im Xerox®-Druckertreiber **Eigenschaften** (Windows) bzw. **Xerox-Funktionen** (Mac OS), und dann **Auftragsart** wählen. **Speicherauftrag** oder **Geschützte Ausgabe** wählen. Für die geschützte Ausgabe ein Kennwort eingeben. Auf **OK** klicken und den Auftrag drucken.

2



**Drucken von** und dann **Gespeicherte Aufträge** antippen. Den **öffentlichen Standardordner** und dann den Druckauftrag auswählen.

3



Einstellungen aus der Liste auswählen. Zum Einstellen der Auflage das Pluszeichen (+) oder das Minuszeichen (-) antippen. Bei größeren Auflagen **Auflage** antippen und Zahl eingeben. „Drucken“ antippen. Zum Löschen des Auftrags auf der Druck- und Bestätigungsanzeige **Löschen** wählen.

## Beheben von Problemen mit der Druckqualität

Der Multifunktionsdrucker Xerox® AltaLink® B8245/B8255/B8270 ist für eine stets einwandfreie Druckqualität konzipiert. Sollten Probleme mit der Druck- oder Kopierqualität auftreten, können die Informationen auf diesen Seiten zur Fehlerbehebung herangezogen werden. Ausführliche Online-Supportinformationen siehe [www.xerox.com/office/support](http://www.xerox.com/office/support).

**ACHTUNG:** Schäden, die durch nicht unterstütztes Druckmaterial verursacht wurden, fallen nicht unter die Xerox®-Garantie, den Servicevertrag oder die Total Satisfaction Garantie (umfassende Garantie). Die Total Satisfaction Garantie (umfassende Garantie) wird in den USA und in Kanada angeboten. Für die übrigen Länder kann ein anderer Gewährleistungsumfang gelten. Nähere Informationen erteilt der lokale Xerox-Partner.

### Materialart

**ACHTUNG:** Wenn in einen Behälter eine andere Materialart eingelegt wird, muss die Materialeinstellung am Steuerpult entsprechend aktualisiert werden. Wird die Einstellung der Materialart nicht geändert, kann es zu Einbußen bei der Druckqualität und Schäden am Fixiermodul kommen.

Das beste Ergebnis wird mit empfohlenen Druckmaterialien von Xerox® erzielt. Mit Xerox®-Druckmaterialien wird auf dem Xerox® AltaLink® B8245/B8255/B8270 eine optimale Ausgabequalität erzielt. Xerox®-Druckmaterialien können bestellt werden unter: [www.xerox.com/office/supplies](http://www.xerox.com/office/supplies).

Eine umfassende Liste der für den Drucker empfohlenen Druckmaterialien ist zu finden unter:

- Nordamerika: [www.xerox.com/rmlna](http://www.xerox.com/rmlna)
- Europa: [www.xerox.com/rmleu](http://www.xerox.com/rmleu)


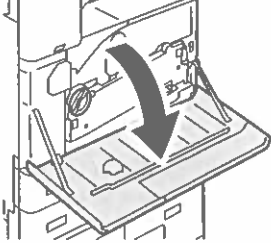
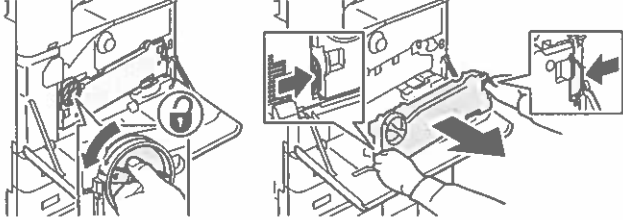
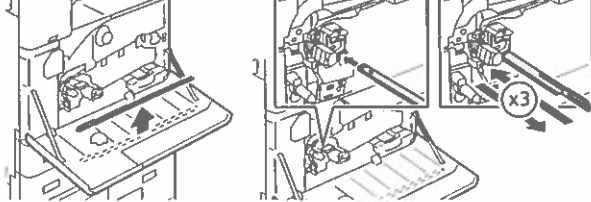
### Beheben von Problemen mit der Druckqualität

Die folgenden Tabellen enthalten Lösungen zu speziellen Druckqualitätsproblemen.

**Hinweis:** Für die Darstellungen wurde Längsseitenzufuhr gewählt. Bei Schmalseitenzufuhr erscheinen Druckbildmängel um 90 Grad gedreht. Die Darstellungen dienen nur der Veranschaulichung. Nicht alle dargestellten Seiten werden gedruckt.

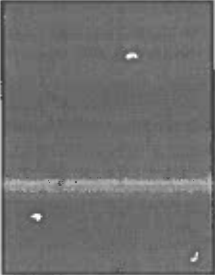


## Beheben von Problemen mit der Druckqualität

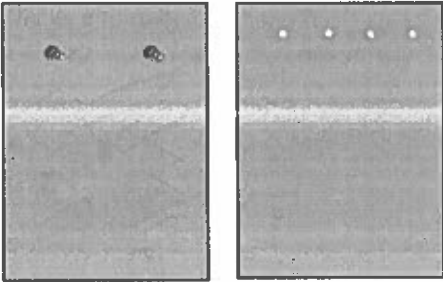
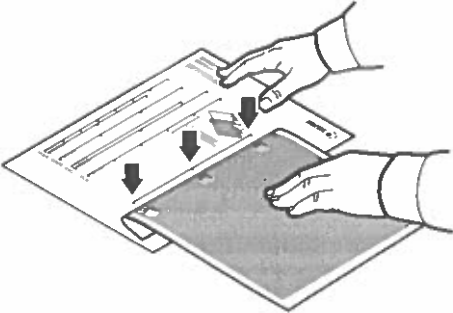
Problem	Lösung
<p data-bbox="113 371 392 398">Helle Linien oder Streifen</p> 	<ol style="list-style-type: none"><li data-bbox="651 371 975 398">1. Vordere Abdeckung öffnen.</li></ol>  <ol style="list-style-type: none"><li data-bbox="651 674 1347 757">2. Zum Entriegeln des Bandspannungshebels auf der linken Seite des Druckers den Hebel drehen, und dann die Abdeckung der Trommeleinheit öffnen.</li></ol>  <ol style="list-style-type: none"><li data-bbox="651 1010 1433 1093">3. Reiniger bis zum Anschlag in den Drucker einschieben. LED-Druckkopfreiniger zwei bis drei Mal aus dem Drucker herausziehen und wieder hineinschieben. Anschließend den Reiniger entfernen.</li></ol> <p data-bbox="695 1111 1054 1137"><b>Hinweis:</b> Keine Gewalt anwenden.</p> 



## Beheben von Problemen mit der Druckqualität (Fortsetzung)

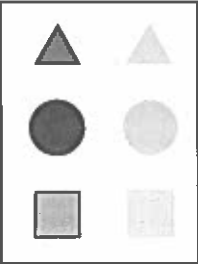
Problem	Lösung
<p data-bbox="113 371 392 405"><b>Unvollständige Fixierung</b></p> <p data-bbox="113 412 560 472">Die Ausgabe weist Auslassungen auf und/oder der Toner lässt sich leicht abreiben.</p> 	<p data-bbox="660 371 1437 432">1. Sicherstellen, dass das Druckmaterial für den Drucker geeignet ist und ordnungsgemäß eingelegt wurde.</p> <p data-bbox="695 439 1286 499">Eine umfassende Liste der für den Drucker empfohlenen Druckmaterialien ist zu finden unter:</p> <ul data-bbox="695 510 1142 584" style="list-style-type: none"><li data-bbox="695 510 1142 544">– Nordamerika: <a href="http://www.xerox.com/rmlna">www.xerox.com/rmlna</a></li><li data-bbox="695 551 1078 584">– Europa: <a href="http://www.xerox.com/rmleu">www.xerox.com/rmleu</a></li></ul> <p data-bbox="660 595 1382 656">2. Überprüfen, ob am Steuerpult und im Druckertreiber das richtige Druckmaterial ausgewählt wurde.</p> <p data-bbox="660 667 1453 701">3. Tritt das Problem weiterhin auf, einen der folgenden Schritte ausführen:</p> <ul data-bbox="695 707 1358 824" style="list-style-type: none"><li data-bbox="695 707 1358 824">• Bei Festformbehältern als Administrator anmelden, <b>Gerät &gt; Verwaltung &gt; Geräteeinstellung &gt; Materialverwaltung &gt; Behälterereinstellungen</b> antippen. Den Behälter auswählen, <b>Bearbeiten</b> antippen und die Materialart ändern.</li></ul> <p data-bbox="695 835 1382 925"><b>Hinweis:</b> Anmeldung als Systemadministrator vornehmen, wenn die Einstellung von Format, Art oder Farbe des Materials in einem Festformatbehälter geändert werden soll.</p> <ul data-bbox="695 936 1453 1104" style="list-style-type: none"><li data-bbox="695 936 1453 969">• Bei Behältern, für die der Modus „Frei einstellbar“ ausgewählt ist:<ul data-bbox="730 976 1453 1104" style="list-style-type: none"><li data-bbox="730 976 1453 1037">• Behälter 1-4 und 6: Den ausgewählten Materialbehälter öffnen und wieder schließen.</li><li data-bbox="730 1043 1382 1104">• Behälter 5: Das Druckmaterial herausnehmen und wieder einlegen.</li></ul></li></ul> <p data-bbox="695 1115 1382 1176">Am Steuerpult wird zum Bestätigen oder Ändern der Materialart aufgefordert.</p> <ul data-bbox="695 1187 1453 1355" style="list-style-type: none"><li data-bbox="695 1187 1453 1247">• Am Touchscreen <b>Art</b> antippen und dann einen der folgenden Schritte ausführen:<ul data-bbox="730 1254 1453 1355" style="list-style-type: none"><li data-bbox="730 1254 1453 1288">• Richtige Materialart auswählen und dann <b>Bestätigen</b> antippen.</li><li data-bbox="730 1294 1453 1355">• Nächstschwerere Materialart auswählen und dann <b>Bestätigen</b> antippen.</li></ul></li></ul> <p data-bbox="695 1366 1445 1426"><b>Hinweis:</b> Folgende Materialarten stehen zur Auswahl (nach Gewicht in aufsteigender Reihenfolge):</p> <ul data-bbox="730 1438 1453 1568" style="list-style-type: none"><li data-bbox="730 1438 1453 1498">• Ungestrichenes Papier: Normalpapier, Leichtkarton, Karton und schwerer Karton.</li><li data-bbox="730 1505 1453 1568">• Gestrichenes Papier: Leichter Glanzkarton, Glanzkarton und schwerer Glanzkarton.</li></ul>

## Beheben von Problemen mit der Druckqualität (Fortsetzung)

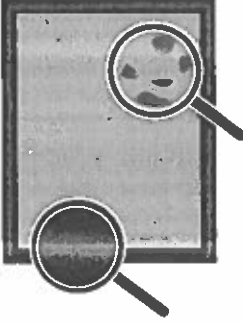
Problem	Lösung
<p><b>Wiederholte Fehler</b></p> <p>Die Ausgabe weist in Zufuhrrichtung Punkte oder Linien auf, die in regelmäßigen Abständen oder in unbedruckten Bereichen auftreten.</p> 	<p>1. Am Steuerpult <b>Gerät &gt; Verwaltung &gt; Fehlerbehebung &gt; Hilfsseiten &gt; Seite für Wiederholungsfehler &gt; Drucken</b> antippen.</p> <p>Die Seite für Wiederholungsfehler mit Anweisungen zum Ermitteln der defekten Komponente(n) wird ausgegeben.</p> <p>2. Zum Beheben des Problems die anhand der Seite für Wiederholungsfehler ermittelten Teile austauschen.</p>  <p>3. Wurde die Übertragungswalze ausgetauscht, den Zähler zurücksetzen:</p> <ul style="list-style-type: none"><li>• Am Steuerpult die Taste <b>Anmelden/Abmelden</b> antippen. Die Anmeldeinformationen des Systemadministrators eingeben und <b>Eingabe</b> antippen. Weitere Informationen siehe <i>System Administrator Guide (Systemadministratorhandbuch)</i>.</li><li>• <b>Gerät &gt; Verwaltung &gt; Geräteeinstellung</b> antippen.</li><li>• Bildlauf durchführen und <b>Austauschmodule &gt; Verbrauchsmaterialzähler zurücksetzen</b> antippen.</li><li>• <b>Sekundäre Übertragungswalze</b> antippen.</li><li>• <b>Zähler zurücksetzen</b> antippen.</li><li>• Zum Schließen des Pop-upfensters das <b>X</b>, dann <b>admin</b> antippen und <b>Abmelden</b> auswählen.</li></ul>



## Beheben von Problemen mit der Druckqualität (Fortsetzung)


Problem	Lösung
<p><b>Versetztes Bild</b></p> <p>Der am häufigsten vorkommende Versatzfehler besteht darin, dass ein Druckbild im Abstand von 95 mm (3,75 Zoll) in Zufuhrrichtung wiederholt wird, so dass es ggf. zu einer Überlagerung kommt.</p> <p><b>Hinweis:</b> Bei anderen Abständen die Ursache anhand der Seite für Wiederholungsfehler ermitteln.</p> 	<ol style="list-style-type: none"><li>1. Prüfen, ob das Druckmaterial für den Drucker geeignet ist und ordnungsgemäß eingelegt wurde. Eine umfassende Liste der für den Drucker empfohlenen Druckmaterialien ist zu finden unter:<ul style="list-style-type: none"><li>– Nordamerika: <a href="http://www.xerox.com/rmlna">www.xerox.com/rmlna</a></li><li>– Europa: <a href="http://www.xerox.com/rmleu">www.xerox.com/rmleu</a></li></ul></li><li>2. Überprüfen, ob am Steuerpult und im Druckertreiber das richtige Druckmaterial ausgewählt wurde. <b>Hinweis:</b> Anmeldung als Systemadministrator vornehmen, wenn die Einstellung von Format, Art oder Farbe des Materials in einem Festformatbehälter geändert werden soll.</li><li>3. Tritt das Problem weiterhin auf, einen der folgenden Schritte ausführen:<ul style="list-style-type: none"><li>• Bei Festformbehältern als Administrator anmelden, <b>Gerät &gt; Verwaltung &gt; Geräteeinstellung &gt; Materialverwaltung &gt; Behältereinstellungen</b> antippen. Den Behälter auswählen, <b>Bearbeiten</b> antippen und die Materialart ändern.</li><li>• Bei Behältern, für die der Modus „Frei einstellbar“ ausgewählt ist:<ul style="list-style-type: none"><li>• Behälter 1-4 und 6: Den ausgewählten Materialbehälter öffnen und wieder schließen.</li><li>• Behälter 5: Das Druckmaterial herausnehmen und wieder einlegen.</li></ul></li></ul>Am Steuerpult wird zum Bestätigen oder Ändern der Materialart aufgefordert.</li><li>• Am Touchscreen <b>Art</b> antippen und dann einen der folgenden Schritte ausführen:<ul style="list-style-type: none"><li>• Richtige Materialart auswählen und dann <b>Bestätigen</b> antippen.</li><li>• Nächstschwerere Materialart auswählen und dann <b>Bestätigen</b> antippen.</li></ul></li><p><b>Hinweis:</b> Folgende Materialarten stehen zur Auswahl (nach Gewicht in aufsteigender Reihenfolge):</p><ul style="list-style-type: none"><li>• Ungestrichenes Papier: Normalpapier, Leichtkarton, Karton und schwerer Karton.</li><li>• Gestrichenes Papier: Leichter Glanzkarton, Glanzkarton und schwerer Glanzkarton.</li><li>• Ursache mithilfe der Seite für Wiederholungsfehler ermitteln. Weitere Informationen siehe vorige Seite.</li></ul></ol>

## Beheben von Problemen mit der Druckqualität (Fortsetzung)

Problem	Lösung
<p data-bbox="113 371 555 400"><b>Fleckige Ausgabe bei hoher Tonerdichte</b></p> 	<ol data-bbox="659 371 1437 651" style="list-style-type: none"><li>1. Sicherstellen, dass das Druckmaterial für den Drucker geeignet ist und ordnungsgemäß eingelegt wurde. Eine umfassende Liste der für den Drucker empfohlenen Druckmaterialien ist zu finden unter:<ul data-bbox="694 510 1141 584" style="list-style-type: none"><li>– Nordamerika: <a href="http://www.xerox.com/rmlna">www.xerox.com/rmlna</a></li><li>– Europa: <a href="http://www.xerox.com/rmleu">www.xerox.com/rmleu</a></li></ul></li><li>2. Überprüfen, ob am Steuerpult und im Druckertreiber das richtige Druckmaterial ausgewählt wurde.</li></ol> <p data-bbox="659 663 1305 692">Tritt das Problem weiterhin auf, den Kundendienst anfordern.</p>
<p data-bbox="113 813 464 842"><b>Grautöne zu hell oder zu dunkel</b></p> <p data-bbox="113 853 507 913">Grautöne wirken auf Drucken/Kopien verblasst oder zu dunkel.</p>	<ol data-bbox="659 813 1437 1227" style="list-style-type: none"><li>1. Sicherstellen, dass das Druckmaterial für den Drucker geeignet ist und ordnungsgemäß eingelegt wurde. Eine umfassende Liste der für den Drucker empfohlenen Druckmaterialien ist zu finden unter:<ul data-bbox="694 954 1141 1028" style="list-style-type: none"><li>– Nordamerika: <a href="http://www.xerox.com/rmlna">www.xerox.com/rmlna</a></li><li>– Europa: <a href="http://www.xerox.com/rmleu">www.xerox.com/rmleu</a></li></ul></li><li>2. Überprüfen, ob am Steuerpult und im Druckertreiber das richtige Druckmaterial ausgewählt wurde.</li><li>3. In den Kopiereinstellungen oder im Druckertreiber die Helligkeit anpassen. Informationen zum Ändern der Helligkeit im PostScript-Treiber für das jeweilige Betriebssystem siehe das Kapitel <i>Drucken</i> im <i>Benutzerhandbuch</i>.</li></ol>



## Beheben von Problemen mit der Druckqualität (Fortsetzung)

Problem	Lösung
<p><b>Striche, verschmierte Stellen oder Streifen</b> Die Ausgabe weist dunkle oder helle Stellen auf (alle Grautöne bzw. unbedruckte Bereiche).</p> 	<ol style="list-style-type: none"> <li>1. Sicherstellen, dass das Druckmaterial für den Drucker geeignet ist und ordnungsgemäß eingelegt wurde. Eine umfassende Liste der für den Drucker empfohlenen Druckmaterialien ist zu finden unter: <ul style="list-style-type: none"> <li>– Nordamerika: <a href="http://www.xerox.com/rmlna">www.xerox.com/rmlna</a></li> <li>– Europa: <a href="http://www.xerox.com/rmleu">www.xerox.com/rmleu</a></li> </ul> </li> <li>2. Überprüfen, ob am Steuerpult und im Druckertreiber das richtige Druckmaterial ausgewählt wurde.</li> <li>3. Tritt das Problem weiterhin auf, die folgenden Schritte ausführen: <ul style="list-style-type: none"> <li>• Am Steuerpult <b>Gerät &gt; Infoseiten &gt; Seite zur Fehlerbehebung bei Druckqualitätsproblemen &gt; Drucken</b> antippen. Die Seite für Wiederholungsfehler mit Anweisungen zum Ermitteln der defekten Komponente(n) wird ausgegeben.</li> <li>• Zum Beheben des Problems die anhand der Seite für Wiederholungsfehler ermittelten Teile austauschen.</li> </ul> </li> <li>4. Tritt das Problem weiterhin auf, den Übertragungsbandreiniger austauschen. Wurde der Übertragungsbandreiniger ausgetauscht, den Zähler zurücksetzen: <ul style="list-style-type: none"> <li>• Am Steuerpult die Taste <b>Anmelden/Abmelden</b> antippen. Die Anmeldeinformationen des Systemadministrators eingeben und <b>Fertig</b> antippen. Weitere Informationen siehe <i>System Administrator Guide (Systemadministratorhandbuch)</i>.</li> <li>• <b>Gerät &gt; Verwaltung &gt; Geräteeinstellung</b> antippen.</li> <li>• Bildlauf durchführen und <b>Austauschmodule &gt; Verbrauchsmaterialzähler zurücksetzen</b> antippen.</li> <li>• <b>Übertragungsbandreiniger</b> antippen.</li> <li>• <b>Zähler zurücksetzen - Bestätigung</b> antippen.</li> <li>• Zum Schließen des Pop-upfensters das <b>X</b>, dann <b>admin</b> antippen und <b>Abmelden</b> auswählen.</li> </ul> </li> </ol>
<p><b>Mangelhafte Ausgabequalität beim Drucken auf Klarsichtfolien</b> Beim Drucken auf Klarsichtfolien treten Qualitätsmängel auf:</p> <ul style="list-style-type: none"> <li>• Helle oder dunkle Flecken</li> <li>• Verwischter Toner</li> <li>• Helle Streifen</li> </ul>	<p>Nur Xerox®-Klarsichtfolien verwenden.</p> <p><b>ACHTUNG:</b> Folien von anderen Herstellern als Xerox® können Druckqualitätsprobleme bzw. Schäden an der Fixieranlage verursachen. Schäden, die durch nicht unterstütztes Druckmaterial verursacht wurden, fallen nicht unter die Xerox®-Garantie, den Servicevertrag oder die Total Satisfaction Guarantee (umfassende Garantie).</p>



## Druckqualität

Der Windows-Postscript-Druckertreiber und der Macintosh-Druckertreiber bieten Ausgabemodi mit der höchsten Druckqualität:

- **Optimiert:** Dies ist der Allzweckmodus für gestochen scharfe Drucke mit gleichmäßigen Verläufen. Der Modus „Optimiert“ sorgt für ein ausgewogenes Verhältnis zwischen Geschwindigkeit und Qualität.
- **Hohe Auflösung:** Dieser Modus sorgt für hohe Qualität mit feiner Linien- und Detailzeichnung und gleichmäßigen Verläufen. Beim Modus „Hohe Auflösung“ hat die Qualität Vorrang vor der Geschwindigkeit.
- **Tonersparbetrieb:** In diesem für Entwurfsdrucke geeigneten Modus wird der Tonerverbrauch reduziert. Die Druckqualität ist etwas geringer als beim Standardmodus.

## Bildoptionen

Mit „Bildqualität“ werden Helligkeit und Kontrast beim Drucken des Dokuments gesteuert. Der Windows-PostScript-Druckertreiber bzw. der Macintosh-Druckertreiber bietet die meisten Steuermöglichkeiten auf der Registerkarte „Bildqualität“.

- Zum Aufrufen von Bildoptionen unter Windows im Druckertreiber auf die Registerkarte **Bildoptionen** klicken.
- Zum Aufrufen von Bildoptionen auf Macintosh im Fenster „Drucken“ in der Liste der Druckoptionen auf **XeroxFunktionen** klicken. In den Xerox-Funktionen in der Liste der Optionen auf **Bildoptionen** klicken.

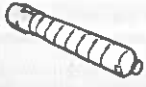


# Verbrauchsmaterialnutzung

Informationen zu Verbrauchsmaterial sind zu finden unter [www.xerox.com/office/supplies](http://www.xerox.com/office/supplies)

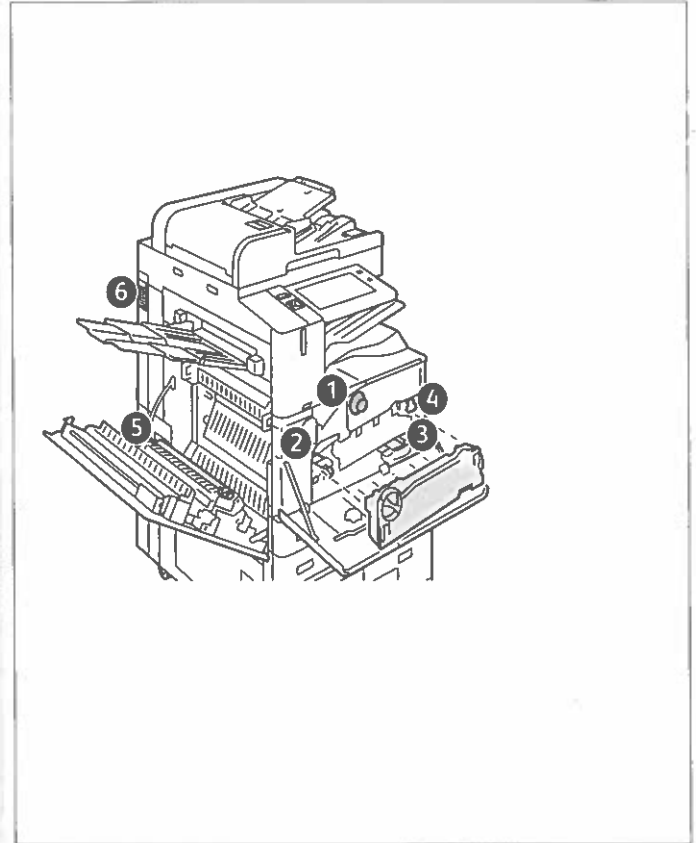
## Verbrauchsmaterialien

### 1 Tonerkartuschen



#### Schwarz

Installationsdatum: Feb 6, 2024  
 Nachbestellung: 006R01770  
 Verbleibende Seiten geschätzt: 17000  
 (Basiert auf durchschnittlicher Deckung mit dieser Tonerkartusche: 2%)



## Austauschmodule

### 2 Trommeleinheit



#### Schwarz (R1)

Installationsdatum: Dec 30, 2019  
 Nachbestellung: 013R00686  
 Verbleibende Seiten geschätzt: 0  
 (Basiert auf der durchschnittlichen Druckerauftragsgröße: 1 Seiten)



### 3 Abfallbehälter

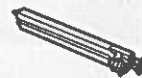
Installationsdatum: Feb 28, 2025  
 Nachbestellung: 008R08101



OK

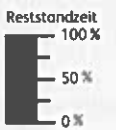
### 4 Übertragungsbandreiniger

Installationsdatum: Feb 28, 2025  
 Nachbestellung: 001R00623  
 Verbleibende Seiten geschätzt: 159000



### 5 Sekundäre Übertragungswalze

Installationsdatum: Feb 28, 2025  
 Nachbestellung: 008R08103  
 Verbleibende Seiten geschätzt: 359000

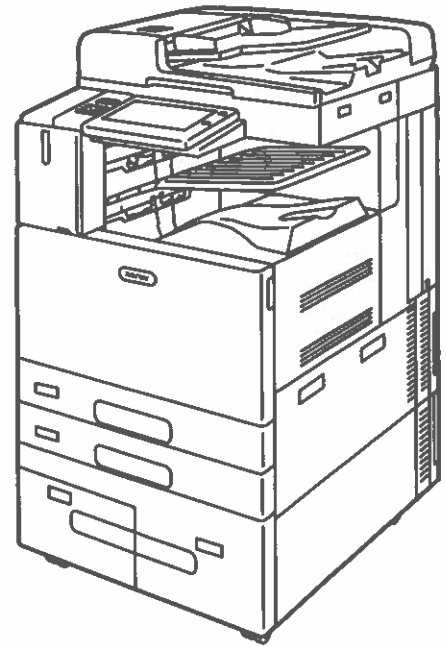


Informationen zum Recycling sind zu finden unter: [www.xerox.com/gwt](http://www.xerox.com/gwt)



# Xerox® AltaLink® B8200 Series Black-And-White Multifunction Printers

Productive, Scalable, Built-in Security



XEROX® CONNECTKEY®  
TECHNOLOGY



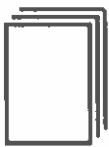
Intuitive User  
Experience



Mobile and  
Cloud Ready



Comprehensive  
Security



Enables Managed  
Print Services



Gateway to New  
Possibilities



## Residente Schriftarten

Position	Schriftname	Muster
1	Courier «Esc»(Symbol set«Esc»(s0p«pitch»h0s0b4099T	'ABCDEFGGabcdefg0123456789&?!.,'
2	CG Times «Esc»(Symbol set«Esc»(s1p«size»v0s0b4101T	'ABCDEFGGabcdefg0123456789&?!.,'
3	CG Times Bold «Esc»(Symbol set«Esc»(s1p«size»v0s3b4101T	'ABCDEFGGabcdefg0123456789&?!.,'
4	CG Times Italic «Esc»(Symbol set«Esc»(s1p«size»v1s0b4101T	'ABCDEFGGabcdefg0123456789&?!.,'
5	CG Times Bold Italic «Esc»(Symbol set«Esc»(s1p«size»v1s3b4101T	'ABCDEFGGabcdefg0123456789&?!.,'
6	CG Omega «Esc»(Symbol set«Esc»(s1p«size»v0s0b4113T	'ABCDEFGGabcdefg0123456789&?!.,'
7	CG Omega Bold «Esc»(Symbol set«Esc»(s1p«size»v0s3b4113T	'ABCDEFGGabcdefg0123456789&?!.,'
8	CG Omega Italic «Esc»(Symbol set«Esc»(s1p«size»v1s0b4113T	'ABCDEFGGabcdefg0123456789&?!.,'
9	CG Omega Bold Italic «Esc»(Symbol set«Esc»(s1p«size»v1s3b4113T	'ABCDEFGGabcdefg0123456789&?!.,'
10	Coronet «Esc»(Symbol set«Esc»(s1p«size»v1s0b4116T	'ABCDEF <i>G</i> abcdefg0123456789&?!.,'
11	Clarendon Condensed «Esc»(Symbol set«Esc»(s1p«size»v4s3b4140T	'ABCDEFGGabcdefg0123456789&?!.,'
12	Univers Medium «Esc»(Symbol set«Esc»(s1p«size»v0s0b4148T	'ABCDEFGGabcdefg0123456789&?!.,'
13	Univers Bold «Esc»(Symbol set«Esc»(s1p«size»v0s3b4148T	'ABCDEFGGabcdefg0123456789&?!.,'
14	Univers Medium Italic «Esc»(Symbol set«Esc»(s1p«size»v1s0b4148T	'ABCDEFGGabcdefg0123456789&?!.,'
15	Univers Bold Italic «Esc»(Symbol set«Esc»(s1p«size»v1s3b4148T	'ABCDEFGGabcdefg0123456789&?!.,'
16	Univers Medium Condensed «Esc»(Symbol set«Esc»(s1p«size»v4s0b4148T	'ABCDEFGGabcdefg0123456789&?!.,'
17	Univers Bold Condensed «Esc»(Symbol set«Esc»(s1p«size»v4s3b4148T	'ABCDEFGGabcdefg0123456789&?!.,'
18	Univers Medium Condensed Italic «Esc»(Symbol set«Esc»(s1p«size»v5s0b4148T	'ABCDEFGGabcdefg0123456789&?!.,'

## Residente Schriftarten

Position	Schriftname	Muster
19	Univers Bold Condensed Italic «Esc»(Symbol set«Esc»(s1p«size»v5s3b4148T	'ABCDEFGabcdefg0123456789&?!.,'
20	Antique Olive «Esc»(Symbol set«Esc»(s1p«size»v0s0b4168T	'ABCDEFGabcdefg0123456789&?!.,'
21	Antique Olive Bold «Esc»(Symbol set«Esc»(s1p«size»v0s3b4168T	'ABCDEFGabcdefg0123456789&?!.,'
22	Antique Olive Italic «Esc»(Symbol set«Esc»(s1p«size»v1s0b4168T	'ABCDEFGabcdefg0123456789&?!.,'
23	Garamond Antiqua «Esc»(Symbol set«Esc»(s1p«size»v0s0b4197T	'ABCDEFGabcdefg0123456789&?!.,'
24	Garamond Halbfett «Esc»(Symbol set«Esc»(s1p«size»v0s3b4197T	'ABCDEFGabcdefg0123456789&?!.,'
25	Garamond Kursiv «Esc»(Symbol set«Esc»(s1p«size»v1s0b4197T	'ABCDEFGabcdefg0123456789&?!.,'
26	Garamond Kursiv Halbfett «Esc»(Symbol set«Esc»(s1p«size»v1s3b4197T	'ABCDEFGabcdefg0123456789&?!.,'
27	Marigold «Esc»(Symbol set«Esc»(s1p«size»v0s0b4297T	'ABCDEFGabcdefg0123456789&?!.,'
28	Albertus Medium «Esc»(Symbol set«Esc»(s1p«size»v0s1b4362T	'ABCDEFGabcdefg0123456789&?!.,'
29	Albertus Extra Bold «Esc»(Symbol set«Esc»(s1p«size»v0s4b4362T	'ABCDEFGabcdefg0123456789&?!.,'
30	Ryadh «Esc»(Symbol set«Esc»(s1p«size»v0s0b4859T	ABCDEFGabcdefg0123456789&?!.,
31	Ryadh Bold «Esc»(Symbol set«Esc»(s1p«size»v0s3b4859T	ABCDEFGabcdefg0123456789&?!.,
32	Malka «Esc»(Symbol set«Esc»(s1p«size»v0s0b16584T	ABCDEFGabcdefg0123456789&?!.,'
33	Malka Bold «Esc»(Symbol set«Esc»(s1p«size»v0s3b16584T	ABCDEFGabcdefg0123456789&?!.,'
34	Malka Italic «Esc»(Symbol set«Esc»(s1p«size»v1s0b16584T	ABCDEFGabcdefg0123456789&?!.,'
35	Dorit «Esc»(Symbol set«Esc»(s1p«size»v0s0b16585T	ABCDEFGabcdefg0123456789&?!.,'
36	Dorit Bold «Esc»(Symbol set«Esc»(s1p«size»v0s3b16585T	ABCDEFGabcdefg0123456789&?!.,'

## Residente Schriftarten

Position	Schriftname	Muster
37	Naamit «Esc»(Symbol set«Esc»(s1p«size»v0s0b16587T	ABCDEFgabcdefg0123456789&?!.,'
38	Naamit Bold «Esc»(Symbol set«Esc»(s1p«size»v0s3b16587T	ABCDEFgabcdefg0123456789&?!.,'
39	Arial «Esc»(Symbol set«Esc»(s1p«size»v0s0b16602T	'ABCDEFgabcdefg0123456789&?!.,'
40	Arial Bold «Esc»(Symbol set«Esc»(s1p«size»v0s3b16602T	'ABCDEFgabcdefg0123456789&?!.,'
41	Arial Italic «Esc»(Symbol set«Esc»(s1p«size»v1s0b16602T	'ABCDEFgabcdefg0123456789&?!.,'
42	Arial Bold Italic «Esc»(Symbol set«Esc»(s1p«size»v1s3b16602T	'ABCDEFgabcdefg0123456789&?!.,'
43	Times New Roman «Esc»(Symbol set«Esc»(s1p«size»v0s0b16901T	'ABCDEFgabcdefg0123456789&?!.,'
44	Times New Roman Bold «Esc»(Symbol set«Esc»(s1p«size»v0s3b16901T	'ABCDEFgabcdefg0123456789&?!.,'
45	Times New Roman Italic «Esc»(Symbol set«Esc»(s1p«size»v1s0b16901T	'ABCDEFgabcdefg0123456789&?!.,'
46	Times New Roman Bold Italic «Esc»(Symbol set«Esc»(s1p«size»v1s3b16901T	'ABCDEFgabcdefg0123456789&?!.,'
47	Helvetica «Esc»(Symbol set«Esc»(s1p«size»v0s0b24580T	'ABCDEFgabcdefg0123456789&?!.,'
48	Helvetica Bold «Esc»(Symbol set«Esc»(s1p«size»v0s3b24580T	'ABCDEFgabcdefg0123456789&?!.,'
49	Helvetica Oblique «Esc»(Symbol set«Esc»(s1p«size»v1s0b24580T	'ABCDEFgabcdefg0123456789&?!.,'
50	Helvetica Bold Oblique «Esc»(Symbol set«Esc»(s1p«size»v1s3b24580T	'ABCDEFgabcdefg0123456789&?!.,'
51	Helvetica Narrow «Esc»(Symbol set«Esc»(s1p«size»v4s0b24580T	'ABCDEFgabcdefg0123456789&?!.,'
52	Helvetica Narrow Bold «Esc»(Symbol set«Esc»(s1p«size»v4s3b24580T	'ABCDEFgabcdefg0123456789&?!.,'
53	Helvetica Narrow Oblique «Esc»(Symbol set«Esc»(s1p«size»v5s0b24580T	'ABCDEFgabcdefg0123456789&?!.,'
54	Helvetica Narrow Bold Oblique «Esc»(Symbol set«Esc»(s1p«size»v5s3b24580T	'ABCDEFgabcdefg0123456789&?!.,'

## Residente Schriftarten

Position	Schriftname	Muster
55	Palatino Roman «Esc»(Symbol set«Esc»(s1p«size»v0s0b24591T	'ABCDEFgabcdefg0123456789&?!.,'
56	Palatino Bold «Esc»(Symbol set«Esc»(s1p«size»v0s3b24591T	'ABCDEFgabcdefg0123456789&?!.,'
57	Palatino Italic «Esc»(Symbol set«Esc»(s1p«size»v1s0b24591T	'ABCDEFgabcdefg0123456789&?!.,'
58	Palatino Bold Italic «Esc»(Symbol set«Esc»(s1p«size»v1s3b24591T	'ABCDEFgabcdefg0123456789&?!.,'
59	ITC Avant Garde Book «Esc»(Symbol set«Esc»(s1p«size»v0s0b24607T	'ABCDEFgabcdefg0123456789&?!.,'
60	ITC Avant Garde DemiBold «Esc»(Symbol set«Esc»(s1p«size»v0s2b24607T	'ABCDEFgabcdefg0123456789&?!.,'
61	ITC Avant Garde Book Oblique «Esc»(Symbol set«Esc»(s1p«size»v1s0b24607T	'ABCDEFgabcdefg0123456789&?!.,'
62	ITC Avant Garde DemiBold Oblique «Esc»(Symbol set«Esc»(s1p«size»v1s2b24607T	'ABCDEFgabcdefg0123456789&?!.,'
63	ITC Bookman Light «Esc»(Symbol set«Esc»(s1p«size»v0s-3b24623T	'ABCDEFgabcdefg0123456789&?!.,'
64	ITC Bookman DemiBold «Esc»(Symbol set«Esc»(s1p«size»v0s2b24623T	'ABCDEFgabcdefg0123456789&?!.,'
65	ITC Bookman Light Italic «Esc»(Symbol set«Esc»(s1p«size»v1s-3b24623T	'ABCDEFgabcdefg0123456789&?!.,'
66	ITC Bookman DemiBold Italic «Esc»(Symbol set«Esc»(s1p«size»v1s2b24623T	'ABCDEFgabcdefg0123456789&?!.,'
67	New Century Schoolbook Roman «Esc»(Symbol set«Esc»(s1p«size»v0s0b24703T	'ABCDEFgabcdefg0123456789&?!.,'
68	New Century Schoolbook Bold «Esc»(Symbol set«Esc»(s1p«size»v0s3b24703T	'ABCDEFgabcdefg0123456789&?!.,'
69	New Century Schoolbook Italic «Esc»(Symbol set«Esc»(s1p«size»v1s0b24703T	'ABCDEFgabcdefg0123456789&?!.,'
70	New Century Schoolbook Bold Ital «Esc»(Symbol set«Esc»(s1p«size»v1s3b24703T	'ABCDEFgabcdefg0123456789&?!.,'
71	Times Roman «Esc»(Symbol set«Esc»(s1p«size»v0s0b25093T	'ABCDEFgabcdefg0123456789&?!.,'
72	Times Roman Bold «Esc»(Symbol set«Esc»(s1p«size»v0s3b25093T	'ABCDEFgabcdefg0123456789&?!.,'



## Residente Schriftarten

Position	Schriftname	Muster
91	Courier PS Bold «Esc»(Symbol set«Esc»(s0p«pitch»h0s3b24579T	'ABCDEFGabcdefg0123456789&?!.,'
92	Courier PS Oblique «Esc»(Symbol set«Esc»(s0p«pitch»h1s0b24579T	'ABCDEFGabcdefg0123456789&?!.,'
93	Courier PS Bold Oblique «Esc»(Symbol set«Esc»(s0p«pitch»h1s3b24579T	'ABCDEFGabcdefg0123456789&?!.,'
94	Line Printer «Esc»(8U«Esc»(s0p16.67h8.48v0s0b0T	'ABCDEFGabcdefg0123456789&?!.,'


# PostScript-Schriftartenliste

## Interne Schriftarten:

AlberusMT	ABCDEF abcd ef 0123456789 &?!\$,%
AlberusMT-Italic	ABCDEF abcd ef 0123456789 &?!\$,%
AlberusMT-Light	ABCDEF abcd ef 0123456789 &?!\$,%
AntiqueOlive-Bold	ABCDEF abcd ef 0123456789 &?!\$,%
AntiqueOlive-Compact	<b>ABCDEF abcd ef 0123456789 &amp;?!\$,%</b>
AntiqueOlive-Italic	ABCDEF abcd ef 0123456789 &?!\$,%
AntiqueOlive-Roman	ABCDEF abcd ef 0123456789 &?!\$,%
Apple-Chancery	ABCDEF abcd ef 0123456789 &?!\$,%
Arial-BoldItalicMT	<b>ABCDEF abcd ef 0123456789 &amp;?!\$,%</b>
Arial-BoldMT	ABCDEF abcd ef 0123456789 &?!\$,%
Arial-ItalicMT	ABCDEF abcd ef 0123456789 &?!\$,%
ArialMT	ABCDEF abcd ef 0123456789 &?!\$,%
AvantGarde-Book	ABCDEF abcd ef 0123456789 &?!\$,%
AvantGarde-BookOblique	ABCDEF abcd ef 0123456789 &?!\$,%
AvantGarde-Demi	ABCDEF abcd ef 0123456789 &?!\$,%
AvantGarde-DemiOblique	ABCDEF abcd ef 0123456789 &?!\$,%
Bodoni	ABCDEF abcd ef 0123456789 &?!\$,%
Bodoni-Bold	ABCDEF abcd ef 0123456789 &?!\$,%
Bodoni-BoldItalic	ABCDEF abcd ef 0123456789 &?!\$,%
Bodoni-Italic	ABCDEF abcd ef 0123456789 &?!\$,%
Bodoni-Poster	<b>ABCDEF abcd ef 0123456789 &amp;?!\$,%</b>
Bodoni-PosterCompressed	ABCDEF abcd ef 0123456789 &?!\$,%
Bookman-Demi	ABCDEF abcd ef 0123456789 &?!\$,%
Bookman-DemiItalic	ABCDEF abcd ef 0123456789 &?!\$,%
Bookman-Light	ABCDEF abcd ef 0123456789 &?!\$,%
Bookman-LightItalic	ABCDEF abcd ef 0123456789 &?!\$,%
Carta	*!@# \$%&'()*+,-./:;<=>?@A B C D E F G H I J K L M N O P Q R S T U V W X Y Z [ \ ] ^ _ ` a b c d e f g h i j k l m n o p q r s t u v w x y z {   } ~ ¡ ¢ £ ¤ ¥ ¦ § ¨ © ª « ¬ ® ¯ ° ± ² ³ ´ µ ¶ · ¸ ¹ º » ¼ ½ ¾ ¿
Chicago	ABCDEF abcd ef 0123456789 &?!\$,%
Clarendon	ABCDEF abcd ef 0123456789 &?!\$,%
Clarendon-Bold	ABCDEF abcd ef 0123456789 &?!\$,%
Clarendon-Light	ABCDEF abcd ef 0123456789 &?!\$,%
CooperBlack	<b>ABCDEF abcd ef 0123456789 &amp;?!\$,%</b>
CooperBlack-Italic	<b>ABCDEF abcd ef 0123456789 &amp;?!\$,%</b>
Copperplate-ThirtyThreeBC	ABCDEF ABCDEF 0123456789 &?!\$,%
Copperplate-ThirtyTwoBC	ABCDEF ABCDEF 0123456789 &?!\$,%
Coronet-Regular	ABCDEF abcd ef 0123456789 &?!\$,%
Courier	ABCDEF abcd ef 0123456789 &?!\$,%
Courier-Bold	ABCDEF abcd ef 0123456789 &?!\$,%
Courier-BoldOblique	ABCDEF abcd ef 0123456789 &?!\$,%
Courier-Oblique	ABCDEF abcd ef 0123456789 &?!\$,%
Eurostile	ABCDEF abcd ef 0123456789 &?!\$,%
Eurostile-Bold	<b>ABCDEF abcd ef 0123456789 &amp;?!\$,%</b>
Eurostile-BoldExtendedTwo	<b>ABCDEF abcd ef 0123456789 &amp;?!\$,%</b>
Eurostile-ExtendedTwo	ABCDEF abcd ef 0123456789 &?!\$,%
Geneva	ABCDEF abcd ef 0123456789 &?!\$,%
GillSans	ABCDEF abcd ef 0123456789 &?!\$,%
GillSans-Bold	ABCDEF abcd ef 0123456789 &?!\$,%
GillSans-BoldCondensed	ABCDEF abcd ef 0123456789 &?!\$,%
GillSans-BoldItalic	ABCDEF abcd ef 0123456789 &?!\$,%
GillSans-Condensed	ABCDEF abcd ef 0123456789 &?!\$,%
GillSans-ExtraBold	<b>ABCDEF abcd ef 0123456789 &amp;?!\$,%</b>
GillSans-Italic	ABCDEF abcd ef 0123456789 &?!\$,%
GillSans-Light	ABCDEF abcd ef 0123456789 &?!\$,%
GillSans-LightItalic	ABCDEF abcd ef 0123456789 &?!\$,%
Goudy	ABCDEF abcd ef 0123456789 &?!\$,%
Goudy-Bold	ABCDEF abcd ef 0123456789 &?!\$,%
Goudy-BoldItalic	ABCDEF abcd ef 0123456789 &?!\$,%
Goudy-ExtraBold	ABCDEF abcd ef 0123456789 &?!\$,%
Goudy-Italic	ABCDEF abcd ef 0123456789 &?!\$,%
GreekMono737	ABCDEF abcd ef 0123456789 &?!\$,%
GreekMono737-Bold	<b>ABCDEF abcd ef 0123456789 &amp;?!\$,%</b>
GreekMono737-BoldItalic	<b>ABCDEF abcd ef 0123456789 &amp;?!\$,%</b>
GreekMono737-Italic	ABCDEF abcd ef 0123456789 &?!\$,%
GreekMono851	ABCDEF abcd ef 0123456789 &?!\$,%
GreekMono851-Bold	<b>ABCDEF abcd ef 0123456789 &amp;?!\$,%</b>
GreekMono851-BoldItalic	<b>ABCDEF abcd ef 0123456789 &amp;?!\$,%</b>
GreekMono851-Italic	ABCDEF abcd ef 0123456789 &?!\$,%
GreekMono8859-7	ABCDEF abcd ef 0123456789 &?!\$,%
GreekMono8859-7Bold	<b>ABCDEF abcd ef 0123456789 &amp;?!\$,%</b>

# PostScript-Schriftartenliste

## Interne Schriftarten (Fortsetzung):

GreekMono8859-7BoldItalic	<b>ABCDEF G abcdefg 0123456789 &amp;?!\$.,</b>
GreekMono8859-7Italic	<i>ABCDEF G abcdefg 0123456789 &amp;?!\$.,</i>
GreekSans737	<b>ABCDEF G abcdefg 0123456789 &amp;?!\$.,</b>
GreekSans737-Bold	<b>ABCDEF G abcdefg 0123456789 &amp;?!\$.,</b>
GreekSans737-BoldItalic	<b>ABCDEF G abcdefg 0123456789 &amp;?!\$.,</b>
GreekSans737-Italic	<i>ABCDEF G abcdefg 0123456789 &amp;?!\$.,</i>
GreekSans851	<b>ABCDEF G abcdefg 0123456789 &amp;?!\$.,</b>
GreekSans851-Bold	<b>ABCDEF G abcdefg 0123456789 &amp;?!\$.,</b>
GreekSans851-BoldItalic	<b>ABCDEF G abcdefg 0123456789 &amp;?!\$.,</b>
GreekSans851-Italic	<i>ABCDEF G abcdefg 0123456789 &amp;?!\$.,</i>
GreekSans8859-7	<b>ABCDEF G abcdefg 0123456789 &amp;?!\$.,</b>
GreekSans8859-7Bold	<b>ABCDEF G abcdefg 0123456789 &amp;?!\$.,</b>
GreekSans8859-7BoldItalic	<b>ABCDEF G abcdefg 0123456789 &amp;?!\$.,</b>
GreekSans8859-7Italic	<i>ABCDEF G abcdefg 0123456789 &amp;?!\$.,</i>
GreekSerif737	<b>ABCDEF G abcdefg 0123456789 &amp;?!\$.,</b>
GreekSerif737-Bold	<b>ABCDEF G abcdefg 0123456789 &amp;?!\$.,</b>
GreekSerif737-BoldItalic	<b>ABCDEF G abcdefg 0123456789 &amp;?!\$.,</b>
GreekSerif737-Italic	<i>ABCDEF G abcdefg 0123456789 &amp;?!\$.,</i>
GreekSerif851	<b>ABCDEF G abcdefg 0123456789 &amp;?!\$.,</b>
GreekSerif851-Bold	<b>ABCDEF G abcdefg 0123456789 &amp;?!\$.,</b>
GreekSerif851-BoldItalic	<b>ABCDEF G abcdefg 0123456789 &amp;?!\$.,</b>
GreekSerif851-Italic	<i>ABCDEF G abcdefg 0123456789 &amp;?!\$.,</i>
GreekSerif8859-7	<b>ABCDEF G abcdefg 0123456789 &amp;?!\$.,</b>
GreekSerif8859-7Bold	<b>ABCDEF G abcdefg 0123456789 &amp;?!\$.,</b>
GreekSerif8859-7BoldItalic	<b>ABCDEF G abcdefg 0123456789 &amp;?!\$.,</b>
GreekSerif8859-7Italic	<i>ABCDEF G abcdefg 0123456789 &amp;?!\$.,</i>
Helvetica	<b>ABCDEF G abcdefg 0123456789 &amp;?!\$.,€</b>
Helvetica-Bold	<b>ABCDEF G abcdefg 0123456789 &amp;?!\$.,€</b>
Helvetica-BoldOblique	<b>ABCDEF G abcdefg 0123456789 &amp;?!\$.,€</b>
Helvetica-Condensed	<b>ABCDEF G abcdefg 0123456789 &amp;?!\$.,€</b>
Helvetica-Condensed-Bold	<b>ABCDEF G abcdefg 0123456789 &amp;?!\$.,€</b>
Helvetica-Condensed-BoldObl	<b>ABCDEF G abcdefg 0123456789 &amp;?!\$.,€</b>
Helvetica-Condensed-Oblique	<b>ABCDEF G abcdefg 0123456789 &amp;?!\$.,€</b>
Helvetica-Narrow	<b>ABCDEF G abcdefg 0123456789 &amp;?!\$.,€</b>
Helvetica-Narrow-Bold	<b>ABCDEF G abcdefg 0123456789 &amp;?!\$.,€</b>
Helvetica-Narrow-BoldOblique	<b>ABCDEF G abcdefg 0123456789 &amp;?!\$.,€</b>
Helvetica-Narrow-Oblique	<b>ABCDEF G abcdefg 0123456789 &amp;?!\$.,€</b>
Helvetica-Oblique	<b>ABCDEF G abcdefg 0123456789 &amp;?!\$.,€</b>
HoeflerText-Black	<b>ABCDEF G abcdefg 0123456789 &amp;?!\$.,€</b>
HoeflerText-BlackItalic	<b>ABCDEF G abcdefg 0123456789 &amp;?!\$.,€</b>
HoeflerText-Italic	<i>ABCDEF G abcdefg 0123456789 &amp;?!\$.,€</i>
HoeflerText-Ornaments	
HoeflerText-Regular	<b>ABCDEF G abcdefg 0123456789 &amp;?!\$.,€</b>
JoannaMT	<b>ABCDEF G abcdefg 0123456789 &amp;?!\$.,€</b>
JoannaMT-Bold	<b>ABCDEF G abcdefg 0123456789 &amp;?!\$.,€</b>
JoannaMT-BoldItalic	<b>ABCDEF G abcdefg 0123456789 &amp;?!\$.,€</b>
JoannaMT-Italic	<i>ABCDEF G abcdefg 0123456789 &amp;?!\$.,€</i>
LetterGothic	<b>ABCDEF G abcdefg 0123456789 &amp;?!\$.,€</b>
LetterGothic-Bold	<b>ABCDEF G abcdefg 0123456789 &amp;?!\$.,€</b>
LetterGothic-BoldSlanted	<b>ABCDEF G abcdefg 0123456789 &amp;?!\$.,€</b>
LetterGothic-Slanted	<i>ABCDEF G abcdefg 0123456789 &amp;?!\$.,€</i>
LubalinGraph-Book	<b>ABCDEF G abcdefg 0123456789 &amp;?!\$.,€</b>
LubalinGraph-BookOblique	<b>ABCDEF G abcdefg 0123456789 &amp;?!\$.,€</b>
LubalinGraph-Demi	<b>ABCDEF G abcdefg 0123456789 &amp;?!\$.,€</b>
LubalinGraph-DemiOblique	<b>ABCDEF G abcdefg 0123456789 &amp;?!\$.,€</b>
Marigold	<b>ABCDEF G abcdefg 0123456789 &amp;?!\$.,€</b>
MonaLisa-Recut	<b>ABCDEF G abcdefg 0123456789 &amp;?!\$.,€</b>
Monaco	<b>ABCDEF G abcdefg 0123456789 &amp;?!\$.,€</b>
NewCenturySchlbc-Bold	<b>ABCDEF G abcdefg 0123456789 &amp;?!\$.,€</b>
NewCenturySchlbc-BoldItalic	<b>ABCDEF G abcdefg 0123456789 &amp;?!\$.,€</b>
NewCenturySchlbc-Italic	<i>ABCDEF G abcdefg 0123456789 &amp;?!\$.,€</i>
NewCenturySchlbc-Roman	<b>ABCDEF G abcdefg 0123456789 &amp;?!\$.,€</b>
NewYork	<b>ABCDEF G abcdefg 0123456789 &amp;?!\$.,€</b>
Optima	<b>ABCDEF G abcdefg 0123456789 &amp;?!\$.,€</b>
Optima-Bold	<b>ABCDEF G abcdefg 0123456789 &amp;?!\$.,€</b>
Optima-BoldItalic	<b>ABCDEF G abcdefg 0123456789 &amp;?!\$.,€</b>
Optima-Italic	<i>ABCDEF G abcdefg 0123456789 &amp;?!\$.,€</i>
Oxford	<b>ABCDEF G abcdefg 0123456789 &amp;?!\$.,€</b>
Palatino-Bold	<b>ABCDEF G abcdefg 0123456789 &amp;?!\$.,€</b>

# PostScript-Schriftartenliste

## Interne Schriftarten (Fortsetzung):

Palatino-BoldItalic	ABCDEF G abcdefg 0123456789 &?!\$,€
Palatino-Italic	ABCDEF G abcdefg 0123456789 &?!\$,€
Palatino-Roman	ABCDEF G abcdefg 0123456789 &?!\$,€
StempelGaramond-Bold	ABCDEF G abcdefg 0123456789 &?!\$,€
StempelGaramond-BoldItalic	ABCDEF G abcdefg 0123456789 &?!\$,€
StempelGaramond-Italic	ABCDEF G abcdefg 0123456789 &?!\$,€
StempelGaramond-Roman	ABCDEF G abcdefg 0123456789 &?!\$,€
Symbol	ΑΒΧΔΕΦΓ αβγδεϕγ 0123456789 &?!\$,€
Tekton	ABCDEF G abcdefg 0123456789 &?!\$,€
Times-Bold	ABCDEF G abcdefg 0123456789 &?!\$,€
Times-BoldItalic	ABCDEF G abcdefg 0123456789 &?!\$,€
Times-Italic	ABCDEF G abcdefg 0123456789 &?!\$,€
Times-Roman	ABCDEF G abcdefg 0123456789 &?!\$,€
TimesNewRomanPS-BoldItalicMT	ABCDEF G abcdefg 0123456789 &?!\$,€
TimesNewRomanPS-BoldMT	ABCDEF G abcdefg 0123456789 &?!\$,€
TimesNewRomanPS-ItalicMT	ABCDEF G abcdefg 0123456789 &?!\$,€
TimesNewRomanPSMT	ABCDEF G abcdefg 0123456789 &?!\$,€
Univers	ABCDEF G abcdefg 0123456789 &?!\$,€
Univers-Bold	ABCDEF G abcdefg 0123456789 &?!\$,€
Univers-BoldExt	ABCDEF G abcdefg 0123456789 &?!\$,€
Univers-BoldExtObl	ABCDEF G abcdefg 0123456789 &?!\$,€
Univers-BoldOblique	ABCDEF G abcdefg 0123456789 &?!\$,€
Univers-Condensed	ABCDEF G abcdefg 0123456789 &?!\$,€
Univers-CondensedBold	ABCDEF G abcdefg 0123456789 &?!\$,€
Univers-CondensedBoldOblique	ABCDEF G abcdefg 0123456789 &?!\$,€
Univers-CondensedOblique	ABCDEF G abcdefg 0123456789 &?!\$,€
Univers-Extended	ABCDEF G abcdefg 0123456789 &?!\$,€
Univers-ExtendedObl	ABCDEF G abcdefg 0123456789 &?!\$,€
Univers-Light	ABCDEF G abcdefg 0123456789 &?!\$,€
Univers-LightOblique	ABCDEF G abcdefg 0123456789 &?!\$,€
Univers-Oblique	ABCDEF G abcdefg 0123456789 &?!\$,€
Wingdings	ⒶⒷⒸⒹⒺⒻⒼⒽⒾⒿⓀⓁⓂⓃⓅⓆⓇⓈⓉⓊⓗⓉⓊⓋⓌⓍⓎⓏⓐⓑⓔⓕⓖⓗⓘⓙⓜⓝⓞⓟⓠⓡⓢⓣⓤⓥⓦⓧⓨⓩ⓪⓫⓬⓭⓮⓯⓰⓱⓲⓳⓴⓵⓶⓷⓸⓹⓺⓻⓼⓽⓾⓿ⓠⓡⓢⓣⓤⓥⓦⓧⓨⓩ⓪⓫⓬⓭⓮⓯⓰⓱⓲⓳⓴⓵⓶⓷⓸⓹⓺⓻⓼⓽⓾⓿
Wingdings-Regular	ⒶⒷⒸⒹⒺⒻⒼⒽⒾⒿⓀⓁⓂⓃⓅⓆⓇⓈⓉⓊⓗⓉⓊⓋⓌⓍⓎⓏⓐⓑⓔⓕⓖⓗⓘⓙⓜⓝⓞⓟⓠⓡⓢⓣⓤⓥⓦⓧⓨⓩ⓪⓫⓬⓭⓮⓯⓰⓱⓲⓳⓴⓵⓶⓷⓸⓹⓺⓻⓼⓽⓾⓿
ZapfChancery-MediumItalic	ABCDEF G abcdefg 0123456789 &?!\$,€
ZapfDingbats	ⓈⓉⓊⓗⓉⓊⓋⓌⓍⓎⓏⓐⓑⓔⓕⓖⓗⓘⓙⓜⓝⓞⓟⓠⓡⓢⓣⓤⓥⓦⓧⓨⓩ⓪⓫⓬⓭⓮⓯⓰⓱⓲⓳⓴⓵⓶⓷⓸⓹⓺⓻⓼⓽⓾⓿



**Dati utente comuni**

Nome macchina:	Xerox AltaLink B8255 MFP (A2:6E:B8)
Indirizzo IP:	10.61.16.41
Numero di serie macchina:	ZQV624005
Linea fax 1:	
URL macchina:	https://10.61.16.41
Data di attivazione macchina:	Feb 28, 2025 12:23:30
Totale impressioni:	4257

**Profilo macchina**

Targhetta parte Xerox	
Targhetta parte cliente	
Numero di telefono assistenza:	
Numero assistenza clienti:	
Numero di telefono materiali di cons...	
Amministratore di sistema:	Non impostato
Posizione macchina:	Posizione macchina non impostata
<b>Gestito da</b>	
Server MB primario:	10.15.46.133:80

**Hardware macchina**

Scheda fax:	Assente
Dimensioni memoria FAX:	0 MB
Scheda interfaccia esterna:	non presente
Dimensioni RAM dispositivo:	4096 MB
Spazio di archiviazione dispositivo:	usata=3285MB/totale=256060MB (SSD)
Dimensioni memoria EPC:	900 MB
Tipo di staz. di finitura:	Vassoio a sfalsamento
Perforatrice staz. di finitura	No
Piegatrice della stazione di finitura:	non presente
Kit di rilevamento alimentazione mul...	Non installata

**Impostazione generale**

Servizi remoti:	Abilitato/a
Download software remoto:	Abilitato/a
Tempo trasmis. Servizi Ora:	15:45
Xerox Workplace Cloud	Abilitato/a
Avvisi e-mail:	Disabilitato/a
Piano di assistenza:	Piano attivato
Modo impressioni fatturate:	Impressioni A3
Regione geografica	Sconosciuto
Sfalsamento GMT:	+05:30
Installazione clonazione	Consentito (solo file crittografati)
Condivisione file	Abilitato/a
JBIG2	Senza perdita di dati
<b>Risparmio energetico</b>	
Economizzatore:	Disabilitato/a
Modo risparmio energetico:	Attivato dal lavoro
<b>Sensore di prossimità intelli...</b>	
Riattiva all'avvicinamento:	Abilitato/a
Sospendi all'allontanamento:	Disabilitato/a

**Versioni software**

Software dispositivo:	122.041.005.08500
Versione patch:	No
Controller di rete:	122.041.08500
Firmware pannello IU:	003.005.00000
Motore di contrassegno:	072.001.000
Alimentatore automatico:	023.026.000
Stazione di finitura:	000.000.000
Fax:	000.000.000
Scanner:	017.024.014
<b>Aggiornamenti macchina:</b>	
Ultimo aggiornamento riuscito:	Consentito
	Marzo 28, 2025 17:42:58

**Vassoi carta**

Vassoio 1:	Standard, Bianco and Letter (8,5 x 1...
Vassoio 2:	Standard, Bianco and A4 (210 x 297 mm)
Vassoio 3:	Standard, Bianco and Letter (8,5 x 1...
Vassoio 4:	Standard, Bianco and Letter (8,5 x 1...
Vassoio bypass:	Standard, Bianco and x=483mm, y=320mm

**Opzioni installate**

PS:	Installata
-----	------------

**Connettività****Flussi di lavoro mobili**

Stampa AirPrint:	Abilitato/a
Stampa Mopria:	Abilitato/a
Scansione AirPrint/Mopria	Abilitato/a
Autenticazione obbligatoria:	Disabilitato/a

**Connessione fisica**

<b>Impostazioni USB</b>	
Porte USB tipo A	Tutti abilitati
Porta USB tipo B	Abilitato/a
<b>Cablato:</b>	
Indirizzo MAC Ethernet:	Abilitato/a
Impostazione speed/duplex Ethernet:	9c:93:4e:a2:6e:b8
Wireless:	Impost. autom.
Indirizzo MAC wireless:	Disabilitato/a
Nome rete (SSID):	
BSSID:	
Modo sicurezza:	
Algoritmo di crittografia:	
Stato:	

**Wi-Fi Direct:**

Hardware wireless:	Abilitato/a
Wi-Fi Protected Setup (WPS)™ Name (WPS):	Non installata
Punto di accesso (SSID):	
Mostra password sullo schermo sensibile d...	

**NFC:**

iBeacon (Bluetooth®) per l'individuazione...	Abilitato/a
Hardware iBeacon:	Abilitato/a
Indirizzo dispositivo Bluetooth:	Non installata
Indirizzo IP iBeacon:	

**Protocolli****TCP/IPv4:**

Indirizzo IP:	Abilitato/a	10.61.16.41
Subnet mask:	Abilitato/a	255.255.255.0
Router/gateway:		10.61.16.1
Indirizzamento automatico:		STATIC
Server DHCP:		0.0.0.0
Scadenza lease DHCP:		
Broadcast BOOTP:	Disabilitato/a	
Stato indirizzi autoassegnati:	Abilitato/a	
Indirizzo autoassegnato:		

**TCP/IPv6:**

Indirizzo locale rispetto al collega...	Disabilitato/a
Usa prefisso router fornito:	Abilitato/a
Indirizzo globale stateless 1:	Abilitato/a
Indirizzo globale stateless 2:	Abilitato/a
Indirizzo manuale:	Abilitato/a
Creazione indirizzi DHCP:	Utilizza DHCP in base alle istruzioni del r...
Indirizzo DHCP:	
Gateway di default:	
DUID (Identificativo univoco DHCP):	

**Impostazioni DNS:**

Nome host obbligatorio:	XR9XC934EA26EB8
Nome host verificato:	
Nome dominio obbligatorio:	
Nome dominio verificato:	
DNS Multicast:	Abilitato/a
Rilascia registrazioni DNS e lease D...	Disabilitato/a
Server DNS primario:	::
Preferisci indirizzo DNS IPv6 rispetto a I...	Abilitato/a

**Bonjour:**

Nome stampante Bonjour:	Xerox AltaLink B8255 MFP (A2:6E:B8)
HTTP:	Abilitato/a
Forza traffico sulla connessione protetta...	Si
IPP:	Abilitato/a

**SNMP**

SNMP v1/v2:	Abilitato/a
SNMP v3:	Disabilitato/a

**LPR/LPD:**

Stampa IP semplice:	Abilitato/a
---------------------	-------------

**LDAP**

Server LDAP 1 - Indirizzo LDAP prima...	0.0.0.0:389
Server LDAP 1 - Directory principale di ric...	
Server LDAP 1 - Connessione protetta (L...	Disabilitato/a
Server LDAP 1 - Convalida certificato serv...	Disabilitato/a

**SMTP**

Server SMTP:	0.0.0.0:25
Crittografia connessione (TLS):	Nessuna crittografia
Convalida certificato server (TLS):	
Tipo di autenticazione SMTP:	Autenticazione di base con SMTP

**Protocolli (cont.)**

<b>POP3</b>	
Server POP3:	0.0.0.0:110
Connessione protetta POP3 (TLS):	Disabilitato/a
Convalida certificato server POP3:	
Indirizzo e-mail:	
<b>NTP:</b>	
Client FTP:	Disabilitato/a
Modo Client FTP:	Abilitato/a
Servizi Web sul dispositivo:	Passivo
	Abilitato/a

**App****Stampa**

Foglio di identificazione:	Disabilitato/a
Fogli di errore:	Abilitato/a
Sostituzione carta:	Abilitato/a
Priorità vassoio:	1,2,3,4,5
PostScript	Installato
Livello:	3
Versione:	3021.101
<b>PCL</b>	
Versione:	6
Nome font:	Courier
Tabelle colori personalizzate	Abilitato/a
Etichetta:	Non installata
<b>Fax:</b>	Assente

Linea fax 1:	
Linea fax 2:	
<b>Fax server:</b>	Abilitato/a
Protocollo archivio:	SMB
Server archivio:	10.61.23.93:445
Percorso archivio documenti:	/

**Scansione flusso di lavoro:**

<b>E-mail:</b>	Abilitato/a
<b>Scansione su mailbox:</b>	Abilitato/a
Capacità archivio (MB):	46924 MB
Archivio usato (MB):	2459 MB
Pulizia cartelle pubbliche:	Abilitato/a
Pulizia cartelle create:	Abilitato/a
Ora pulizia:	Ogni giorno

**Scansione su home:**

<b>Scansione su:</b>	Disabilitato/a
Servizi cloud:	Abilitato/a
<b>Stampa da:</b>	Disabilitato/a
Lavori salvati per ristampa:	Abilitato/a
Stampa da USB:	Abilitato/a
Stampa da mailbox:	Abilitato/a
Servizi cloud:	Disabilitato/a
	Disabilitato/a

**Contabilità**

Modalità di contabilità:	No
Contabilità di rete:	Disabilitato/a

**Protezione****Configurazione autenticazione**

Autenticazione IU macchina:	Localmente sul dispositivo
Casa:	Non bloccato
Lavori:	Non bloccato
Dispositivo:	Non bloccato
Autenticazione sito Web del disposit...	Localmente sul dispositivo
Autorizzazione:	Localmente sul dispositivo
Recupera e-mail da LDAP:	Abilitato/a
<b>Server di autenticazione:</b>	Kerberos
<b>Xerox Secure Access:</b>	Disabilitato/a
<b>Registro di controllo:</b>	Abilitato/a
<b>IPsec:</b>	Disabilitato/a
<b>Filtro IP:</b>	Disabilitato/a

**Certificati di protezione**

Certificato macchina:	Firmato
Certificati radice installati:	S6
<b>802.1x:</b>	Disabilitato/a

**Rimozione dati lavoro:**

Programmata:	Disabilitato/a
<b>FIPS 140-3:</b>	Disabilitato/a
<b>TLS:</b>	TLS 1.2 e TLS 1.3
Hash TLS:	SHA-1, SHA-256 e superiore
<b>Trellix Embedded Control:</b>	Protezione migliorata

**Contabilità**

Modalità di contabilità: No  
 Contabilità di rete: Disabilitato/a

**Protezione****Configurazione autenticazione**

Autenticazione IU macchina: Localmente sul dispositivo  
 Casa: Non bloccato  
 Lavori: Non bloccato  
 Dispositivo: Non bloccato  
 Autenticazione sito Web del disposit... Localmente sul dispositivo  
 Autorizzazione: Localmente sul dispositivo  
 Recupera e-mail da LDAP: Abilitato/a

**Server di autenticazione:**

Kerberos  
 Settore Kerberos primario:  
 Indirizzo Kerberos primario: 0.0.0.88  
 Settore Kerberos alt. 1:  
 Indirizzo Kerberos alt. 1: 0.0.0.88  
 Dominio NT SMB:  
 Dominio NT SMB alt. 1:  
 Server controllo Smartcard: 0.0.0.443  
 Dominio controllo Smartcard:  
 URL OCSP SmartCard:  
 Criteri di aggiornamento lettore sch... Abilitato/a  
 Versione firmware lettore schede:

**Xerox Secure Access:**

Disabilitato/a  
 Server accesso protetto: 0.0.0.443  
 Percorso accesso protetto:

**Registro di controllo:**

Abilitato/a  
 IPsec: Disabilitato/a  
 Filtro IP: Disabilitato/a

**Certificati di protezione**

Certificato macchina: Firmato  
 Certificati radice installati: 56

**802.1x:**

Disabilitato/a  
 Rimozione dati lavoro:  
 Programmato: Disabilitato/a  
 Frequenza programmata:

**FIPS 140-3:**

Disabilitato/a

**TLS:**

Hash TLS: TLS 1.2 e TLS 1.3  
 SHA-1, SHA-256 e superiore

**Trellix Embedded Control:**

Protezione migliorata

**Impostazione servizio estensibile**

Browser di terza generazione: X3G\_3.24.23\_2.40.5\_011\_01.00.00  
 Versione Widget: v1.3.17 c8 20140613  
 Versione Widget: v2.5.04 g9 20240123



# Riepilogo fatturazione

## Informazioni sul sistema

Nome macchina: Xerox AltaLink B8255 MFP (A2:6E:B8)  
Numero di serie macchina: ZQV624005  
Impressioni dall'avvio: 128

**Versioni software**  
Software dispositivo: 122.041.005.08500  
Versione patch: No  
Controller di rete: 122.041.08500  
Firmware pannello IU: 003.005.00000  
Motore di stampa: 072.001.000  
Alimentatore automatico: 023.026.000  
Stazione di finitura: 000.000.000  
Fax: 000.000.000  
Scanner: 017.024.014

---

## Contatori di fatturazione

### Fax

Immagini Fax incorporato inviate: 0  
Impressioni fax incorporato: 0

### Copia

Impressioni in bianco e nero create: 836

### Stampa

Impressioni in bianco e nero stampate: 3318

### Scansione

Immagini scansione di rete inviate: 361  
Immagini e-mail inviate: 1

## Totali dispositivi

Impressioni totali: 4257

Carta normale: 446  
Carta patinata lucida: 3  
Carta pesante lucida: 4

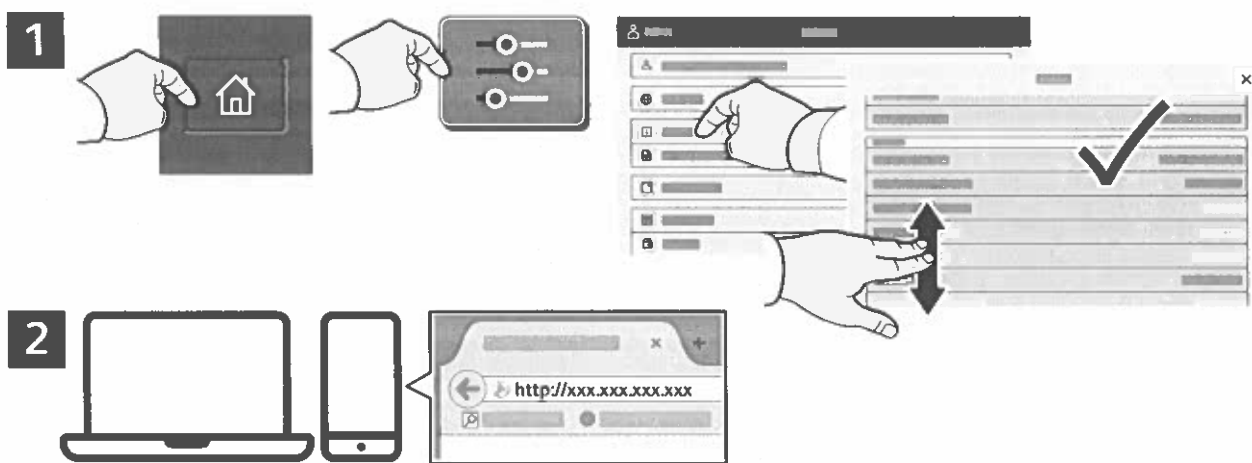


## Server web integrato

Il Server web integrato di Xerox® consente di accedere alle informazioni di configurazione della stampante, allo stato della carta e dei materiali di consumo, allo stato dei lavori e alle funzioni di diagnostica su una rete. È inoltre possibile gestire fax, e-mail e rubriche.

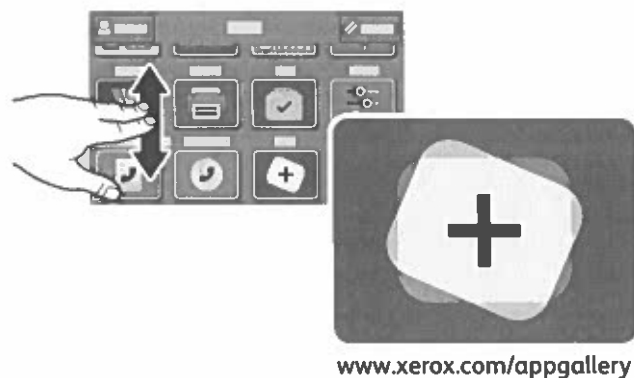
Per eseguire la connessione, digitare l'indirizzo IP della stampante in un browser Web. L'indirizzo di rete IPv4 è disponibile sul pannello comandi dello schermo sensibile. Toccare l'app **Dispositivo** > **Informazioni su**, quindi scorrere in basso.

Per informazioni dettagliate sul Server web integrato, fare riferimento alla *Guida per l'utente* disponibile su Xerox.com.



## App Gallery

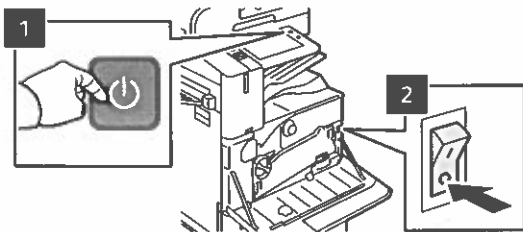
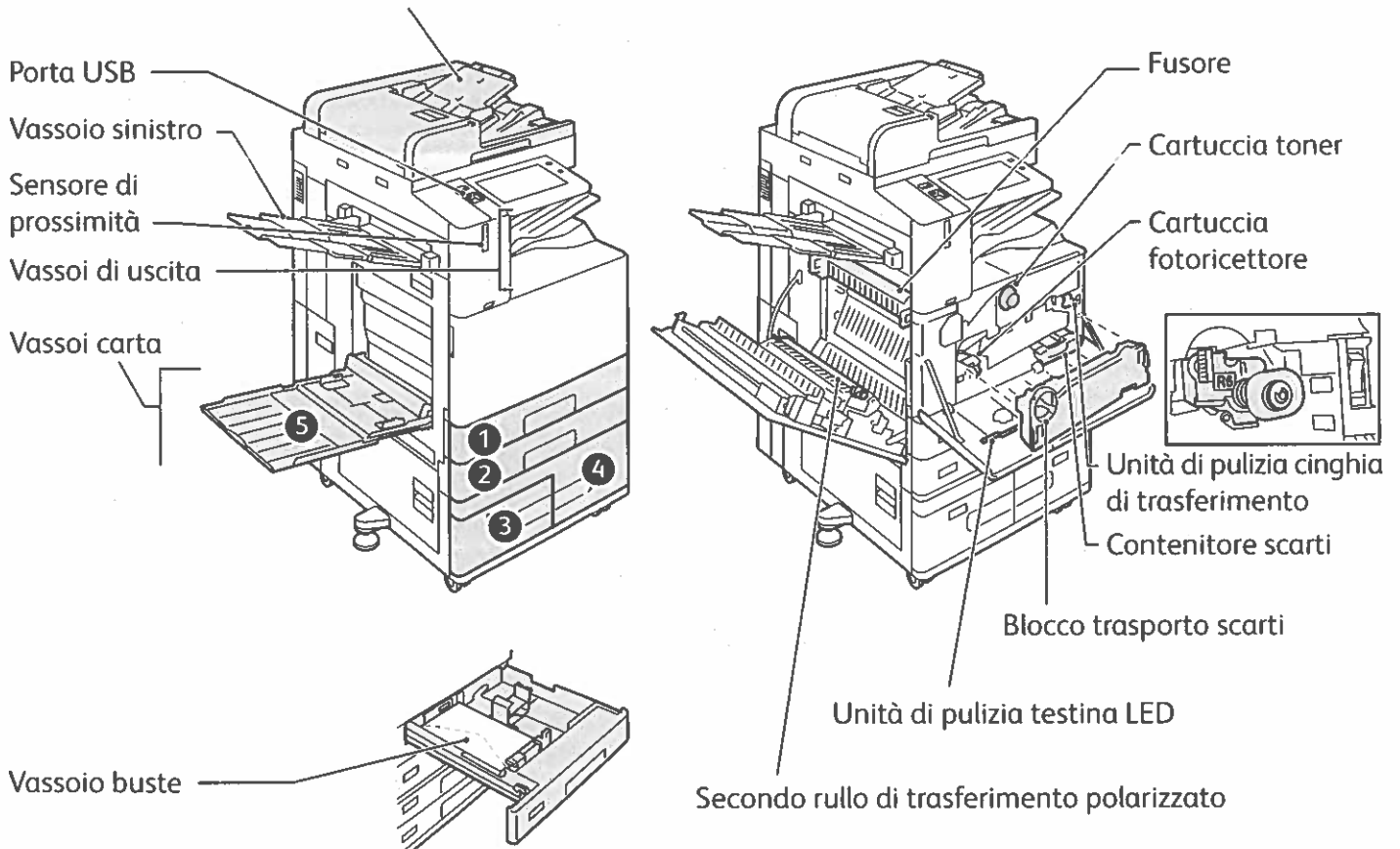
La Xerox App Gallery contiene una sempre crescente raccolta di app per la produttività che è possibile installare sulla propria stampante. Trovare l'app sulla schermata principale e creare il proprio ID di accesso direttamente, oppure andare su [www.xerox.com/appgallery](http://www.xerox.com/appgallery) per accedere e aggiungere il proprio dispositivo. Per semplificare l'installazione delle app, utilizzare lo stesso nome per le credenziali di accesso alla app gallery di quello utilizzato per accedere alla stampante.



## Panoramica della stampante

La stampante può includere accessori opzionali. Per informazioni dettagliate, fare riferimento alla *Guida per l'utente*.

Alimentatore automatico fronte/retro (DADF) a singolo passaggio



Per riavviare la stampante, sul pannello comandi premere l'**interruttore di alimentazione secondario (1)**.

Per spegnere completamente la stampante, premere l'**interruttore di alimentazione secondario (1)**. Dietro la copertura anteriore, premere l'**interruttore di alimentazione principale (2)**.

Per selezionare il modo Economizzatore, premere l'**interruttore di alimentazione secondario (1)**. Sullo schermo sensibile del pannello comandi della stampante, toccare un'opzione.

## Gestione della carta

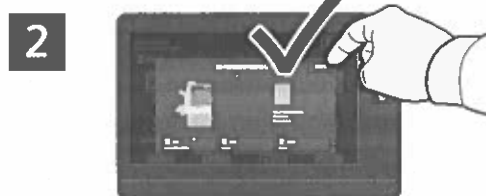
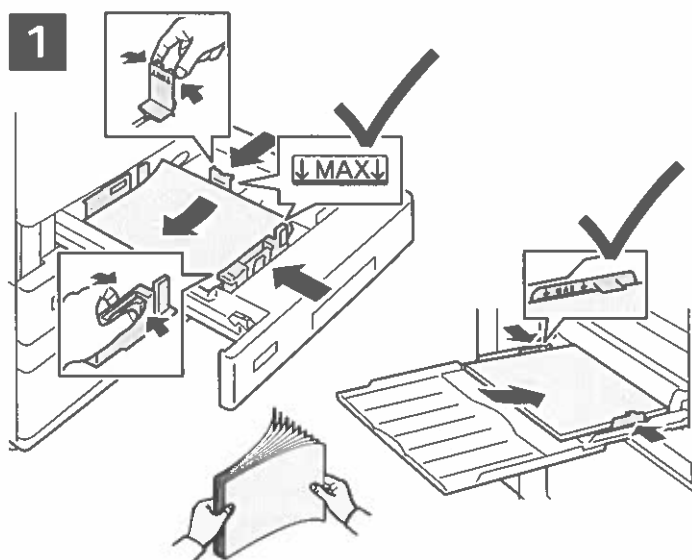
Per l'elenco completo della carta idonea per la stampante, fare riferimento al Recommended Media List (Elenco dei supporti consigliati) agli indirizzi seguenti:

[www.xerox.com/rmlna](http://www.xerox.com/rmlna) (USA e Canada)

[www.xerox.com/rmleu](http://www.xerox.com/rmleu) (Europa)

Per informazioni dettagliate sui vassoi e la carta, fare riferimento alla *Guida per l'utente*.

## Caricamento della carta



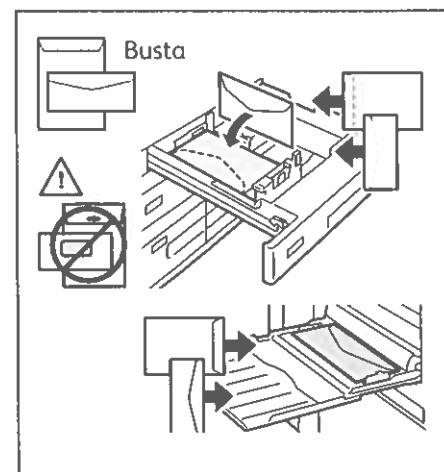
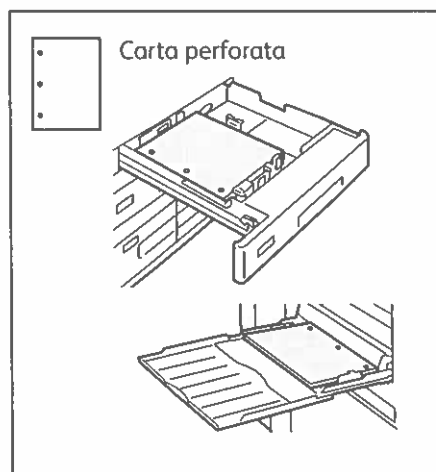
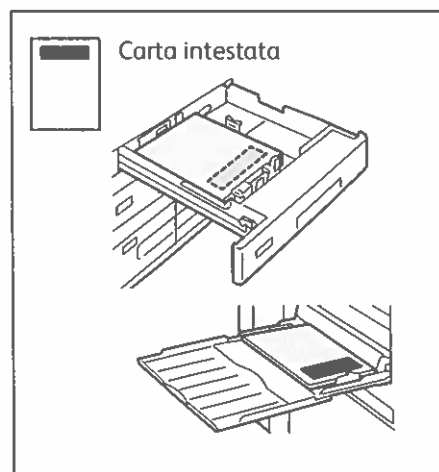
Confermare o modificare le impostazioni per formato, tipo e colore, se necessario.



Durante la stampa, selezionare le opzioni nel driver di stampa.

Per ottenere risultati ottimali, smazzare la carta prendendola per i bordi. Regolare le guide in base al formato della carta. Non caricare carta oltre la linea di riempimento massimo.

## Orientamento della carta



# Copia

Per informazioni dettagliate, fare riferimento alla *Guida per l'utente*.

1



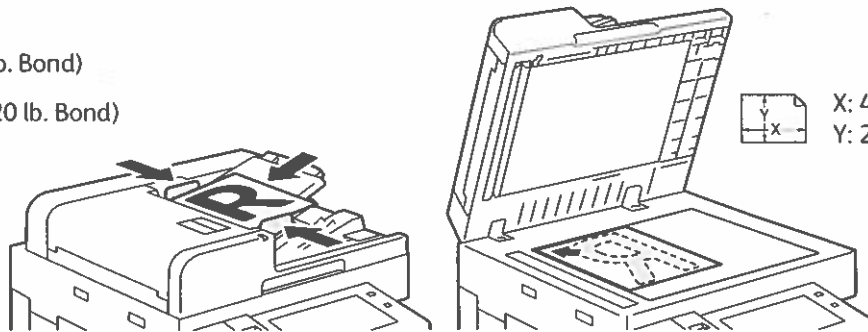
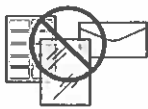
X: 85–432 mm (3,3–17 poll.)  
Y: 125–297 mm (4,9–11,7 poll.)



38–128 g/m<sup>2</sup>  
(26 lb. Text–34 lb. Bond)



≤130 (80 g/m<sup>2</sup>, 20 lb. Bond)  
B8270: ≤250



X: 432 mm (17 poll.)  
Y: 297 mm (11,7 poll.)

Caricare i documenti originali.

2

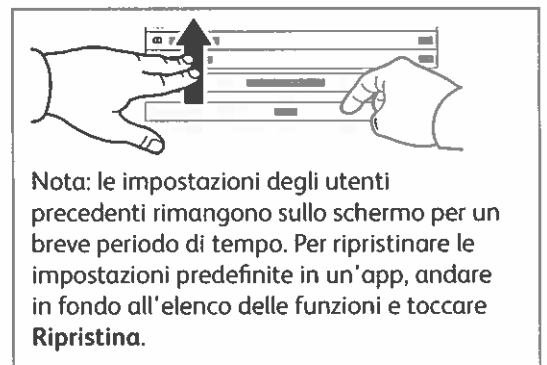


Toccare **Copia** e selezionare il numero di copie.

3



Selezionare le impostazioni delle funzioni dall'elenco e toccare **Avvio**.



Nota: le impostazioni degli utenti precedenti rimangono sullo schermo per un breve periodo di tempo. Per ripristinare le impostazioni predefinite in un'app, andare in fondo all'elenco delle funzioni e toccare **Ripristina**.

## Scansione e invio tramite e-mail

Se la stampante è connessa a una rete, è possibile selezionare una destinazione per l'immagine scansionata sul pannello comandi della stampante.

Questa guida illustra tecniche di scansione dei documenti che non richiedono impostazioni speciali:

- Scansione di documenti su un indirizzo e-mail.
- Scansione di documenti su un Preferito salvato, un elenco di rubrica o un'unità flash USB.
- Scansione di documenti nella Cartella pubblica di default del disco rigido della stampante e loro recupero mediante il browser Web.

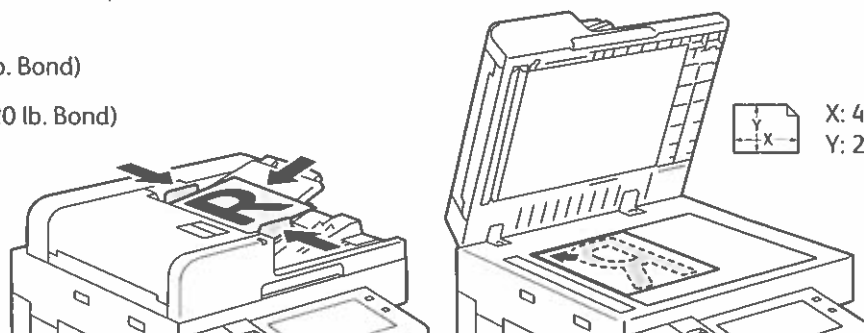
Per informazioni dettagliate e ulteriori impostazioni di scansione, fare riferimento alla *Guida per l'utente*. Per informazioni dettagliate sull'impostazione della rubrica e del modello del flusso di lavoro, fare riferimento alla *System Administrator Guide* (Guida per l'amministratore del sistema).

1

 X: 85–432 mm (3,3–17 poll.)  
Y: 125–297 mm (4,9–11,7 poll.)

 38–128 g/m<sup>2</sup>  
(26 lb. Text–34 lb. Bond)

 ≤130 (80 g/m<sup>2</sup>, 20 lb. Bond)  
B8270: ≤250



Caricare i documenti originali.

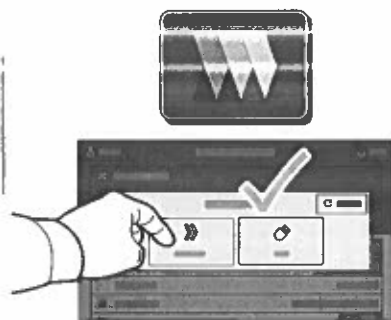
2



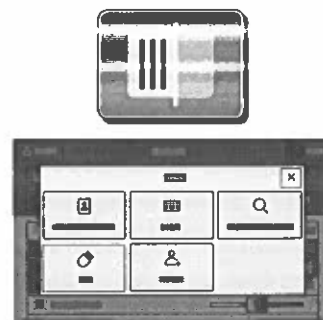
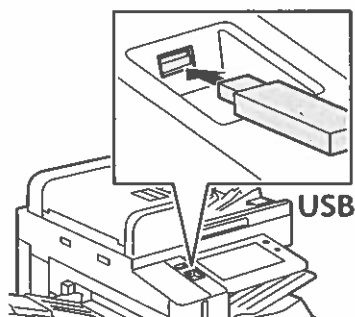
Premere **Home**, quindi, per inviare la scansione tramite e-mail, toccare **E-mail**. Per eseguire la scansione nella **Cartella pubblica predefinita** o su un'unità flash USB, toccare **Scansione flusso di lavoro**. Se la destinazione di scansione è memorizzata nella Rubrica indirizzi o salvata come Preferita, toccare **Scansione su**.



Per E-mail, toccare **Inserimento manuale**, digitare l'indirizzo e-mail utilizzando il tastierino dello schermo sensibile, quindi selezionare **Aggiungi**. Per aggiungere più indirizzi e-mail all'elenco, toccare **Aggiungi destinatario**. Per digitare un oggetto per l'e-mail, toccare **Oggetto**. Per selezionare gli indirizzi e-mail salvati, utilizzare la Rubrica dispositivo o selezionarli dai Preferiti.



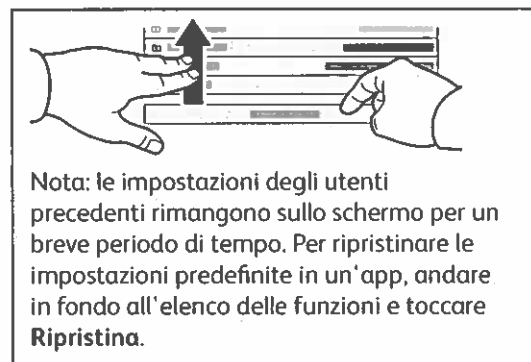
Per Scansione flusso di lavoro, toccare **Cartella pubblica predefinita** o inserire l'unità flash USB.



Per Scansione su, selezionare un tipo di destinazione e inserire le informazioni appropriate. Per aggiungere più di una destinazione all'elenco, selezionare **Aggiungi destinazione**.

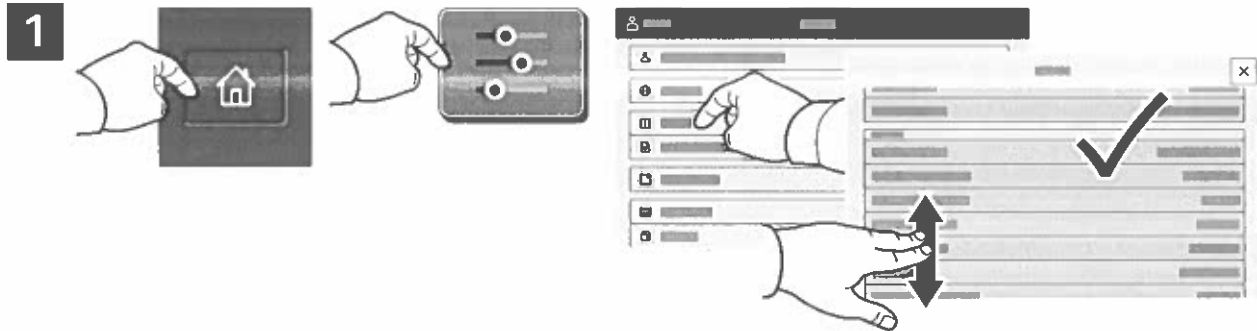


Modificare le impostazioni secondo necessità, quindi toccare **Scansione** oppure per E-mail, selezionare **Invia**.

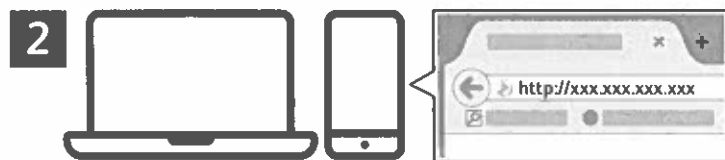


# Recupero dei file di scansione

Per scaricare le immagini scansionate dalla Cartella pubblica predefinita sulla stampante, utilizzare il server Web incorporato. Nel server Web incorporato è possibile configurare le cartelle personali e i modelli di scansione flusso di lavoro. Per i dettagli, consultare la *Guida per l'utente*.



Osservare l'indirizzo IP della stampante sullo schermo sensibile. Se l'Indirizzo IP non viene visualizzato nella parte superiore dello schermo sensibile, premere Home, toccare **Dispositivo > Informazioni su**, quindi scorrere per controllare l'Indirizzo IP.



In un browser Web, digitare l'indirizzo IP della stampante, quindi selezionare **Invio**.



Fare clic sulla scheda **Scansione**.

4



Selezionare Cartella pubblica predefinita, quindi individuare la scansione desiderata nell'elenco. Per scaricare la scansione, fare clic su Vai.

Per aggiornare l'elenco, fare clic su **Aggiorna la vista**.

Per salvare il file sul proprio computer, selezionare **Scarica**.  
Per stampare nuovamente il file salvato, selezionare **Ristampa**.  
Per eliminare definitivamente il lavoro archiviato, selezionare **Cancella**.  
Per aprire una directory, selezionare **Apri**.

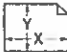
## Invio tramite fax


È possibile inviare un fax in quattro modi diversi:

- **Fax:** esegue la scansione e invia direttamente il documento a un apparecchio fax.
- **Fax server:** il documento viene scansionato e inviato a un server fax, che quindi lo invia a un apparecchio fax.
- **Internet fax:** il documento viene scansionato e inviato tramite e-mail a un destinatario.
- **LAN Fax:** invia il lavoro di stampa corrente come fax.

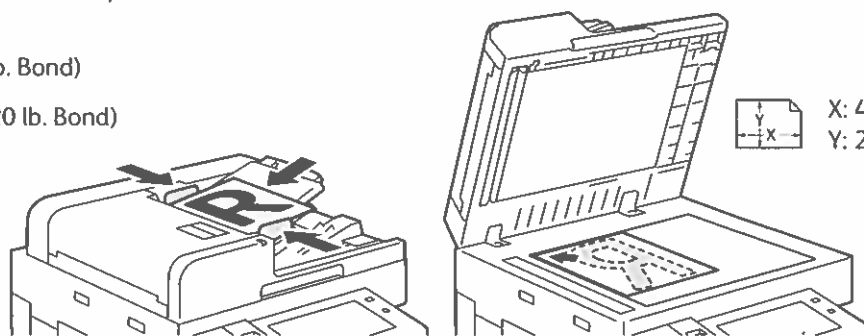
Per informazioni dettagliate, fare riferimento alla *Guida per l'utente*. Per ulteriori istruzioni su LAN Fax, fare riferimento al software del driver di stampa. Per informazioni dettagliate su impostazioni avanzate e configurazione del fax, fare riferimento alla *System Administrator Guide* (Guida per l'amministratore del sistema).


1

 X: 85–432 mm (3,3–17 poll.)  
Y: 125–297 mm (4,9–11,7 poll.)

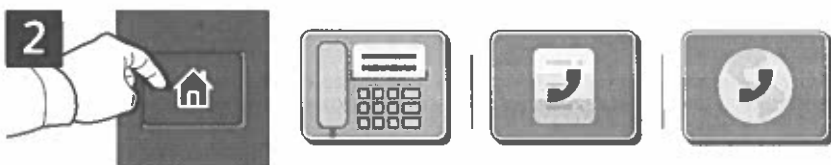
 38–128 g/m<sup>2</sup>  
(26 lb. Text–34 lb. Bond)

 ≤130 (80 g/m<sup>2</sup>, 20 lb. Bond)  
B8270: ≤250



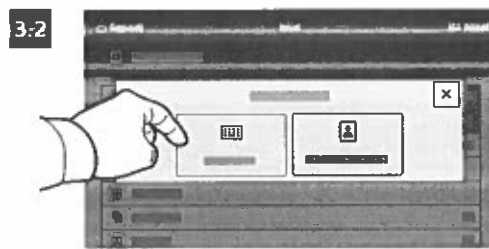
 X: 432 mm (17 poll.)  
Y: 297 mm (11,7 poll.)

Caricare il documento originale.



Per inviare il fax a una macchina fax, premere **Home**, quindi toccare **Fax** o **Fax server**.

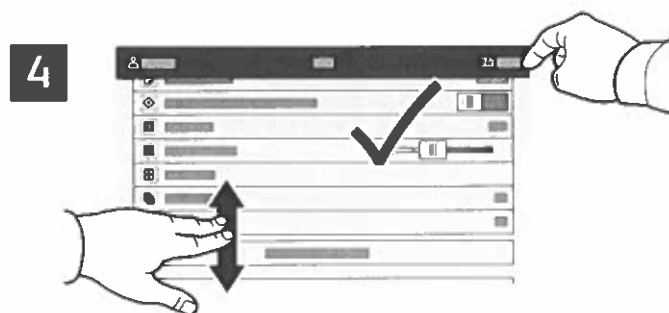
Per inviare il fax come allegato di un'e-mail, toccare **Home**, quindi toccare **Internet Fax**.



Per i numeri fax, toccare **Inserimento manuale**, quindi inserire il numero fax utilizzando i tasti alfanumerici e i caratteri speciali dello schermo sensibile. Toccare **Aggiungi**. Per aggiungere più numeri fax all'elenco, toccare **Aggiungi destinatario**.

Per gli indirizzi e-mail Internet fax, toccare **Inserimento manuale**, quindi inserire l'indirizzo e-mail appropriato utilizzando la tastiera dello schermo sensibile. Toccare **Aggiungi**. Per aggiungere più indirizzi e-mail all'elenco, toccare **Aggiungi destinatario**.

Per selezionare numeri salvati, utilizzare la Rubrica dispositivo o i Preferiti. Per selezionare posizioni fax archiviate, utilizzare Mailbox o Polling.

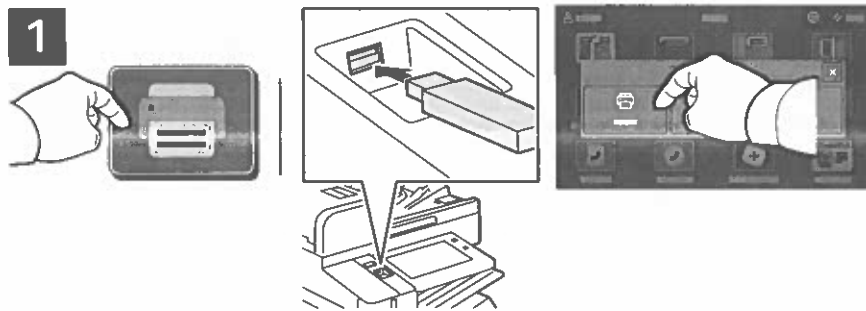


Cambiare le impostazioni come richiesto e quindi toccare **Invia**.

Nota: le impostazioni degli utenti precedenti rimangono sullo schermo per un breve periodo di tempo. Per ripristinare le impostazioni predefinite in un'app, andare in fondo all'elenco delle funzioni e toccare **Ripristina**.

## Stampa da un'unità flash USB

È possibile stampare file .pdf, .tiff, .ps, .xps e altri tipi di file direttamente da un'unità flash USB. Per ulteriori informazioni, fare riferimento alla *Guida per l'utente*.



Toccare **Stampa da** oppure inserire l'unità flash USB, quindi scegliere **Stampa da USB**.



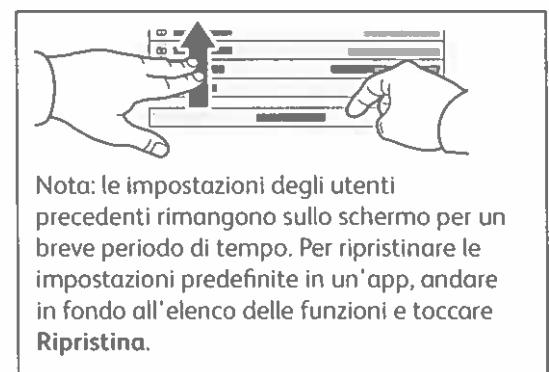
Toccare **Aggiungi documento**, quindi individuare i file e selezionarli.



Per selezionare il numero di copie, toccare il segno più (+) o il segno meno (-). Per numeri elevati, toccare **Quantità** e immettere un numero.



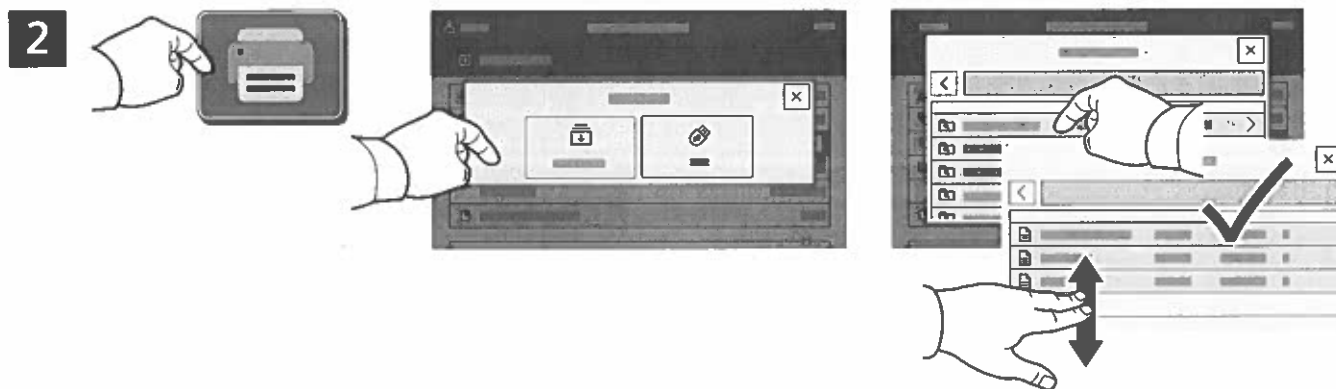
Selezionare le impostazioni come richiesto e quindi toccare **Stampa**.



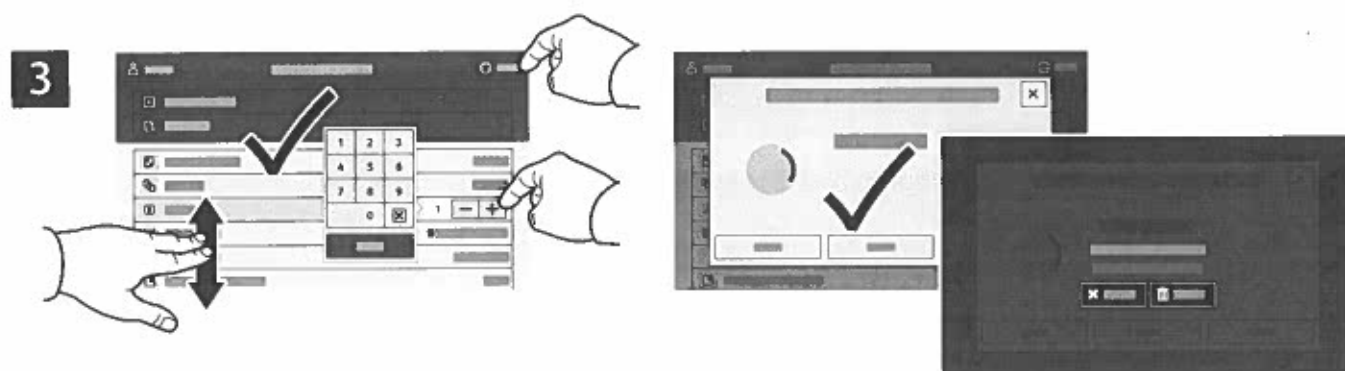
## Stampa di lavori memorizzati sulla stampante



È possibile inviare un lavoro di stampa alla stampante e salvarlo per essere selezionato per la stampa in una fase successiva tramite il pannello comandi della stampante. I lavori possono essere salvati nella cartella pubblica o essere protetti da password. Nel driver della stampante Xerox®, selezionare **Proprietà (Windows)** o **Funzioni Xerox (Mac OS)**, quindi **Tipo di lavoro**. Selezionare **Lavoro salvato** o **Stampa protetta**. Per la Stampa protetta, digitare un codice di accesso. Fare clic su **OK** e stampare il lavoro.



Toccare **Stampa da**, quindi **Lavori salvati**. Selezionare la **Cartella pubblica di default** e quindi selezionare il lavoro di stampa.



Selezionare le impostazioni dall'elenco. Per selezionare il numero di copie, toccare il segno più (+) o il segno meno (-). Per numeri elevati, toccare **Quantità** e immettere un numero. Toccare **Stampa**. Per cancellare il lavoro, nella schermata di stampa e nella schermata di conferma, toccare **Cancella**.

## Risoluzione dei problemi di qualità di stampa

La stampante multifunzione a colori Xerox® AltaLink® B8245/B8255/B8270 è progettata per produrre stampe a colori di alta qualità, giorno dopo giorno. Se si verificano problemi di qualità di stampa, utilizzare le informazioni fornite in queste pagine per risolverli. Per informazioni dettagliate sull'assistenza online, visitare il sito [www.xerox.com/office/support](http://www.xerox.com/office/support).

**ATTENZIONE:** i danni causati dall'utilizzo di carta, trasparenti e altri supporti di stampa speciali non compatibili sono esclusi dalla garanzia Xerox®, dal contratto di manutenzione e dalla Total Satisfaction Guarantee (Garanzia "soddisfatti o rimborsati"). La Total Satisfaction Guarantee (Garanzia "soddisfatti o rimborsati") è disponibile negli Stati Uniti e in Canada. La copertura della garanzia può variare negli altri paesi. Per informazioni dettagliate, rivolgersi al rappresentante locale.

### Tipo di carta

**ATTENZIONE:** se si modifica il tipo di carta nel vassoio, modificare anche il tipo di carta sul pannello comandi in modo che corrispondano. In caso contrario potrebbero verificarsi problemi di qualità di stampa o danni al fusore.

Per risultati ottimali, utilizzare solo carta e supporti di stampa raccomandati da Xerox®. La carta e i supporti Xerox® garantiscono risultati eccellenti sulla Stampante multifunzione Xerox® AltaLink® B8245/B8255/B8270. Per ordinare carta e supporti Xerox®, andare su

[www.xerox.com/office/supplies](http://www.xerox.com/office/supplies).

Per l'elenco completo dei supporti raccomandati per la stampante, visitare i seguenti siti:


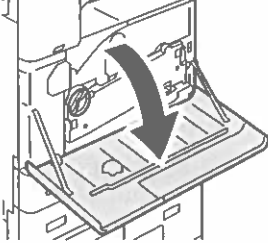
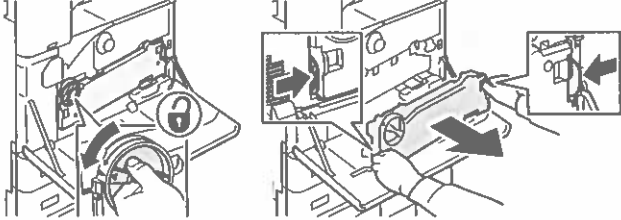
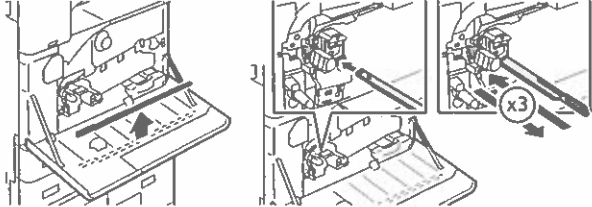
- Nord America: [www.xerox.com/rmlna](http://www.xerox.com/rmlna)
- Europa: [www.xerox.com/rmleu](http://www.xerox.com/rmleu)

### Risoluzione dei problemi di qualità di stampa

Utilizzare le tabelle seguenti per trovare soluzioni specifiche a problemi di qualità di stampa.

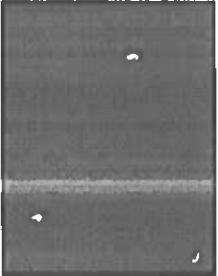
**Nota:** le immagini visualizzate rappresentano stampe con alimentazione LEF. Se si stampa su carta con alimentazione SEF, i difetti di qualità di stampa vengono ruotati di 90 gradi. Le immagini visualizzate sono solo per riferimento. Non tutte le pagine rappresentate vengono stampate.

## Risoluzione dei problemi di qualità di stampa

Problema	Soluzione
<p data-bbox="113 367 344 398">Strisce o righe chiare</p> 	<ol style="list-style-type: none"><li data-bbox="651 367 986 398">1. Aprire la copertura anteriore. </li><li data-bbox="651 667 1406 757">2. Per sbloccare la leva di tensione della cinghia, sul lato sinistro della stampante, ruotare la leva, quindi aprire la copertura della cartuccia fotoricettore. </li><li data-bbox="651 1003 1437 1093">3. Inserire lo strumento di pulizia della testina di stampa LED nella stampante finché non si ferma. Spingere lo strumento avanti e indietro un paio di volte. Al termine, rimuovere lo strumento. <b>Nota:</b> non esercitare troppa forza. </li></ol>

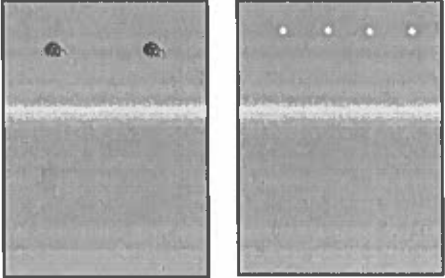
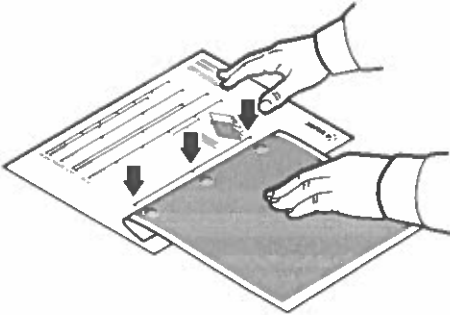


## Risoluzione dei problemi di qualità di stampa (continua)

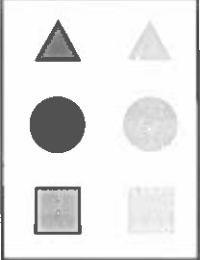
Problema	Soluzione
<p><b>Fusione incompleta</b></p> <p>Il toner manca o si stacca facilmente dalla stampa.</p> 	<ol style="list-style-type: none"><li>1. Accertarsi che la carta utilizzata sia di tipo compatibile per la stampante e caricata in modo corretto. Per l'elenco completo dei supporti raccomandati per la stampante, visitare i seguenti siti:<ul style="list-style-type: none"><li>– Nord America: <a href="http://www.xerox.com/rmlna">www.xerox.com/rmlna</a></li><li>– Europa: <a href="http://www.xerox.com/rmleu">www.xerox.com/rmleu</a></li></ul></li><li>2. Controllare che il tipo di carta sia selezionato sul pannello comandi e nel driver di stampa.</li><li>3. Se il problema persiste, eseguire una delle seguenti operazioni:<ul style="list-style-type: none"><li>• Per i vassoi dedicati, accedere come amministratore, selezionare <b>Dispositivo &gt; Strumenti &gt; Impostazioni dispositivo &gt; Gestione carta &gt; Impostazioni vassoio</b>. Selezionare il vassoio, selezionare <b>Modifica</b>, quindi modificare il tipo di carta.</li></ul><p><b>Nota:</b> per modificare il tipo, il formato o il colore di carta in un vassoio dedicato quando il pannello comandi è bloccato, connettersi al sistema come amministratore.</p><ul style="list-style-type: none"><li>• Per i vassoi impostati su Regolabile:<ul style="list-style-type: none"><li>• Vassoi 1–4 e 6: Aprire e chiudere il vassoio carta selezionato.</li><li>• Vassoio 5: Rimuovere e reinserire la carta.</li></ul></li></ul><p>Sul pannello comandi viene visualizzato un messaggio che chiede di confermare o modificare il tipo di carta.</p><ul style="list-style-type: none"><li>• Dallo schermo sensibile, toccare <b>Tipo</b>, quindi eseguire una delle operazioni seguenti:<ul style="list-style-type: none"><li>• Selezionare il tipo di carta corretto, quindi toccare <b>Conferma</b>.</li><li>• Selezionare il successivo tipo di carta selezionato, quindi toccare <b>Conferma</b>.</li></ul></li></ul><p><b>Nota:</b> i tipi di carta dal più leggero al più pesante sono:</p><ul style="list-style-type: none"><li>• Per la carta non patinata: Standard, Cartoncino leggero, Cartoncino e Cartoncino pesante.</li><li>• Per la carta patinata: Cartoncino lucido leggero, Cartoncino lucido e Cartoncino lucido pesante.</li></ul></li></ol>



## Risoluzione dei problemi di qualità di stampa (continua)

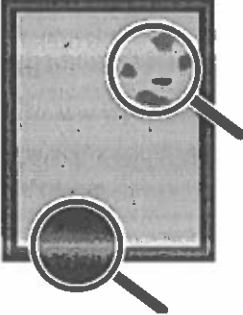
Problema	Soluzione
<p><b>Difetti ripetuti</b></p> <p>Macchie o righe visualizzate a intervalli regolari sulla pagina, lungo la direzione di alimentazione della carta nella stampante, oppure nelle aree non stampate.</p> 	<ol style="list-style-type: none"><li>1. Dal pannello comandi, toccare <b>Dispositivo &gt; Strumenti &gt; Problemi e soluzioni &gt; Pagine di assistenza &gt; Pagina difetti ripetuti &gt; Stampa</b>. Viene stampata la Pagina difetti ripetuti con istruzioni per l'identificazione delle unità difettose.</li><li>2. Per correggere il problema, sostituire i componenti identificati sulla Pagina difetti ripetuti. </li><li>3. Se è stato sostituito il rullo di trasferimento, ripristinare il contatore:<ul style="list-style-type: none"><li>• Sul pannello comandi, premere <b>Accedi</b>. Immettere le informazioni di accesso dell'amministratore di sistema e toccare <b>Invio</b>. Per ulteriori informazioni, vedere la <i>System Administrator Guide (Guida per l'amministratore del sistema)</i>.</li><li>• Toccare <b>Dispositivo &gt; Strumenti &gt; Impostazioni dispositivo</b>.</li><li>• Scorrere e toccare <b>Materiali di consumo &gt; Azzeramento contatore materiali di consumo</b>.</li><li>• Toccare <b>Secondo rullo di trasf. polarizzato</b>.</li><li>• Toccare <b>Ripristina contatore</b>.</li><li>• Per chiudere la finestra pop-up, toccare <b>X</b>, toccare <b>admin</b>, quindi selezionare <b>Logout</b>.</li></ul></li></ol>

## Risoluzione dei problemi di qualità di stampa (continua)

Problema	Soluzione
<p><b>Sfalsamento immagine</b></p> <p>Lo sfalsamento più comune si ha quando il toner appare ristampato sulla pagina e posizionato a circa 95 mm (3,75 poll.) nella pagina nella direzione di alimentazione della carta nella stampante.</p> <p><b>Nota:</b> per una distanza diversa, fare riferimento alla Pagina difetti ripetuti per identificare la causa.</p> 	<ol style="list-style-type: none"><li>1. Accertarsi che la carta utilizzata sia di tipo compatibile per la stampante e caricata in modo corretto. Per l'elenco completo dei supporti raccomandati per la stampante, visitare i seguenti siti:<ul style="list-style-type: none"><li>– Nord America: <a href="http://www.xerox.com/rmlna">www.xerox.com/rmlna</a></li><li>– Europa: <a href="http://www.xerox.com/rmleu">www.xerox.com/rmleu</a></li></ul></li><li>2. Controllare che il tipo di carta sia selezionato sul pannello comandi e nel driver di stampa. <b>Nota:</b> per modificare il tipo, il formato o il colore di carta in un vassoio dedicato quando il pannello comandi è bloccato, connettersi al sistema come amministratore.</li><li>3. Se il problema persiste, eseguire una delle seguenti operazioni:<ul style="list-style-type: none"><li>• Per i vassoi dedicati, accedere come amministratore, selezionare <b>Dispositivo &gt; Strumenti &gt; Impostazioni dispositivo &gt; Gestione carta &gt; Impostazioni vassoio</b>. Selezionare il vassoio, selezionare <b>Modifica</b>, quindi modificare il tipo di carta.</li><li>• Per i vassoi impostati su Regolabile:<ul style="list-style-type: none"><li>• Vassoi 1–4 e 6: Aprire e chiudere il vassoio carta selezionato.</li><li>• Vassoio 5: Rimuovere e reinserire la carta.</li></ul>Sul pannello comandi viene visualizzato un messaggio che chiede di confermare o modificare il tipo di carta.</li><li>• Dallo schermo sensibile, toccare <b>Tipo</b>, quindi eseguire una delle operazioni seguenti:<ul style="list-style-type: none"><li>• Selezionare il tipo di carta corretto, quindi toccare <b>Conferma</b>.</li><li>• Selezionare il successivo tipo di carta selezionato, quindi toccare <b>Conferma</b>.</li></ul></li></ul><b>Nota:</b> i tipi di carta dal più leggero al più pesante sono:<ul style="list-style-type: none"><li>• Per la carta non patinata: Standard, Cartoncino leggero, Cartoncino e Cartoncino pesante.</li><li>• Per la carta patinata: Cartoncino lucido leggero, Cartoncino lucido e Cartoncino lucido pesante.</li><li>• Per identificare la causa, fare riferimento alla Pagina difetti ripetuti. Per informazioni dettagliate, fare riferimento alla pagina precedente.</li></ul></li></ol>

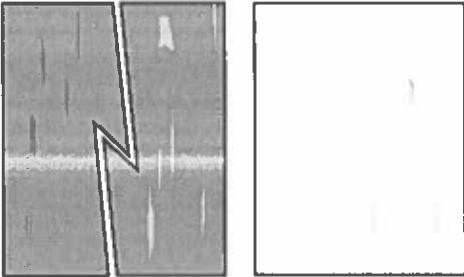


## Risoluzione dei problemi di qualità di stampa (continua)

Problema	Soluzione
<p data-bbox="114 376 596 405"><b>Aree con alta copertura appaiono chiazze</b></p> 	<ol data-bbox="660 376 1417 658" style="list-style-type: none"><li>1. Accertarsi che la carta utilizzata sia di tipo compatibile per la stampante e caricata in modo corretto. Per l'elenco completo dei supporti raccomandati per la stampante, visitare i seguenti siti:<ul data-bbox="695 517 1145 589" style="list-style-type: none"><li>- Nord America: <a href="http://www.xerox.com/rmlna">www.xerox.com/rmlna</a></li><li>- Europa: <a href="http://www.xerox.com/rmleu">www.xerox.com/rmleu</a></li></ul></li><li>2. Controllare che il tipo di carta sia selezionato sul pannello comandi e nel driver di stampa.</li></ol> <p data-bbox="660 667 1129 696">Se il problema persiste, richiedere assistenza.</p>
<p data-bbox="114 750 560 808"><b>Tonalità di grigio troppo chiare o troppo scure</b></p> <p data-bbox="114 824 571 909">Le tonalità di grigio appaiono sbiadite o, al contrario, troppo scure sulle copie o sulle stampe.</p>	<ol data-bbox="660 750 1426 1160" style="list-style-type: none"><li>1. Accertarsi che la carta utilizzata sia di tipo compatibile per la stampante e caricata in modo corretto. Per l'elenco completo dei supporti raccomandati per la stampante, visitare i seguenti siti:<ul data-bbox="695 891 1145 963" style="list-style-type: none"><li>- Nord America: <a href="http://www.xerox.com/rmlna">www.xerox.com/rmlna</a></li><li>- Europa: <a href="http://www.xerox.com/rmleu">www.xerox.com/rmleu</a></li></ul></li><li>2. Controllare che il tipo di carta sia selezionato sul pannello comandi e nel driver di stampa.</li><li>3. Regolare le opzioni di luminosità nelle impostazioni di copia oppure nel driver di stampa. Per informazioni sulla modifica dell'impostazione di luminosità nel driver di stampa PostScript per il proprio sistema operativo, fare riferimento al capitolo <i>Stampa della Guida per l'utente</i>.</li></ol>



## Risoluzione dei problemi di qualità di stampa (continua)

Problema	Soluzione
<p><b>Righe, sbavature o striature</b></p> <p>Segni chiari e/o scuri appaiono in modo uniforme in tutti i colori e/o nelle aree non stampate.</p> 	<ol style="list-style-type: none"> <li>1. Accertarsi che la carta utilizzata sia di tipo compatibile per la stampante e caricata in modo corretto. Per l'elenco completo dei supporti raccomandati per la stampante, visitare i seguenti siti: <ul style="list-style-type: none"> <li>– Nord America: <a href="http://www.xerox.com/rmlna">www.xerox.com/rmlna</a></li> <li>– Europa: <a href="http://www.xerox.com/rmleu">www.xerox.com/rmleu</a></li> </ul> </li> <li>2. Controllare che il tipo di carta sia selezionato sul pannello comandi e nel driver di stampa.</li> <li>3. Se il problema persiste, procedere come segue: <ul style="list-style-type: none"> <li>• Da pannello comandi, toccare <b>Dispositivo &gt; Pagine di informazioni &gt; Pagina risoluzione dei problemi di qualità di stampa &gt; Stampa</b>. Viene stampata la Pagina difetti ripetuti con istruzioni per l'identificazione delle unità difettose.</li> <li>• Per correggere il problema, sostituire i componenti identificati sulla Pagina difetti ripetuti.</li> </ul> </li> <li>4. Se il problema persiste, sostituire l'unità di pulizia della cinghia di trasferimento. Se si sostituisce l'unità di pulizia della cinghia di trasferimento, ripristinare il contatore: <ul style="list-style-type: none"> <li>• Sul pannello comandi, toccare <b>Accedi</b>. Immettere le informazioni di accesso dell'amministratore di sistema e toccare <b>Fatto</b>. Per ulteriori informazioni, vedere la <i>System Administrator Guide (Guida per l'amministratore del sistema)</i>.</li> <li>• Toccare <b>Dispositivo &gt; Strumenti &gt; Impostazioni dispositivo</b>.</li> <li>• Scorrere e toccare <b>Materiali di consumo &gt; Azzeramento contatore materiali di consumo</b>.</li> <li>• Toccare <b>Pulitore cinghia di trasferimento</b>.</li> <li>• Toccare <b>Conferma reimpostazione</b>.</li> <li>• Per chiudere la finestra pop-up, toccare <b>X</b>, toccare <b>admin</b>, quindi selezionare <b>Logout</b>.</li> </ul> </li> </ol>
<p><b>Qualità di stampa scadente sui trasparenti</b></p> <p>Difetti di qualità di stampa si verificano sui trasparenti:</p> <ul style="list-style-type: none"> <li>• Punti chiari o scuri</li> <li>• Sbavature di toner</li> <li>• Bande chiare sulla stampa</li> </ul>	<p>Usare solo trasparenti Xerox®.</p> <p><b>ATTENZIONE:</b> l'uso di trasparenti non Xerox® può causare problemi di qualità di stampa o danneggiare il fusore. I danni causati dall'utilizzo di supporti non approvati sono esclusi dalla garanzia Xerox®, dal contratto di manutenzione o dalla Total Satisfaction Guarantee (Garanzia "soddisfatti o rimborsati").</p>

## Qualità di stampa

Le opzioni dell'immagine controllano il modo in cui la stampante utilizza luminosità e contrasto per produrre il documento. I driver di stampa PostScript Windows e Macintosh offrono la più ampia gamma di controlli e correzioni colore nella scheda Opzioni immagine.

- **Avanzata** è una modalità di utilizzo generale che consente di produrre stampe a colori nitide e uniformi. Offre un giusto equilibrio tra velocità e qualità.
- **Alta risoluzione** è una modalità ad alta qualità che consente di produrre stampe uniformi con linee fini e dettagli. La modalità Alta risoluzione privilegia la qualità rispetto alla velocità.
- La modalità **Risparmio toner** consente di ridurre la quantità di toner utilizzata per i lavori di stampa ed è utile per copie di qualità bozza. La qualità di stampa è leggermente inferiore rispetto alla modalità Standard.

## Opzioni immagine

Le opzioni dell'immagine controllano il modo in cui la stampante utilizza luminosità e contrasto per produrre il documento. I driver di stampa PostScript Windows e Macintosh offrono la più ampia gamma di controlli e correzioni colore nella scheda Opzioni immagine.

- Per individuare le Opzioni immagine in Windows, fare clic sulla scheda **Opzioni immagine** nel driver di stampa.
- Per individuare Opzioni immagine su Macintosh, fare clic su **Funzioni Xerox** nell'elenco delle opzioni di stampa della finestra Stampa. Nell'elenco delle opzioni di **Funzioni Xerox**, fare clic su **Opzioni immagine**.

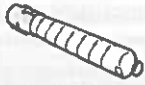


# Uso dei materiali di consumo

Le informazioni sull'ordine di materiali di consumo sono disponibili nella seguente pagina: [www.xerox.com/office/supplies](http://www.xerox.com/office/supplies)

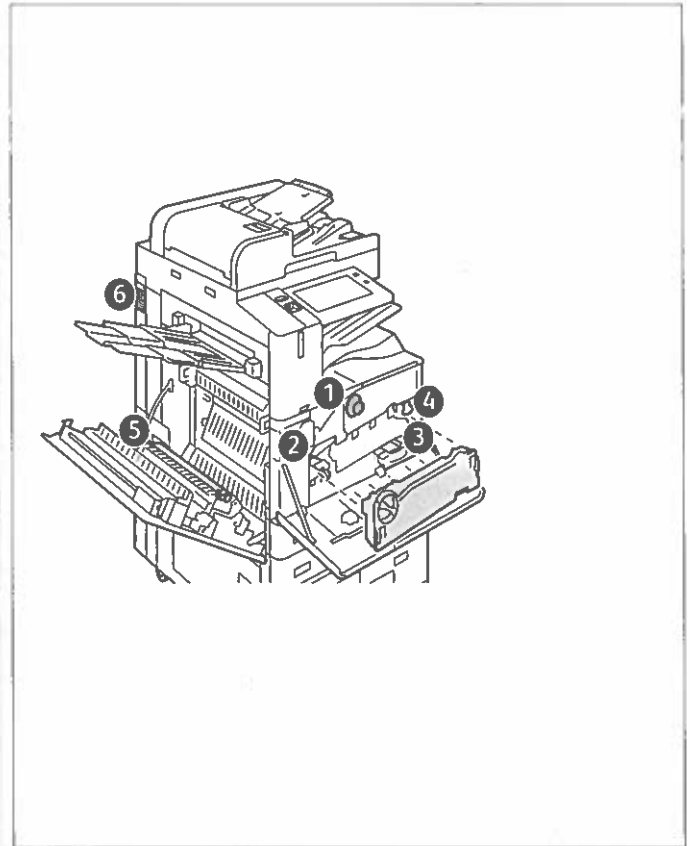
## Materiali di consumo

### 1 Cartucce toner



**Nero**

Data di installazione: Feb 6, 2024  
 Riordinare: 006R01770  
 Pagine residue stimate: 17000  
 (In base alla copertura media di questa cartuccia toner: 2%)



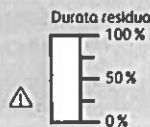
## Elementi della procedura di manutenzione

### 2 Cartuccia fotoricettore



**Nero (R1)**

Data di installazione: Dec 30, 2019  
 Riordinare: 013R00686  
 Pagine residue stimate: 0  
 (In base alla dimensione media del lavoro stampante: 1 Pagine)



### 3 Contenitore scarti



Data di installazione: Feb 28, 2025  
 Riordinare: 008R08101

OK

### 4 Complesso di pulizia cinghia di trasferimento



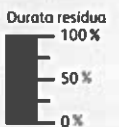
Data di installazione: Feb 28, 2025  
 Riordinare: 001R00623  
 Pagine residue stimate: 159000



### 5 Rullo polarizzato di trasferta secondario

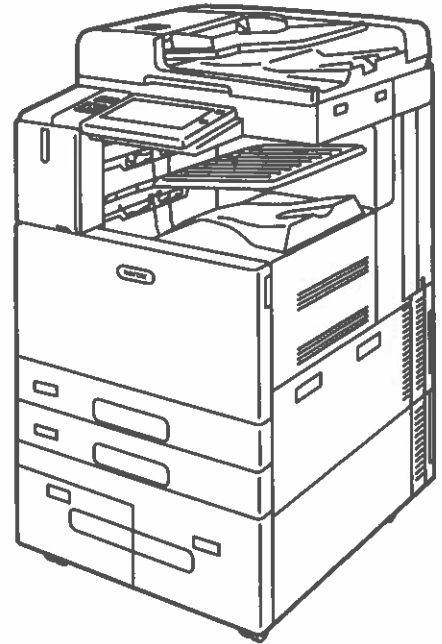


Data di installazione: Feb 28, 2025  
 Riordinare: 008R08103  
 Pagine residue stimate: 359000



# Xerox® AltaLink® B8200 Series Black-And-White Multifunction Printers

Productive, Scalable, Built-in Security



XEROX® CONNECTKEY®  
TECHNOLOGY



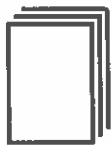
Intuitive User  
Experience



Mobile and  
Cloud Ready



Comprehensive  
Security



Enables Managed  
Print Services



Gateway to New  
Possibilities





## Font residenti

Posizione	Nome font	Esempio di stampa
1	Courier «Esc»(Symbol set«Esc»(s0p«pitch»h0s0b4099T	'ABCDEFGFGabcdefg0123456789&?!.,'
2	CG Times «Esc»(Symbol set«Esc»(s1p«size»v0s0b4101T	'ABCDEFGFGabcdefg0123456789&?!.,'
3	CG Times Bold «Esc»(Symbol set«Esc»(s1p«size»v0s3b4101T	' <b>ABCDEFGFGabcdefg0123456789&amp;?!.,'</b>
4	CG Times Italic «Esc»(Symbol set«Esc»(s1p«size»v1s0b4101T	' <i>ABCDEFGFGabcdefg0123456789&amp;?!.,'</i>
5	CG Times Bold Italic «Esc»(Symbol set«Esc»(s1p«size»v1s3b4101T	' <b><i>ABCDEFGFGabcdefg0123456789&amp;?!.,'</i></b>
6	CG Omega «Esc»(Symbol set«Esc»(s1p«size»v0s0b4113T	'ABCDEFGFGabcdefg0123456789&?!.,'
7	CG Omega Bold «Esc»(Symbol set«Esc»(s1p«size»v0s3b4113T	' <b>ABCDEFGFGabcdefg0123456789&amp;?!.,'</b>
8	CG Omega Italic «Esc»(Symbol set«Esc»(s1p«size»v1s0b4113T	' <i>ABCDEFGFGabcdefg0123456789&amp;?!.,'</i>
9	CG Omega Bold Italic «Esc»(Symbol set«Esc»(s1p«size»v1s3b4113T	' <b><i>ABCDEFGFGabcdefg0123456789&amp;?!.,'</i></b>
10	Coronet «Esc»(Symbol set«Esc»(s1p«size»v1s0b4116T	' <i>ABCDEF<del>FG</del>abcdefg0123456789&amp;?!.,'</i>
11	Clarendon Condensed «Esc»(Symbol set«Esc»(s1p«size»v4s3b4140T	' <b>ABCDEFGFGabcdefg0123456789&amp;?!.,'</b>
12	Univers Medium «Esc»(Symbol set«Esc»(s1p«size»v0s0b4148T	'ABCDEFGFGabcdefg0123456789&?!.,'
13	Univers Bold «Esc»(Symbol set«Esc»(s1p«size»v0s3b4148T	' <b>ABCDEFGFGabcdefg0123456789&amp;?!.,'</b>
14	Univers Medium Italic «Esc»(Symbol set«Esc»(s1p«size»v1s0b4148T	' <i>ABCDEFGFGabcdefg0123456789&amp;?!.,'</i>
15	Univers Bold Italic «Esc»(Symbol set«Esc»(s1p«size»v1s3b4148T	' <b><i>ABCDEFGFGabcdefg0123456789&amp;?!.,'</i></b>
16	Univers Medium Condensed «Esc»(Symbol set«Esc»(s1p«size»v4s0b4148T	' <b>ABCDEFGFGabcdefg0123456789&amp;?!.,'</b>
17	Univers Bold Condensed «Esc»(Symbol set«Esc»(s1p«size»v4s3b4148T	' <b>ABCDEFGFGabcdefg0123456789&amp;?!.,'</b>
18	Univers Medium Condensed Italic «Esc»(Symbol set«Esc»(s1p«size»v5s0b4148T	' <b><i>ABCDEFGFGabcdefg0123456789&amp;?!.,'</i></b>

## Font residenti

Posizione	Nome font	Esempio di stampa
19	Univers Bold Condensed Italic «Esc»(Symbol set«Esc»(s1p«size»v5s3b4148T	' <b>ABCDEFGGabcdefg0123456789&amp;?!.,'</b>
20	Antique Olive «Esc»(Symbol set«Esc»(s1p«size»v0s0b4168T	'ABCDEFGabcdefg0123456789&?!.,'
21	Antique Olive Bold «Esc»(Symbol set«Esc»(s1p«size»v0s3b4168T	' <b>ABCDEFGGabcdefg0123456789&amp;?!.,'</b>
22	Antique Olive Italic «Esc»(Symbol set«Esc»(s1p«size»v1s0b4168T	' <i>ABCDEFGGabcdefg0123456789&amp;?!.,'</i>
23	Garamond Antiqua «Esc»(Symbol set«Esc»(s1p«size»v0s0b4197T	'ABCDEFGabcdefg0123456789&?!.,'
24	Garamond Halbfett «Esc»(Symbol set«Esc»(s1p«size»v0s3b4197T	' <b>ABCDEFGGabcdefg0123456789&amp;?!.,'</b>
25	Garamond Kursiv «Esc»(Symbol set«Esc»(s1p«size»v1s0b4197T	' <i>ABCDEFGGabcdefg0123456789&amp;?!.,'</i>
26	Garamond Kursiv Halbfett «Esc»(Symbol set«Esc»(s1p«size»v1s3b4197T	' <b><i>ABCDEFGGabcdefg0123456789&amp;?!.,'</i></b>
27	Marigold «Esc»(Symbol set«Esc»(s1p«size»v0s0b4297T	'ABCDEFGabcdefg0123456789&?!.,'
28	Albertus Medium «Esc»(Symbol set«Esc»(s1p«size»v0s1b4362T	'ABCDEFGabcdefg0123456789&?!.,'
29	Albertus Extra Bold «Esc»(Symbol set«Esc»(s1p«size»v0s4b4362T	' <b>ABCDEFGGabcdefg0123456789&amp;?!.,'</b>
30	Ryadh «Esc»(Symbol set«Esc»(s1p«size»v0s0b4859T	ABCDEFGabcdefg0123456789&?!.,'
31	Ryadh Bold «Esc»(Symbol set«Esc»(s1p«size»v0s3b4859T	<b>ABCDEFGabcdefg0123456789&amp;?!.,'</b>
32	Malka «Esc»(Symbol set«Esc»(s1p«size»v0s0b16584T	ABCDEFGabcdefg0123456789&?!.,'
33	Malka Bold «Esc»(Symbol set«Esc»(s1p«size»v0s3b16584T	<b>ABCDEFGabcdefg0123456789&amp;?!.,'</b>
34	Malka Italic «Esc»(Symbol set«Esc»(s1p«size»v1s0b16584T	<i>ABCDEFGabcdefg0123456789&amp;?!.,'</i>
35	Dorit «Esc»(Symbol set«Esc»(s1p«size»v0s0b16585T	ABCDEFGabcdefg0123456789&?!.,'
36	Dorit Bold «Esc»(Symbol set«Esc»(s1p«size»v0s3b16585T	<b>ABCDEFGabcdefg0123456789&amp;?!.,'</b>

## Font residenti

Posizione	Nome font	Esempio di stampa
37	Naamit «Esc»(Symbol set«Esc»(s1p«size»v0s0b16587T	ABCDEFgabcdefg0123456789&?!.,'
38	Naamit Bold «Esc»(Symbol set«Esc»(s1p«size»v0s3b16587T	<b>ABCDEFgabcdefg0123456789&amp;?!.,'</b>
39	Arial «Esc»(Symbol set«Esc»(s1p«size»v0s0b16602T	'ABCDEFgabcdefg0123456789&?!.,'
40	Arial Bold «Esc»(Symbol set«Esc»(s1p«size»v0s3b16602T	<b>'ABCDEFgabcdefg0123456789&amp;?!.,'</b>
41	Arial Italic «Esc»(Symbol set«Esc»(s1p«size»v1s0b16602T	<i>'ABCDEFgabcdefg0123456789&amp;?!.,'</i>
42	Arial Bold Italic «Esc»(Symbol set«Esc»(s1p«size»v1s3b16602T	<b><i>'ABCDEFgabcdefg0123456789&amp;?!.,'</i></b>
43	Times New Roman «Esc»(Symbol set«Esc»(s1p«size»v0s0b16901T	'ABCDEFgabcdefg0123456789&?!.,'
44	Times New Roman Bold «Esc»(Symbol set«Esc»(s1p«size»v0s3b16901T	<b>'ABCDEFgabcdefg0123456789&amp;?!.,'</b>
45	Times New Roman Italic «Esc»(Symbol set«Esc»(s1p«size»v1s0b16901T	<i>'ABCDEFgabcdefg0123456789&amp;?!.,'</i>
46	Times New Roman Bold Italic «Esc»(Symbol set«Esc»(s1p«size»v1s3b16901T	<b><i>'ABCDEFgabcdefg0123456789&amp;?!.,'</i></b>
47	Helvetica «Esc»(Symbol set«Esc»(s1p«size»v0s0b24580T	'ABCDEFgabcdefg0123456789&?!.,'
48	Helvetica Bold «Esc»(Symbol set«Esc»(s1p«size»v0s3b24580T	<b>'ABCDEFgabcdefg0123456789&amp;?!.,'</b>
49	Helvetica Oblique «Esc»(Symbol set«Esc»(s1p«size»v1s0b24580T	<i>'ABCDEFgabcdefg0123456789&amp;?!.,'</i>
50	Helvetica Bold Oblique «Esc»(Symbol set«Esc»(s1p«size»v1s3b24580T	<b><i>'ABCDEFgabcdefg0123456789&amp;?!.,'</i></b>
51	Helvetica Narrow «Esc»(Symbol set«Esc»(s1p«size»v4s0b24580T	'ABCDEFgabcdefg0123456789&?!.,'
52	Helvetica Narrow Bold «Esc»(Symbol set«Esc»(s1p«size»v4s3b24580T	<b>'ABCDEFgabcdefg0123456789&amp;?!.,'</b>
53	Helvetica Narrow Oblique «Esc»(Symbol set«Esc»(s1p«size»v5s0b24580T	<i>'ABCDEFgabcdefg0123456789&amp;?!.,'</i>
54	Helvetica Narrow Bold Oblique «Esc»(Symbol set«Esc»(s1p«size»v5s3b24580T	<b><i>'ABCDEFgabcdefg0123456789&amp;?!.,'</i></b>

## Font residenti

Posizione	Nome font	Esempio di stampa
55	Palatino Roman «Esc»(Symbol set«Esc»(s1p«size»v0s0b24591T	'ABCDEFGGabcdefg0123456789&?!.,'
56	Palatino Bold «Esc»(Symbol set«Esc»(s1p«size»v0s3b24591T	'ABCDEFGGabcdefg0123456789&?!.,'
57	Palatino Italic «Esc»(Symbol set«Esc»(s1p«size»v1s0b24591T	'ABCDEFGGabcdefg0123456789&?!.,'
58	Palatino Bold Italic «Esc»(Symbol set«Esc»(s1p«size»v1s3b24591T	'ABCDEFGGabcdefg0123456789&?!.,'
59	ITC Avant Garde Book «Esc»(Symbol set«Esc»(s1p«size»v0s0b24607T	'ABCDEFGGabcdefg0123456789&?!.,'
60	ITC Avant Garde DemiBold «Esc»(Symbol set«Esc»(s1p«size»v0s2b24607T	'ABCDEFGGabcdefg0123456789&?!.,'
61	ITC Avant Garde Book Oblique «Esc»(Symbol set«Esc»(s1p«size»v1s0b24607T	'ABCDEFGGabcdefg0123456789&?!.,'
62	ITC Avant Garde DemiBold Oblique «Esc»(Symbol set«Esc»(s1p«size»v1s2b24607T	'ABCDEFGGabcdefg0123456789&?!.,'
63	ITC Bookman Light «Esc»(Symbol set«Esc»(s1p«size»v0s-3b24623T	'ABCDEFGGabcdefg0123456789&?!.,'
64	ITC Bookman DemiBold «Esc»(Symbol set«Esc»(s1p«size»v0s2b24623T	'ABCDEFGGabcdefg0123456789&?!.,'
65	ITC Bookman Light Italic «Esc»(Symbol set«Esc»(s1p«size»v1s-3b24623T	'ABCDEFGGabcdefg0123456789&?!.,'
66	ITC Bookman DemiBold Italic «Esc»(Symbol set«Esc»(s1p«size»v1s2b24623T	'ABCDEFGGabcdefg0123456789&?!.,'
67	New Century Schoolbook Roman «Esc»(Symbol set«Esc»(s1p«size»v0s0b24703T	'ABCDEFGGabcdefg0123456789&?!.,'
68	New Century Schoolbook Bold «Esc»(Symbol set«Esc»(s1p«size»v0s3b24703T	'ABCDEFGGabcdefg0123456789&?!.,'
69	New Century Schoolbook Italic «Esc»(Symbol set«Esc»(s1p«size»v1s0b24703T	'ABCDEFGGabcdefg0123456789&?!.,'
70	New Century Schoolbook Bold Ital «Esc»(Symbol set«Esc»(s1p«size»v1s3b24703T	'ABCDEFGGabcdefg0123456789&?!.,'
71	Times Roman «Esc»(Symbol set«Esc»(s1p«size»v0s0b25093T	'ABCDEFGGabcdefg0123456789&?!.,'
72	Times Roman Bold «Esc»(Symbol set«Esc»(s1p«size»v0s3b25093T	'ABCDEFGGabcdefg0123456789&?!.,'



## Font residenti

Posizione	Nome font	Esempio di stampa
91	Courier PS Bold «Esc»(Symbol set«Esc»(s0p«pitch»h0s3b24579T	' <b>ABCDEFGGabcdefg0123456789&amp;?!.,'</b>
92	Courier PS Oblique «Esc»(Symbol set«Esc»(s0p«pitch»h1s0b24579T	' <i>ABCDEFGGabcdefg0123456789&amp;?!.,'</i>
93	Courier PS Bold Oblique «Esc»(Symbol set«Esc»(s0p«pitch»h1s3b24579T	' <b><i>ABCDEFGGabcdefg0123456789&amp;?!.,'</i></b>
94	Line Printer «Esc»(8U«Esc»(s0p16.67h8.48v0s0b0T	' <b>ABCDEFGGabcdefg0123456789&amp;?!.,'</b>



# Elenco font PostScript

## Font interni (continua):

GreekMono8859-7BoldItalic	<i><b>ABCDEFG abcdefg 0123456789 &amp;?!\$.,</b></i>
GreekMono8859-7Italic	<i>ABCDEFG abcdefg 0123456789 &amp;?!\$.,</i>
GreekSans737	ABCDEFG abcdefg 0123456789 &?!\$.,
GreekSans737-Bold	<b>ABCDEFG abcdefg 0123456789 &amp;?!\$.,</b>
GreekSans737-BoldItalic	<i><b>ABCDEFG abcdefg 0123456789 &amp;?!\$.,</b></i>
GreekSans737-Italic	<i>ABCDEFG abcdefg 0123456789 &amp;?!\$.,</i>
GreekSans851	ABCDEFG abcdefg 0123456789 &?!\$.,
GreekSans851-Bold	<b>ABCDEFG abcdefg 0123456789 &amp;?!\$.,</b>
GreekSans851-BoldItalic	<i><b>ABCDEFG abcdefg 0123456789 &amp;?!\$.,</b></i>
GreekSans851-Italic	<i>ABCDEFG abcdefg 0123456789 &amp;?!\$.,</i>
GreekSans8859-7	ABCDEFG abcdefg 0123456789 &?!\$.,
GreekSans8859-7Bold	<b>ABCDEFG abcdefg 0123456789 &amp;?!\$.,</b>
GreekSans8859-7BoldItalic	<i><b>ABCDEFG abcdefg 0123456789 &amp;?!\$.,</b></i>
GreekSans8859-7Italic	<i>ABCDEFG abcdefg 0123456789 &amp;?!\$.,</i>
GreekSerif737	ABCDEFG abcdefg 0123456789 &?!\$.,
GreekSerif737-Bold	<b>ABCDEFG abcdefg 0123456789 &amp;?!\$.,</b>
GreekSerif737-BoldItalic	<i><b>ABCDEFG abcdefg 0123456789 &amp;?!\$.,</b></i>
GreekSerif737-Italic	<i>ABCDEFG abcdefg 0123456789 &amp;?!\$.,</i>
GreekSerif851	ABCDEFG abcdefg 0123456789 &?!\$.,
GreekSerif851-Bold	<b>ABCDEFG abcdefg 0123456789 &amp;?!\$.,</b>
GreekSerif851-BoldItalic	<i><b>ABCDEFG abcdefg 0123456789 &amp;?!\$.,</b></i>
GreekSerif851-Italic	<i>ABCDEFG abcdefg 0123456789 &amp;?!\$.,</i>
GreekSerif8859-7	ABCDEFG abcdefg 0123456789 &?!\$.,
GreekSerif8859-7Bold	<b>ABCDEFG abcdefg 0123456789 &amp;?!\$.,</b>
GreekSerif8859-7BoldItalic	<i><b>ABCDEFG abcdefg 0123456789 &amp;?!\$.,</b></i>
GreekSerif8859-7Italic	<i>ABCDEFG abcdefg 0123456789 &amp;?!\$.,</i>
Helvetica	ABCDEFG abcdefg 0123456789 &?!\$.,€
Helvetica-Bold	<b>ABCDEFG abcdefg 0123456789 &amp;?!\$.,€</b>
Helvetica-BoldOblique	<i><b>ABCDEFG abcdefg 0123456789 &amp;?!\$.,€</b></i>
Helvetica-Condensed	ABCDEFG abcdefg 0123456789 &?!\$.,€
Helvetica-Condensed-Bold	<b>ABCDEFG abcdefg 0123456789 &amp;?!\$.,€</b>
Helvetica-Condensed-BoldObl	<i><b>ABCDEFG abcdefg 0123456789 &amp;?!\$.,€</b></i>
Helvetica-Condensed-Oblique	<i>ABCDEFG abcdefg 0123456789 &amp;?!\$.,€</i>
Helvetica-Narrow	ABCDEFG abcdefg 0123456789 &?!\$.,€
Helvetica-Narrow-Bold	<b>ABCDEFG abcdefg 0123456789 &amp;?!\$.,€</b>
Helvetica-Narrow-BoldOblique	<i><b>ABCDEFG abcdefg 0123456789 &amp;?!\$.,€</b></i>
Helvetica-Narrow-Oblique	<i>ABCDEFG abcdefg 0123456789 &amp;?!\$.,€</i>
HoeflerText-Black	<b>ABCDEFG abcdefg 0123456789 &amp;?!\$.,€</b>
HoeflerText-BlackItalic	<i><b>ABCDEFG abcdefg 0123456789 &amp;?!\$.,€</b></i>
HoeflerText-Italic	<i>ABCDEFG abcdefg 0123456789 &amp;?!\$.,€</i>
HoeflerText-Ornaments	🎨🎨🎨🎨🎨🎨🎨🎨🎨🎨🎨🎨
HoeflerText-Regular	ABCDEFG abcdefg 0123456789 &?!\$.,€
JoannaMT	ABCDEFG abcdefg 0123456789 &?!\$.,€
JoannaMT-Bold	<b>ABCDEFG abcdefg 0123456789 &amp;?!\$.,€</b>
JoannaMT-BoldItalic	<i><b>ABCDEFG abcdefg 0123456789 &amp;?!\$.,€</b></i>
JoannaMT-Italic	<i>ABCDEFG abcdefg 0123456789 &amp;?!\$.,€</i>
LetterGothic	ABCDEFG abcdefg 0123456789 &?!\$.,€
LetterGothic-Bold	<b>ABCDEFG abcdefg 0123456789 &amp;?!\$.,€</b>
LetterGothic-BoldSlanted	<i><b>ABCDEFG abcdefg 0123456789 &amp;?!\$.,€</b></i>
LetterGothic-Slanted	<i>ABCDEFG abcdefg 0123456789 &amp;?!\$.,€</i>
LubalinGraph-Book	ABCDEFG abcdefg 0123456789 &?!\$.,€
LubalinGraph-BookOblique	<i>ABCDEFG abcdefg 0123456789 &amp;?!\$.,€</i>
LubalinGraph-Demi	<b>ABCDEFG abcdefg 0123456789 &amp;?!\$.,€</b>
LubalinGraph-DemiOblique	<i><b>ABCDEFG abcdefg 0123456789 &amp;?!\$.,€</b></i>
Marigold	ABCDEFG abcdefg 0123456789 &?!\$.,€
Monalisa-Recut	ABCDEFG abcdefg 0123456789 &?!\$.,€
Monaco	ABCDEFG abcdefg 0123456789 &?!\$.,€
NewCenturySchlbk-Bold	<b>ABCDEFG abcdefg 0123456789 &amp;?!\$.,€</b>
NewCenturySchlbk-BoldItalic	<i><b>ABCDEFG abcdefg 0123456789 &amp;?!\$.,€</b></i>
NewCenturySchlbk-Italic	<i>ABCDEFG abcdefg 0123456789 &amp;?!\$.,€</i>
NewCenturySchlbk-Roman	ABCDEFG abcdefg 0123456789 &?!\$.,€
NewYork	ABCDEFG abcdefg 0123456789 &?!\$.,€
Optima	ABCDEFG abcdefg 0123456789 &?!\$.,€
Optima-Bold	<b>ABCDEFG abcdefg 0123456789 &amp;?!\$.,€</b>
Optima-BoldItalic	<i><b>ABCDEFG abcdefg 0123456789 &amp;?!\$.,€</b></i>
Optima-Italic	<i>ABCDEFG abcdefg 0123456789 &amp;?!\$.,€</i>
Oxford	ABCDEFG abcdefg 0123456789 &?!\$.,€
Palatino-Bold	<b>ABCDEFG abcdefg 0123456789 &amp;?!\$.,€</b>

# Elenco font PostScript

## Font interni (continua):

Palatino-BoldItalic	ABCDEFGH abcdefg 0123456789 &?!\$,%
Palatino-Italic	ABCDEFGH abcdefg 0123456789 &?!\$,%
Palatino-Roman	ABCDEFGH abcdefg 0123456789 &?!\$,%
StempelGaramond-Bold	ABCDEFGH abcdefg 0123456789 &?!\$,%
StempelGaramond-BoldItalic	ABCDEFGH abcdefg 0123456789 &?!\$,%
StempelGaramond-Italic	ABCDEFGH abcdefg 0123456789 &?!\$,%
StempelGaramond-Roman	ABCDEFGH abcdefg 0123456789 &?!\$,%
Symbol	ABXΔEΦΓ αβχδεφγ 0123456789 &?!\$,%
Tekton	ABCDEFGH abcdefg 0123456789 &?!\$,%
Times-Bold	ABCDEFGH abcdefg 0123456789 &?!\$,%
Times-BoldItalic	ABCDEFGH abcdefg 0123456789 &?!\$,%
Times-Italic	ABCDEFGH abcdefg 0123456789 &?!\$,%
Times-Roman	ABCDEFGH abcdefg 0123456789 &?!\$,%
TimesNewRomanPS-BoldItalicMT	ABCDEFGH abcdefg 0123456789 &?!\$,%
TimesNewRomanPS-BoldMT	ABCDEFGH abcdefg 0123456789 &?!\$,%
TimesNewRomanPS-ItalicMT	ABCDEFGH abcdefg 0123456789 &?!\$,%
TimesNewRomanPSMT	ABCDEFGH abcdefg 0123456789 &?!\$,%
Univers	ABCDEFGH abcdefg 0123456789 &?!\$,%
Univers-Bold	ABCDEFGH abcdefg 0123456789 &?!\$,%
Univers-BoldExt	ABCDEFGH abcdefg 0123456789 &?!\$,%
Univers-BoldExtObl	ABCDEFGH abcdefg 0123456789 &?!\$,%
Univers-BoldOblique	ABCDEFGH abcdefg 0123456789 &?!\$,%
Univers-Condensed	ABCDEFGH abcdefg 0123456789 &?!\$,%
Univers-CondensedBold	ABCDEFGH abcdefg 0123456789 &?!\$,%
Univers-CondensedBoldOblique	ABCDEFGH abcdefg 0123456789 &?!\$,%
Univers-CondensedOblique	ABCDEFGH abcdefg 0123456789 &?!\$,%
Univers-Extended	ABCDEFGH abcdefg 0123456789 &?!\$,%
Univers-ExtendedObl	ABCDEFGH abcdefg 0123456789 &?!\$,%
Univers-Light	ABCDEFGH abcdefg 0123456789 &?!\$,%
Univers-LightOblique	ABCDEFGH abcdefg 0123456789 &?!\$,%
Univers-Oblique	ABCDEFGH abcdefg 0123456789 &?!\$,%
Wingdings	ⒶⒷⒸⒹⒺⒻⒼⒽⒾⒿⓀⓁⓂⓃⓄⓅⓆⓇⓈⓉⓊⓋⓌⓍⓎⓏⓐⓑⓓⓔⓖⓗⓙⓚⓛⓞⓟⓠⓡⓢⓣⓤⓥⓦⓧⓨⓩ⓪⓫⓬⓭⓮⓯⓰⓱⓲⓳⓴⓵⓶⓷⓸⓹⓺⓻⓼⓽⓾⓿
ZapfChancery-MediumItalic	ABCDEFGHIJ abcdefg 0123456789 &?!\$,%
ZapfDingbats	ⓂⓎⓏⓐⓑⓓⓔⓖⓗⓙⓚⓛⓞⓟⓠⓡⓢⓣⓤⓥⓦⓧⓨⓩ⓪⓫⓬⓭⓮⓯⓰⓱⓲⓳⓴⓵⓶⓷⓸⓹⓺⓻⓼⓽⓾⓿



**Common User Data**

Machine Name: Xerox AltaLink B8255 MFP (A2:6E:B8)  
 IP Address: 10.61.16.41  
 Machine Serial Number: ZQV624005  
 Fax Line1:  
 Machine URL: https://10.61.16.41  
 Machine Activation Date: Feb 28, 2025 12:23:30  
 Total Impressions: 4296

**Machine Profile**

Xerox Asset Tag:  
 Customer Asset Tag:  
 Service Phone Number:  
 Customer Support Number:  
 Supplies Phone Number:  
 System Administrator:  
 Machine Location: Not set  
 machine location not set

**Managed By**

Primary MB Server: 10.15.46.133:80

**Machine Hardware**

Fax Card: Not Present  
 Fax Memory Size: 0 MB  
 Foreign Interface Card: not present  
 Device RAM Size: 4096 MB  
 Device Storage Size: used=3296MB/total=256060MB (SSD)  
 EPC Memory Size: 900 MB  
 Finisher Type: Offsetting Catch Tray  
 Finisher Punch: None  
 Finisher Folder: not present  
 Multi-feed Detection Kit: Not Installed

**General Setup**

Remote Services: Enabled  
 Remote Software Download: Enabled  
 Remote Services Trans. Time: 15:45  
 Xerox Workplace Cloud: Enabled  
 E-mail Alerts: Disabled  
 Service Plan: Plan Activated  
 Billing Impression Mode: A3 Impressions  
 Geographic Region: unknown  
 GMT Offset: +05:30  
 Cloning Installation: Allowed (Encrypted Files Only)  
 File Sharing: Enabled  
 JBIG2: Lossless  
**Energy Saver**  
 Deep Sleep: Disabled  
 Energy Saver Mode: Job Activated  
**Smart Proximity Sensor**  
 Wake on Arrival: Enabled  
 Sleep on Departure: Disabled

**Software Versions**

Device Software: 122.041.005.08500  
 Patch Version: None  
 Network Controller: 122.041.08500  
 UI Panel Firmware: 003.005.00000  
 Marking Engine: 072.001.000  
 Document Feeder: 023.026.000  
 Finisher: 000.000.000  
 Fax: 000.000.000  
 Scanner: 017.024.014  
**Machine Upgrades:**  
 Last Successful Upgrade: March 28, 2025 17:42:58

**Media Trays**

Tray 1: Plain, White and Letter (8.5 x 11")  
 Tray 2: Plain, White and A4 (210 x 297 mm)  
 Tray 3: Plain, White and Letter (8.5 x 11")  
 Tray 4: Plain, White and Letter (8.5 x 11")  
 Bypass Tray: Plain, White and x=483mm, y=320mm

**Installed Options**

PS: Installed

**Connectivity**

**Mobile Workflows**

AirPrint Printing: Enabled  
 Mopria Printing: Enabled  
 AirPrint / Mopria Scanning: Enabled  
 Authentication Required: Disabled

**Physical Connections**

**USB Settings**  
 USB Type A Ports: All Enabled  
 USB Type B Port: Enabled  
**Wired:**  
 Ethernet MAC Address: Enabled  
 Ethernet Speed/Duplex Setting: 9c:93:4e:a2:6e:b8  
 auto  
 Disabled

**Wireless:**

Wireless MAC Address:  
 Network Name (SSID):  
 BSSID:  
 Security Mode:  
 Encryption Algorithm:  
 Status:  
**Wi-Fi Direct:**  
 Wireless Hardware: Enabled  
 Not Installed

Wi-Fi Protected Setup™ (WPS) Name:  
 Access Point (SSID):  
 Show Password on Device Touch Screen:

**NFC:**  
 iBeacon (Bluetooth®) for AirPrint Di...: Enabled  
 iBeacon Hardware: Enabled  
 Not Installed  
 Bluetooth Device Address:  
 iBeacon IP Address:

**Protocols**

**TCP/IPv4:**

Enabled  
 IP Address: 10.61.16.41  
 Subnet Mask: 255.255.255.0  
 Router/Gateway: 10.61.16.1  
 Automatic Addressing: STATIC  
 DHCP Server: 0.0.0.0  
 DHCP Lease Expiration:  
 BOOTP Broadcast: Disabled  
 Self Assigned Address State: Enabled  
 Self Assigned Address:

**TCP/IPv6:**

Disabled  
 Link Local Address:  
 Use Router Supplied Prefix: Enabled  
 Stateless Global Address 1: ::  
 Stateless Global Address 2: ::  
 Manual Address:  
 DHCP Addressing: Use DHCP as directed by a router  
 DHCP Address:  
 Default Gateway:  
 DUID (DHCP Unique Identifier):

**DNS Settings:**

Requested Host Name: XR9C934EA26EB8  
 Verified Host Name:  
 Requested Domain Name:  
 Verified Domain Name:  
 Multicast DNS: Enabled  
 Release DHCP Leases and DNS Registrati...: Disabled  
 Primary DNS Server: ::  
 Prefer IPv6 DNS over IPv4: Enabled

**Bonjour:**

Bonjour Printer Name: Xerox AltaLink B8255 MFP (A2:6E:B8)

**HTTP:**

Force Traffic over Secure Connection (H...): Enabled  
 IPP: Enabled

**SNMP**

SNMP v1/v2: Enabled  
 SNMP v3: Disabled

**LPR/LPD:**

Enabled

**Raw IP Printing:**

Enabled

**LDAP**

LDAP Server 1 Primary LDAP Address: 0.0.0.0:389  
 LDAP Server 1 Search Directory Root:  
 LDAP Server 1 Secure Connection (LDA...): Disabled  
 LDAP Server 1 Validate Server Certificate...: Disabled

**SMTP**

SMTP Server: 0.0.0.0:25  
 Connect Encryption (TLS): No Encryption  
 Validate Server Certificate (TLS):  
 SMTP Authentication Type: Basic Auth with SMTP

**Protocols (cont.)**

<b>POP3</b>	
POP3 Server:	0.0.0.0:110
POP3 Secure Connection (TLS):	Disabled
POP3 Validate Server Certificate:	
E-mail Address:	
<b>NTP:</b>	Disabled
<b>FTP Client:</b>	Enabled
FTP Client Mode:	Passive
<b>Web Services on Device:</b>	Enabled

**Apps****Printing**

Banner Sheet:	Disabled
Error Sheets:	Enabled
Paper Substitution:	Enabled
Tray Priority:	1,2,3,4,5
<b>PostScript</b>	Installed
Level:	3
Version:	3021.101
<b>PCL</b>	
Version:	6
Font Name:	Courier
<b>Custom Color Tables</b>	Enabled
Label:	Not Installed
<b>Fax:</b>	Not Present

Fax Line1:	
Fax Line2:	
<b>Server Fax:</b>	Enabled
Repository Protocol:	SMB
Repository Server:	10.61.23.93:445
Repository Document Path:	/

**Workflow Scanning:**

<b>Email:</b>	Enabled
<b>Scan to Mailbox:</b>	Enabled
Storage Capacity (MB):	46924 MB
Storage Used (MB):	2459 MB
Cleanup of Public Folders:	Enabled
Cleanup of Created Folders:	Enabled
Cleanup Time:	Daily

**Scan to Home:**

<b>Scan To:</b>	Disabled
Cloud Services:	Enabled
<b>Print From:</b>	Disabled
Saved Jobs for Reprint:	Enabled
Print From USB:	Enabled
Print From MailBox:	Disabled
Cloud Services:	Disabled

**Accounting**

Accounting Mode:	None
Network Accounting:	Disabled

**Security****Authentication Configuration**

<b>Machine UI Authentication:</b>	Locally on the Device
Home:	Unlocked
Jobs:	Unlocked
Device:	Unlocked
<b>Device Website Authentication:</b>	Locally on the Device
Authorization:	Locally on the Device
Retrieve E-mail from LDAP:	Enabled
<b>Authentication Server:</b>	Kerberos
<b>Xerox Secure Access:</b>	Disabled
<b>Audit Log:</b>	Enabled
<b>IP Sec:</b>	Disabled
<b>IP Filtering:</b>	Disabled

**Security Certificates**

Machine Certificate:	Signed
Root Certificates Installed:	56
<b>802.1x:</b>	Disabled

**Job Data Removal:**

Scheduled:	Disabled
<b>FIPS 140-3:</b>	Disabled

**TLS:**

TLS Hash:	TLS 1.2 and TLS 1.3
<b>Trellix Embedded Control:</b>	SHA-1, SHA-256 and above
	Enhanced Security

**Common User Data**

Machine Name: Xerox AltaLink B8255 MFP (A2:6E:88)  
 IP Address: 10.61.16.41  
 Machine Serial Number: ZQV624005  
 Fax Line1:  
 Machine URL: https://10.61.16.41  
 Machine Activation Date: Feb 28, 2025 12:23:30  
 Total Impressions: 4296

**Machine Profile**

Xerox Asset Tag:  
 Customer Asset Tag:  
 Service Phone Number:  
 Customer Support Number:  
 Supplies Phone Number:  
 System Administrator: Not set  
 Machine Location: machine location not set

**Managed By**

Primary MB Server: 10.15.46.133:80

**Machine Hardware**

Fax Card: Not Present  
 Fax Memory Size: 0 MB  
 Foreign Interface Card: not present  
 Device RAM Size: 4096 MB  
 Device Storage Size: used= 3296MB/total=256060MB (SSD)  
 EPC Memory Size: 900 MB  
 Finisher Type: Offsetting Catch Tray  
 Finisher Punch: None  
 Finisher Folder: not present  
 Multi-feed Detection Kit: Not Installed

**General Setup**

Remote Services: Enabled  
 Remote Software Download: Enabled  
 Remote Services Trans. Time: 15:45  
 Xerox Workplace Cloud: Enabled  
 E-mail Alerts: Disabled  
 Service Plan: Plan Activated  
 Billing Impression Mode: A3 Impressions  
 Geographic Region: unknown  
 Startup Config Report: Enabled  
 GMT Offset: +05:30  
 Cloning Installation: Allowed (Encrypted Files Only)  
 Allow Print Submission of Clone Files: Enabled  
 File Sharing: Enabled  
 JBIG2: Lossless

**Energy Saver**

Deep Sleep: Disabled  
 Energy Saver Mode: Job Activated  
 Sleep Mode Timer: 0 minutes  
 Auto-Off: Disabled

**Smart Proximity Sensor**

Wake on Arrival: Enabled  
 Sleep on Departure: Disabled  
 Maximize Detection Range: Disabled

**Software Versions**

Device Software: 122.041.005.08500  
 Patch Version: None  
 Network Controller: 122.041.08500  
 UI Panel Firmware: 003.005.00000  
 User Interface: 122.041.08500  
 Marking Engine: 072.001.000  
 Copy Controller: 122.041.08500  
 Document Feeder: 023.026.000  
 Finisher: 000.000.000  
 Fax: 000.000.000  
 OS: 122.005.08410  
 Scanner: 017.024.014  
 Software Upgrade: 122.041.08500  
 Tray 2:  
 Tray 3:  
 Tray 4:

**Machine Upgrades**

Allowed  
 Last Successful Upgrade: March 28, 2025 17:42:58  
 Scheduled Auto Upgrades: Disabled  
 Auto Upgrade Start Time: Daily  
 Auto Upgrade Server: 0.0.0.21

**Media Trays**

Tray 1: Plain, White and Letter (8.5 x 11")  
 Tray 2: Plain, White and A4 (210 x 297 mm)  
 Tray 3: Plain, White and Letter (8.5 x 11")  
 Tray 4: Plain, White and Letter (8.5 x 11")  
 Bypass Tray: Plain, White and x=483mm, y=320mm

**Connectivity**

**Mobile Workflows**

AirPrint Printing: Enabled  
 Mopria Printing: Enabled  
 AirPrint / Mopria Scanning: Enabled  
 Authentication Required: Disabled  
 Universal Print: Disabled  
 Universal Print Registration Status: Not Registered

**Physical Connections**

USB Settings  
 USB Type A Ports: All Enabled  
 USB Type B Port: Enabled  
 Connection Timeout: 5 seconds  
 Wired: Enabled  
 Ethernet MAC Address: 9c:93:4e:a2:6e:b8  
 Ethernet Speed/Duplex Setting: auto  
 Wireless: Disabled

**Wireless**

Wireless MAC Address:  
 Network Name (SSID):  
 BSSID:  
 Security Mode:  
 Encryption Algorithm:  
 Status:  
 Wi-Fi Direct: Enabled  
 Wireless Hardware: Not Installed  
 Wi-Fi Protected Setup™ (WPS) Name:  
 Connection Method:  
 Subnet Prefix Address:  
 Access Point (SSID):  
 Show Password on Device Touch Screen:  
 NFC: Enabled  
 iBeacon (Bluetooth®) for AirPrint Di...: Enabled  
 iBeacon Hardware: Not Installed  
 Bluetooth Device Address:  
 iBeacon IP Address:

**Protocols**

**TCP/IPv4:**

Enabled  
 IP Address: 10.61.16.41  
 Subnet Mask: 255.255.255.0  
 Router/Gateway: 10.61.16.1  
 Automatic Addressing: STATIC  
 DHCP Server: 0.0.0.0  
 DHCP Lease Expiration:  
 BOOTP Broadcast: Disabled  
 Self Assigned Address State: Enabled  
 Self Assigned Address:

**TCP/IPv6:**

Disabled  
 Link Local Address:  
 Use Router Supplied Prefix: Enabled  
 Stateless Global Address 1: ::  
 Stateless Global Address 2: ::  
 Manual Address:  
 DHCP Addressing: Use DHCP as directed by a router  
 DHCP Address:  
 Default Gateway:  
 DUID (DHCP Unique Identifier):

**DNS Settings:**

Requested Host Name: XRX9C934EA26EBB  
 Verified Host Name:  
 Requested Domain Name:  
 Verified Domain Name:  
 Multicast DNS: Enabled  
 Release DHCP Leases and DNS Registrati...: Disabled  
 Primary DNS Server: ::  
 Alternate DNS Server 1: ::  
 Alternate DNS Server 2: ::  
 DNS Connection Timeout: 5  
 Append Device Domain: Enabled  
 Append Parent Domains: Disabled  
 DNS Domain Search List:  
 Prefer IPv6 DNS over IPv4: Enabled

**Installed Options**

PS: Installed

**Protocols (cont.)**

**Bonjour:**  
 Bonjour Printer Name: Xerox AltaLink B8255 MFP (A2:5E:B8)

**HTTP:**  
 Enabled  
 Port Number: 80  
 Force Traffic over Secure Connection (H...): Yes  
 Secure HTTP Port Number: 443  
 Proxy Server: Manual  
 Proxy Server Address: 10.177.8.91:8080  
 IPP: Enabled  
 Secure IPP Mode: IPP and Secure IPPS  
 IPP Network Path: https://10.61.16.41:631

**SNMP**  
 SNMP v1/v2: Enabled  
 SNMP v3: Disabled

**LPR/LPD:**  
 Enabled  
 Port Number: 515  
 PDL Switching: Disabled  
 PDL Banner Override: Disabled

**Raw IP Printing:**  
 Enabled  
 Port Number 1: 9100  
 Bidirectional: Disabled  
 End of Job Timeout: 300  
 PDL Switching: Disabled

**LDAP**  
 LDAP Server 1 Friendly Name:  
 LDAP Server 1 Primary LDAP Address: 0.0.0.0:389  
 LDAP Server 1 Alternate LDAP Address: 0.0.0.0:389  
 LDAP Server 1 Search Directory Root:  
 LDAP Server 1 Secure Connection (LDA...): Disabled  
 LDAP Server 1 Validate Server Certificate...: Disabled

**SMTP**  
 SMTP Server: 0.0.0.0:25  
 Connect Encryption (TLS): No Encryption  
 Validate Server Certificate (TLS):  
 Max Message Size (KB): 10240  
 Number of Fragments: 1  
 Total Job Size (KB): 300000  
 Job Splitting Boundary: Page Boundary  
 Credentials for Auto E-mails: None  
 Credentials for Walkup User: None  
 SMTP Authentication Type: Basic Auth with SMTP

**POP3**  
 POP3 Server: 0.0.0.0:110  
 POP3 Secure Connection (TLS): Disabled  
 E-mail Address:  
 POP3 Validate Server Certificate:  
 Receipt of E-mail via POP3: Disabled  
 Send Confirmation Request: Enabled  
 Incoming E-mail cover sheet: Enabled

**NTP:**  
 Disabled  
 Primary Server: 0.0.0.0:123  
 Alternate Server: 0.0.0.0:123

**SLP:**  
 Disabled

**FTP Client:**  
 Enabled  
 FTP Client Mode: Passive

**Web Services on Device:**  
 Enabled  
 WS-Discovery: Enabled  
 WS-Discovery Multicast: Enabled  
 WS-Print: Enabled  
 WS-Scan: Enabled

**Web Services**  
 Copy Submission: Enabled  
 Digital Certificate Management and Securi...: Enabled  
 Extensible Service Registration: Enabled  
 Job Limits: Enabled  
 Job Management Extension: Enabled  
 Device Configuration: Enabled  
 Scan Submission: Enabled  
 Scan Workflow Management: Enabled  
 Session Data: Enabled  
 User Interface Configuration: Enabled  
 EIP Proxy Configuration: Enabled  
 Xerox Secure Access: Disabled  
 EIP SNMP Configuration: Enabled  
 Print Submission: Enabled  
 Scan Template Mgmt: Enabled  
 Mass Storage Access: Enabled  
 Card Reader Access: Enabled  
 Authentication & Accounting Configur...: Enabled  
 Export Audit Log: Enabled  
 Trellix Embedded Control: Enabled

**Apps**

**Printing**

Banner Sheet: Disabled  
 Sys/Start Job: Disabled  
 Delete Held Jobs After: 3 Day(s) 0 Hour(s) 0 Minute(s)  
 Error Sheets: Enabled  
 Paper Substitution: Enabled  
 Tray Priority: 1,2,3,4,5  
 Default Copies: 1  
 Default Job Type: Normal Print  
 Default Paper Size: x=210mm, y=297mm  
 Default Paper Color: White  
 Default 2 Sided Printing: 2 Sided  
 Default Output Tray: Main Tray  
 Default Output Color: Black & White  
 Default Collated Sets: Enabled  
 Default Stapling: Not Available  
 Offsetting Between Jobs: Offset Between Jobs  
 PostScript: Installed  
 Level: 3  
 Version: 3021.101  
 Image Quality: Standard

**PCL**  
 Version: 6  
 Pitch Size: 10.00  
 Point Size: 12.00  
 Font Name: Courier  
 Lines Per Page: 64  
 Custom Color Tables: Enabled  
 Label: Not Installed  
 Not Present

**Fax:**  
 Fax Line 1:  
 Fax Line 2:

**Server Fax:**  
 Enabled  
 Confirmation Sheet: Errors Only  
 Delay Start: Disabled  
 Repository Protocol: SMB  
 Repository Server: 10.61.23.93:445  
 Repository Document Path: /

**Workflow Scanning:**  
 Enabled  
 Confirmation Sheet: Errors Only  
 Default Repository Protocol: SMB  
 Default Repository Server: 0.0.0.0:0  
 Default Repository Document Path:  
 Default Repository Login Credentials: Device  
 Alt1 Repository Protocol: SMB  
 Alt1 Repository Server: 0.0.0.0:0  
 Alt1 Repository Document Path:  
 Alt1 Repository Login Credentials: Device  
 Workflow Pool Protocol: SMB  
 Workflow Pool Server: 0.0.0.0:0  
 Workflow Pool Path:

**Email:**  
 Enabled  
 Default From Address:  
 Confirmation Sheet: Errors Only  
 Auto Send to Self: Disabled  
 E-mail Security: Disabled

**Scan to Mailbox:**  
 Enabled  
 View Mailboxes by Default: Enabled  
 Storage Capacity (MB): 46924 MB  
 Storage Used (MB): 2459 MB  
 Cleanup of Public Folders: Enabled  
 Cleanup of Created Folders: Enabled  
 Cleanup Time: Daily

**Scan to Home:**  
 Disabled  
 Friendly Name:  
 Workflow Name:  
 Auto Create Subdir: Disabled  
 Append User Name to Path: Disabled  
 Auto Create User Name Dir: Disabled

**Scan To:**  
 Enabled  
 Cloud Services: Disabled

**Print From:**  
 Enabled  
 Saved Jobs for Reprint: Enabled  
 Print From USB: Enabled  
 Print From MailBox: Disabled  
 Cloud Services: Disabled

**Accounting**

Accounting Mode: None  
 Network Accounting: Disabled

**Security****Authentication Configuration**

Machine UI Authentication: Locally on the Device  
 Home: Unlocked  
 Jobs: Unlocked  
 Device: Unlocked  
 Device Website Authentication: Locally on the Device  
 Authorization: Locally on the Device  
 Retrieve E-mail from LDAP: Enabled

**Authentication Server:**

Kerberos  
 Kerberos Primary Realm:  
 Kerberos Primary Address: 0.0.0.88  
 Kerberos Alt 1 Realm:  
 Kerberos Alt 1 Address: 0.0.0.88  
 SMB NT Domain:  
 SMB Alt 1 NT Domain:  
 Smartcard Ctrl Server: 0.0.0.443  
 Smartcard Ctrl Domain:  
 SmartCard OCSP URL:  
 Card Reader Upgrade Policy: Enabled  
 Card Reader Firmware Version:

**Xerox Secure Access:**

Secure Access Server: Disabled  
 Secure Access Path: 0.0.0.443

**Audit Log:**

Enabled

**IP Sec:**

Disabled

**IP Filtering:**

Disabled

**Security Certificates**

Machine Certificate: Signed  
 Root Certificates Installed: 56

**802.1x:**

Disabled

**Job Data Removal:**

Scheduled: Disabled  
 Scheduled Frequency:

**FIPS 140-3:**

Disabled

**TLS:**

TLS 1.2 and TLS 1.3  
 SHA-1, SHA-256 and above

**Trellix Embedded Control:**

Enhanced Security

**Extensible Service Setup**

Third Generation Browser: X3G\_3.24.23\_2.40.5\_011\_01.00.00  
 Widget Version: v1.3.17 c8 20140613  
 Widget Version: v2.5.04 g9 20240123

# Σύνοψη χρέωσης

## Πληροφορίες συστήματος

Όνομα μηχανήματος:	Xerox AltaLink B8255 MFP (A2:6E:B8)
Σειριακός αριθμός μηχανήματος:	ZQV624005
Αποτυπώσεις ενεργοπ..:	167

<b>Εκδόσεις λογισμικού</b>	
Λογισμικό συσκευής:	122.041.005.08500
Έκδοση ενημέρωσης κώδικα:	None
Ελεγκτής δικτύου:	122.041.08500
Υλικολογισμικό πίνακα περιβάλλοντος εργασίας χρήστη:	003.005.00000
Μηχανή αποτυπώσεων:	072.001.000
Τροφοδότης εγγράφων:	023.026.000
Τελικός επεξεργαστής:	000.000.000
Φαξ:	000.000.000
Σαρωτής:	017.024.014

## Μετρητές χρέωσης

### Φαξ

Απεσταλμένα είδωλα ενσωματωμένου φαξ:	0
Αποτυπώσεις ενσωματωμένου φαξ:	0

### Αντιγραφή

Ασπρόμαυρα αντίγραφα αποτυπώσεων: 836

### Εκτύπωση

Ασπρόμαυρες εκτυπώσεις αποτυπώσεων: 3357

### Σάρωση

Απεσταλμένα είδωλα σάρωσης δικτύου: 361  
Απεσταλμένα είδωλα email: 1

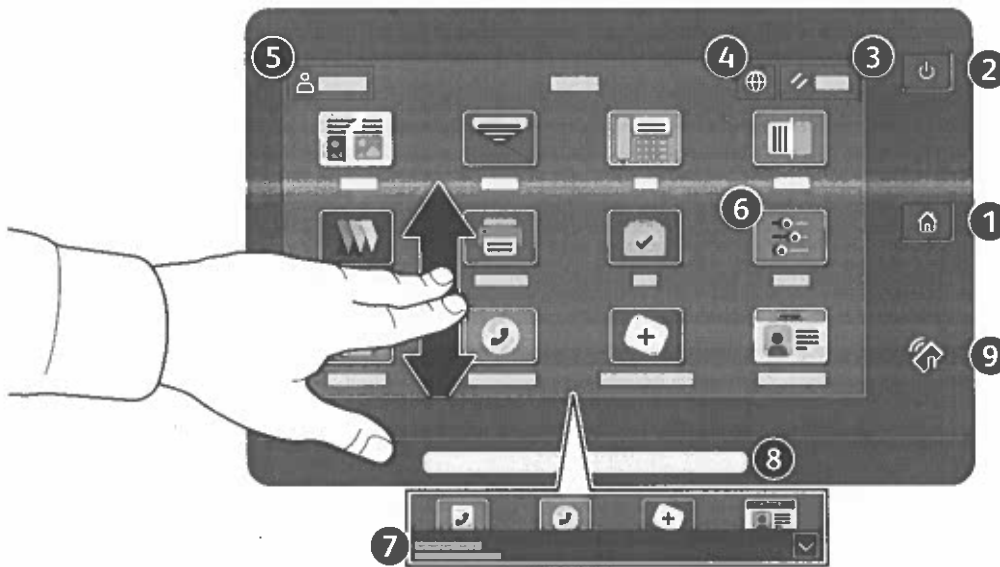
## Σύνολα συσκευής

Σύνολο αποτυπώσεων: 4296

Κοινό χαρτί:	472
Γυαλ. επιστρωμένο χαρτί:	3
Βαρύ γυαλιστερό:	4

## Πίνακας ελέγχου

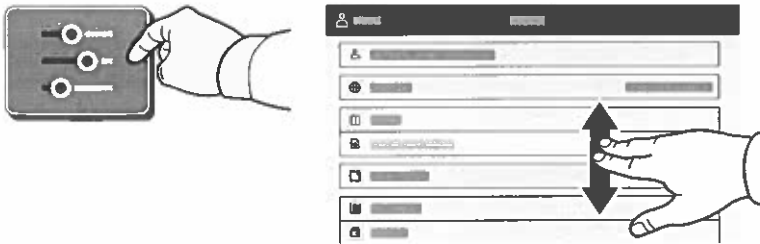
Οι διαθέσιμες εφαρμογές μπορεί να διαφέρουν ανάλογα με τη ρύθμιση του εκτυπωτή σας. Για λεπτομέρειες σχετικά με τις εφαρμογές και τις λειτουργίες, ανατρέξτε στον *Οδηγό χρήσης*.



- 1 Αρχική σελίδα επαναφέρει στην κύρια οθόνη της εφαρμογής.
- 2 Τροφοδοσία/Επανεργοποίηση εκκινεί τον εκτυπωτή ή παρέχει επιλογές για τη λειτουργία αδράνειας, την επανεκκίνηση ή την απενεργοποίηση του εκτυπωτή.
- 3 Επαναφορά επαναφέρει τις ρυθμίσεις στις προεπιλεγμένες τιμές τους σε όλες τις εφαρμογές.
- 4 Γλώσσα παρέχει επιλογή για τις γλώσσες της οθόνης.
- 5 Σύνδεση παρέχει ειδική πρόσβαση σε εργαλεία και ρυθμίσεις.
- 6 Εφαρμογή συσκευής παρέχει πρόσβαση σε πληροφορίες και ρυθμίσεις του εκτυπωτή.
- 7 Το παράθυρο ειδοποιήσεων εμφανίζει την κατάσταση και προειδοποιήσεις του εκτυπωτή. Για να δείτε όλες τις ειδοποιήσεις, αγγίξτε το παράθυρο. Για να κλείσετε το παράθυρο, αγγίξτε το κάτω βέλος.
- 8 Η ενδεικτική λυχνία LED κατάστασης υποδεικνύει την κατάσταση του εκτυπωτή. Για αναλυτικές πληροφορίες, ανατρέξτε στον *Οδηγό χρήσης*.
- 9 Περιοχή NFC επιτρέπει σύζευξη με κινητή συσκευή για εκτύπωση ή σάρωση από μια εφαρμογή.

## Εφαρμογή συσκευής

Η Εφαρμογή συσκευής παρέχει πρόσβαση στην κατάσταση αναλωσίμων, σε πληροφορίες και ρυθμίσεις του εκτυπωτή. Για ορισμένα μενού και ρυθμίσεις απαιτείται σύνδεση χρησιμοποιώντας το όνομα και τον κωδικό πρόσβασης διαχειριστή.



## Στοιχεία χρέωσης και χρήσης

Στο μενού λειτουργιών της συσκευής, για την προβολή βασικών μετρήσεων των αποτυπώσεων, επιλέξτε **Χρέωση/Χρήση**. Για την προβολή αναλυτικών μετρήσεων χρήσης, επιλέξτε **Μετρητές χρήσης**. Η λίστα περιέχει αναλυτικές κατηγορίες με τις μετρήσεις αποτυπώσεων.

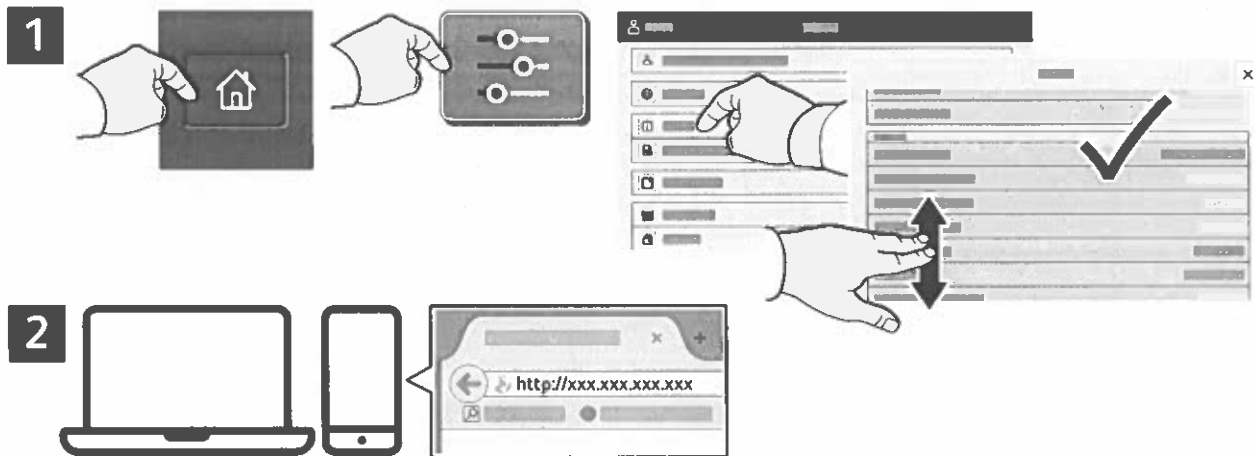


## Ενσωματωμένος διακομιστής Web

Ο Xerox® Ενσωματωμένος διακομιστής Web σας επιτρέπει να έχετε πρόσβαση μέσω δικτύου σε στοιχεία διαμόρφωσης του εκτυπωτή, στην κατάσταση του χαρτιού και των αναλωσίμων, στην κατάσταση εργασιών και σε διαγνωστικές λειτουργίες. Μπορείτε επίσης να διαχειριστείτε φαξ, email και βιβλία διευθύνσεων.

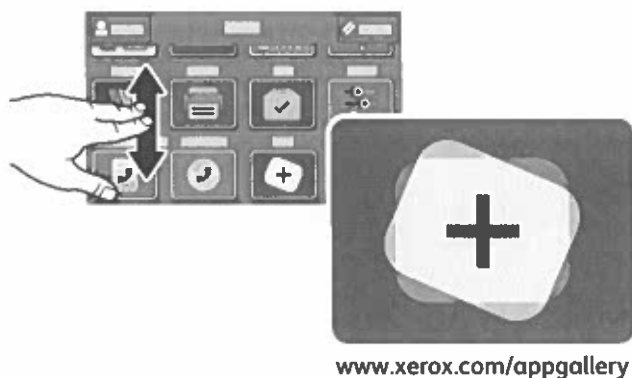
Για να συνδεθείτε, σε ένα πρόγραμμα περιήγησης Web πληκτρολογήστε τη διεύθυνση IP του εκτυπωτή. Η διεύθυνση IPv4 του δικτύου υπάρχει στην οθόνη αφής του πίνακα ελέγχου. Επιλέξτε εφαρμογή **Συσκευή > Πληροφορίες** και μετακινηθείτε προς τα κάτω.

Για λεπτομέρειες για τη χρήση του Ενσωματωμένου διακομιστή Web, ανατρέξτε στον *Οδηγό χρήσης* στον ιστότοπο Xerox.com.



## App Gallery

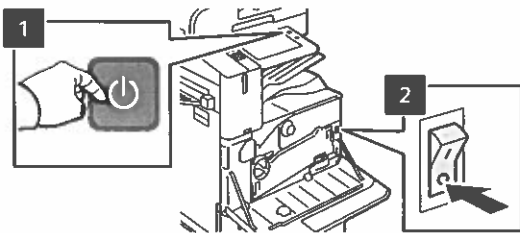
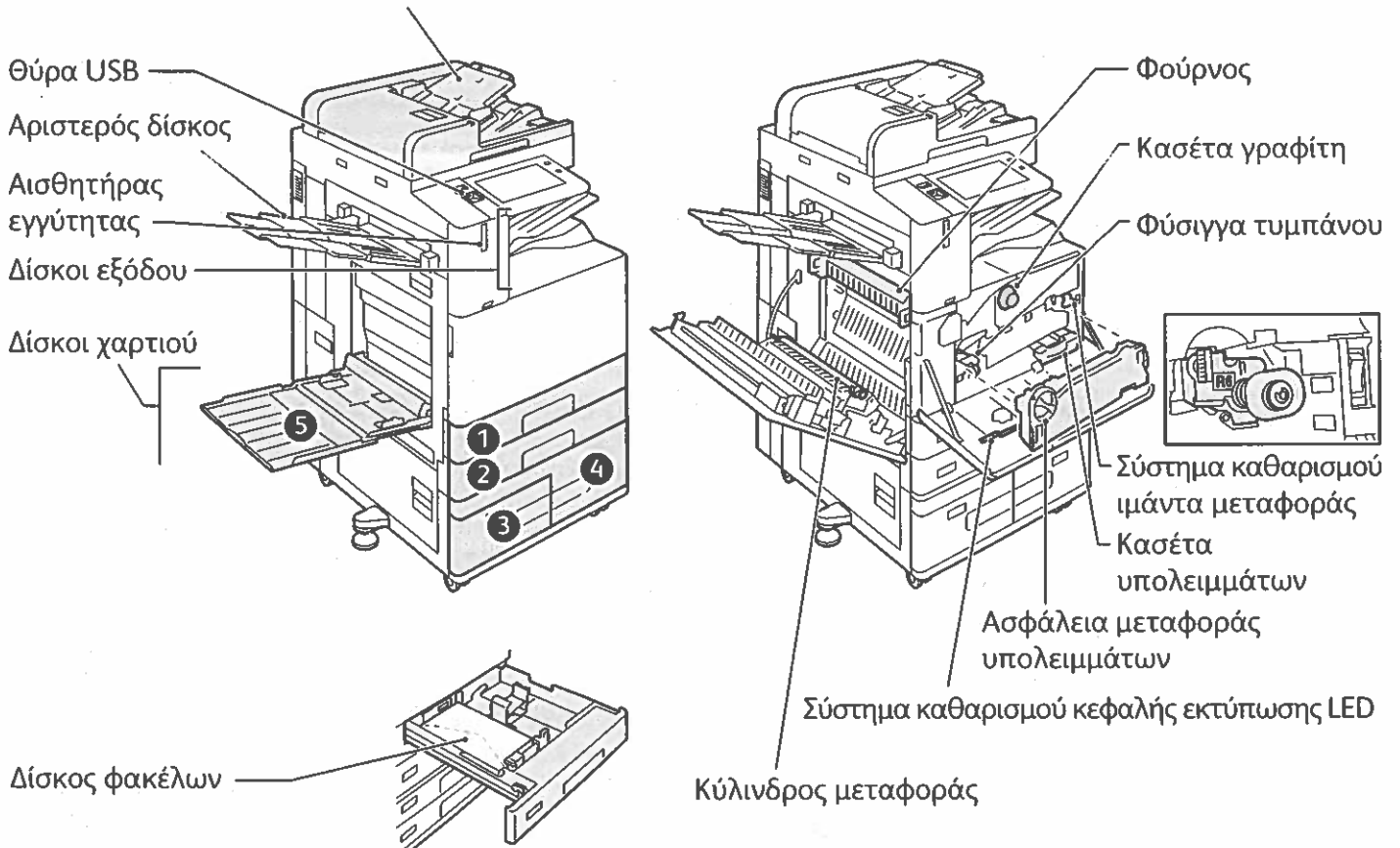
Το Xerox App Gallery διαθέτει μια εκτεταμένη συλλογή εφαρμογών παραγωγικότητας τις οποίες μπορείτε να εγκαταστήσετε στον εκτυπωτή σας. Βρείτε την εφαρμογή στην αρχική οθόνη σας και δημιουργήστε απευθείας τη σύνδεσή σας ή μεταβείτε στη διεύθυνση [www.xerox.com/appgallery](http://www.xerox.com/appgallery) για να συνδεθείτε και να προσθέσετε τη συσκευή σας. Για να απλοποιήσετε την εγκατάσταση εφαρμογής, χρησιμοποιήστε το ίδιο όνομα με τα διαπιστευτήρια σύνδεσης του App Gallery που χρησιμοποιήσατε για τη σύνδεση του εκτυπωτή.



## Γνωριμία με τον εκτυπωτή

Τα προαιρετικά εξαρτήματα μπορεί να αποτελούν μέρος της διαμόρφωσης του εκτυπωτή σας. Για λεπτομέρειες, ανατρέξτε στον *Οδηγό χρήσης*.

Αυτόματος τροφοδότης εγγράφων διπλής όψης (DADF) μονού περάσματος



Για να επανεκκινήσετε τον εκτυπωτή, στον πίνακα ελέγχου πατήστε τον δευτερεύοντα διακόπτη λειτουργίας (1).

Για την πλήρη απενεργοποίηση του εκτυπωτή, πατήστε τον δευτερεύοντα διακόπτη λειτουργίας (1). Πίσω από το μπροστινό κάλυμμα, πατήστε τον κύριο διακόπτη λειτουργίας (2).

Για να επιλέξετε τη λειτουργία αδράνειας, πατήστε τον δευτερεύοντα διακόπτη λειτουργίας (1). Στην οθόνη αφής του πίνακα ελέγχου του εκτυπωτή, πατήστε σε μια επιλογή.

## Χειρισμός χαρτιού

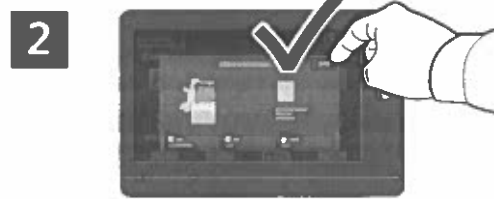
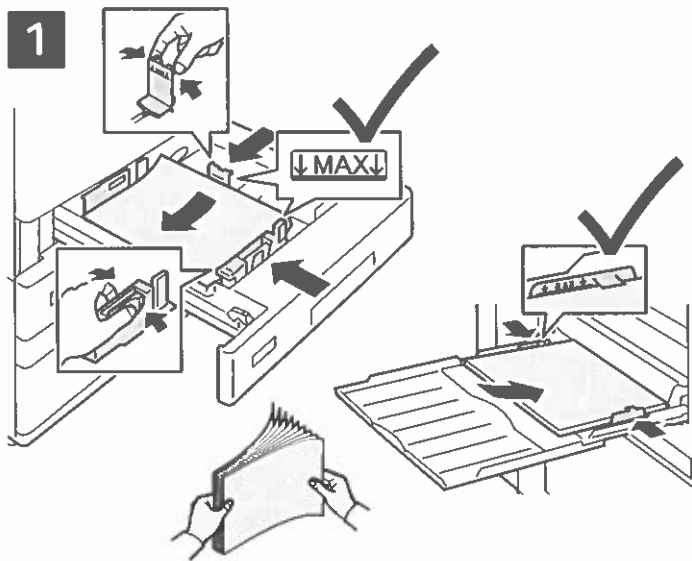
Για μια πλήρη λίστα χαρτιών που συνεργάζονται με τον εκτυπωτή σας, ανατρέξτε στην ενότητα Recommended Media List (Κατάλογος συνιστώμενων μέσων εκτύπωσης) στη διεύθυνση:

[www.xerox.com/rmlna](http://www.xerox.com/rmlna) (ΗΠΑ και Καναδάς)

[www.xerox.com/rml.eu](http://www.xerox.com/rml.eu) (Ευρώπη)

Για λεπτομέρειες σχετικά με τους δίσκους και το χαρτί, ανατρέξτε στον Οδηγό χρήσης.

## Τοποθέτηση χαρτιού



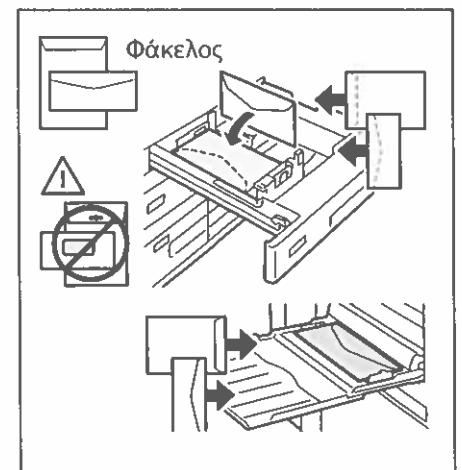
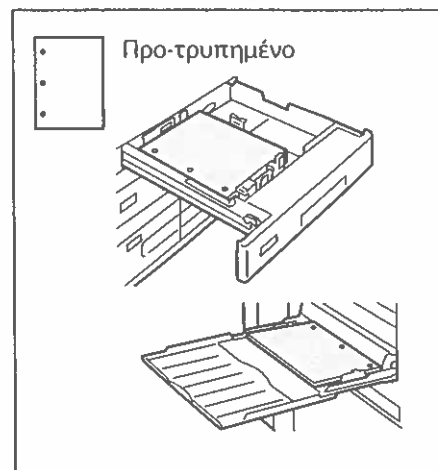
Εάν χρειάζεται, επιβεβαιώστε ή αλλάξτε τις ρυθμίσεις μεγέθους και είδους.



Για καλύτερα αποτελέσματα, ξεφυλλίστε τις άκρες του χαρτιού. Ρυθμίστε τους οδηγούς σύμφωνα με το μέγεθος χαρτιού. Μην τοποθετείτε χαρτί επάνω από τη γραμμή μέγιστης πλήρωσης.

Κατά την εκτύπωση, προβείτε σε επιλογές στο πρόγραμμα οδήγησης εκτύπωσης.

## Προσανατολισμός χαρτιού



# Αντιγραφή

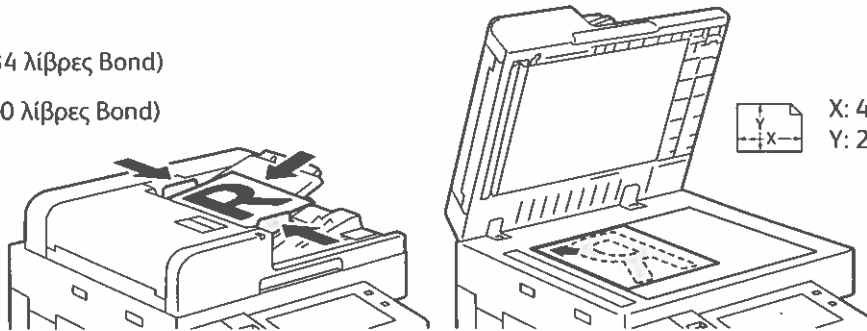
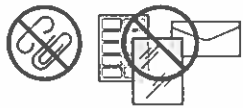
Για λεπτομέρειες, ανατρέξτε στο κεφάλαιο *Αντιγραφή* στον *Οδηγό χρήσης*.

1

X: 85-432 χλστ. (3,3-17 ίντσες)  
Y: 125-297 χλστ. (4,9-11,7 ίντσες)

38-128 g/m<sup>2</sup>  
(26 λίβρες Text-34 λίβρες Bond)

≤130 (80 g/m<sup>2</sup>, 20 λίβρες Bond)



Τοποθετήστε τα πρωτότυπα.

2

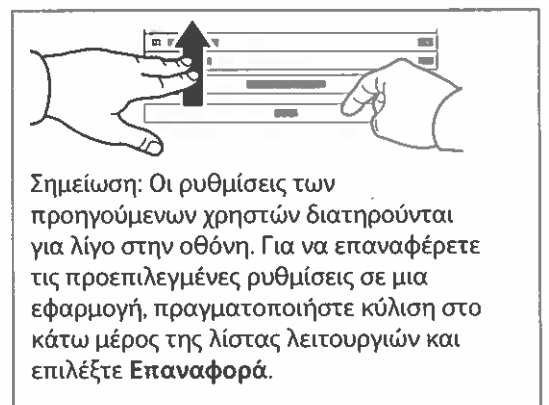


Επιλέξτε **Αντιγραφή** και μετά τον αριθμό των αντιγράφων.

3



Επιλέξτε ρυθμίσεις λειτουργιών από τη λίστα και μετά επιλέξτε **Έναρξη**.



## Σάρωση και αποστολή με Email

Εάν ο εκτυπωτής είναι συνδεδεμένος σε δίκτυο, μπορείτε να επιλέξετε έναν προορισμό για το σαρωμένο είδωλο στον πίνακα ελέγχου του εκτυπωτή.

Αυτός ο οδηγός ορίζει τεχνικές για τη σάρωση εγγράφων χωρίς προετοιμασία ειδικών ρυθμίσεων:

- Σάρωση εγγράφων σε μια διεύθυνση email.
- Σάρωση εγγράφων σε ένα από τα αποθηκευμένα Αγαπημένα, στη λίστα του Βιβλίου διευθύνσεων ή σε μονάδα Flash USB.
- Σάρωση εγγράφων στον προεπιλεγμένο δημόσιο φάκελο στη μονάδα σκληρού δίσκου του εκτυπωτή και ανάκτησή τους χρησιμοποιώντας το πρόγραμμα περιήγησης Web.

Για λεπτομέρειες και περισσότερες ρυθμίσεις σάρωσης, ανατρέξτε στον *Οδηγό χρήσης*. Για λεπτομέρειες σχετικά με τη ρύθμιση του βιβλίου διευθύνσεων και του προτύπου ροής εργασίας, ανατρέξτε στο *System Administrator Guide (Οδηγός διαχειριστή συστήματος)*.

1



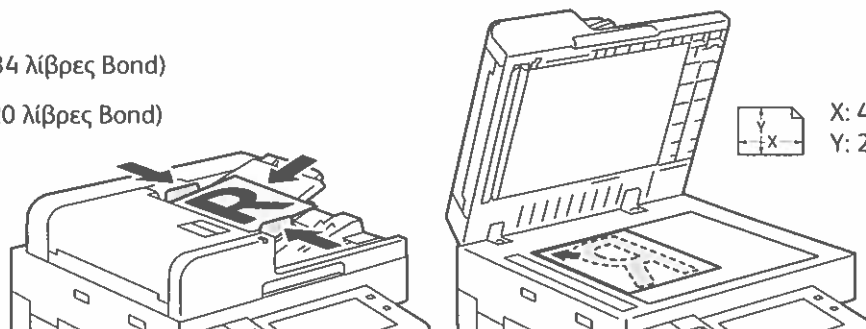
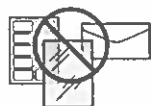
X: 85-432 χλστ. (3,3-17 ίντσες)  
Y: 125-297 χλστ. (4,9-11,7 ίντσες)



38-128 g/m<sup>2</sup>  
(26 λίβρες Text-34 λίβρες Bond)



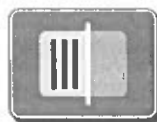
≤130 (80 g/m<sup>2</sup>, 20 λίβρες Bond)



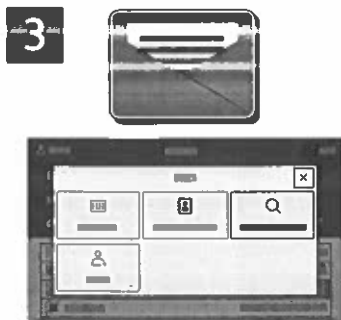
X: 432 χλστ. (17 ίντσες)  
Y: 297 χλστ. (11,7 ίντσες)

Τοποθετήστε τα πρωτότυπα.

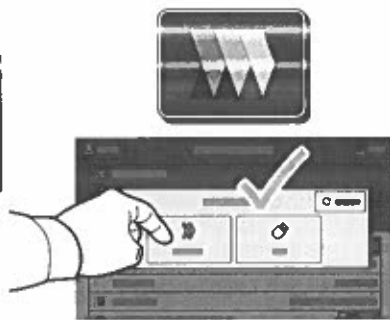
2



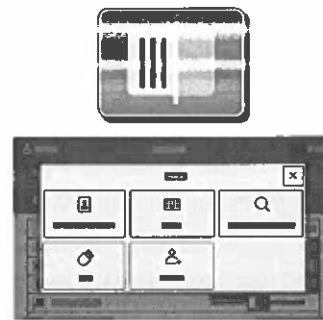
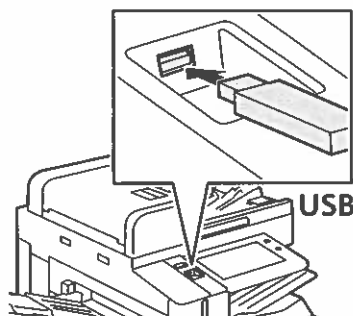
Πατήστε το πλήκτρο **Αρχική σελίδα** και, στη συνέχεια, για αποστολή της σάρωσης με email, επιλέξτε **Email**. Για σάρωση στον προεπιλεγμένο δημόσιο φάκελο ή σε μονάδα Flash USB, επιλέξτε **Σάρωση ροής εργασίας**. Εάν ο προορισμός της σάρωσής σας είναι αποθηκευμένος στο Βιβλίο διευθύνσεων ή στα Αγαπημένα, επιλέξτε **Σάρωση σε**.



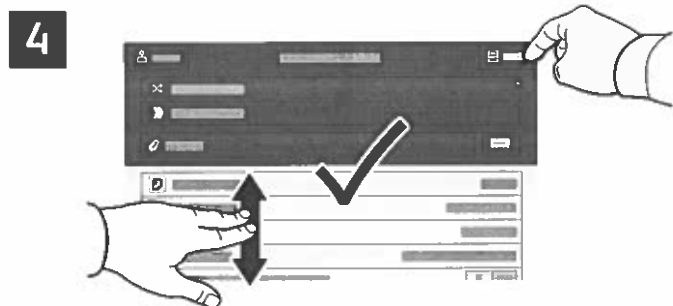
Για αποστολή με Email, επιλέξτε **Μη αυτόματη καταχώρηση**, πληκτρολογήστε τη διεύθυνση email χρησιμοποιώντας το πληκτρολόγιο της οθόνης αφής και μετά επιλέξτε **Προσθήκη**. Για να προσθέσετε περισσότερες από μία διευθύνσεις email στη λίστα, επιλέξτε **Προσθήκη παραλήπτη**. Για να πληκτρολογήσετε μια γραμμή θέματος για το email, επιλέξτε **Θέμα**. Για να επιλέξετε αποθηκευμένες διευθύνσεις email, χρησιμοποιήστε το Βιβλίο διευθύνσεων συσκευής ή επιλέξτε από τα Αγαπημένα.



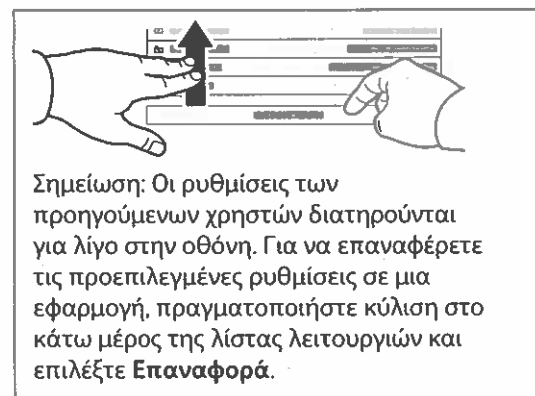
Για τη λειτουργία Σάρωση ροής εργασίας, επιλέξτε **Προεπιλεγμένος δημόσιος φάκελος** ή τοποθετήστε τη μονάδα Flash USB.



Για τη λειτουργία «Σάρωση σε», επιλέξτε έναν τύπο προορισμού και, στη συνέχεια, εισαγάγετε τις κατάλληλες πληροφορίες. Για να προσθέσετε περισσότερους από έναν προορισμούς στη λίστα, επιλέξτε **Προσθήκη προορισμού**.



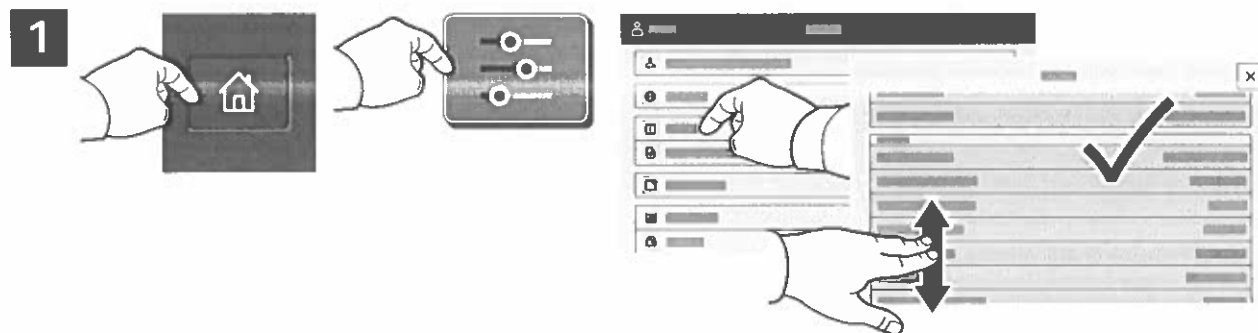
Αλλάξτε τις ρυθμίσεις όπως απαιτείται και, στη συνέχεια, επιλέξτε **Σάρωση**, ή για τη λειτουργία Email, επιλέξτε **Αποστολή**.



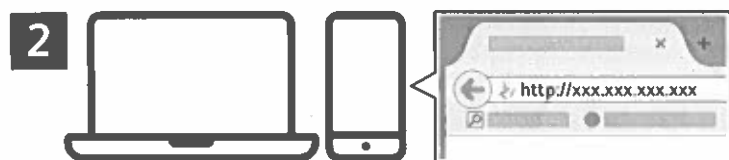
**Σημείωση:** Οι ρυθμίσεις των προηγούμενων χρηστών διατηρούνται για λίγο στην οθόνη. Για να επαναφέρετε τις προεπιλεγμένες ρυθμίσεις σε μια εφαρμογή, πραγματοποιήστε κύλιση στο κάτω μέρος της λίστας λειτουργιών και επιλέξτε **Επαναφορά**.

## Ανάκτηση αρχείων σάρωσης

Για να λάβετε τα σαρωμένα είδωλά σας από τον προεπιλεγμένο δημόσιο φάκελο στον εκτυπωτή, χρησιμοποιήστε τον Ενσωματωμένο διακομιστή Web. Μπορείτε να ρυθμίσετε προσωπικούς φακέλους και πρότυπα σάρωσης ροής εργασίας στον Ενσωματωμένο διακομιστή Web. Για λεπτομέρειες, ανατρέξτε στον *Οδηγό χρήσης*.



Σημειώστε τη διεύθυνση IP του εκτυπωτή που εμφανίζεται στην οθόνη αφής. Εάν η διεύθυνση IP δεν εμφανίζεται στο πάνω μέρος της οθόνης αφής, πατήστε το πλήκτρο Αρχική σελίδα, επιλέξτε **Συσκευή > Πληροφορίες** και, στη συνέχεια, πραγματοποιήστε κύλιση για να ελέγξετε τη διεύθυνση IP.



Σε ένα πρόγραμμα περιήγησης Web, πληκτρολογήστε τη διεύθυνση IP του εκτυπωτή και μετά πατήστε **Enter** ή **Return**.



Κάντε κλικ στην καρτέλα **Σάρωση**.

4



Ορίστε την επιλογή **Προεπιλεγμένος δημόσιος φάκελος** και, στη συνέχεια, βρείτε τη σάρωσή σας στη λίστα. Για να λάβετε τη σάρωση, κάντε κλικ στην επιλογή **Μετάβαση**.

Για ανανέωση της λίστας, κάντε κλικ στο **Ενημέρωση προβολής**.

Για αποθήκευση του αρχείου στον υπολογιστή σας, επιλέξτε **Λήψη**.  
Για εκτύπωση ξανά του αποθηκευμένου αρχείου, επιλέξτε **Επανεκτύπωση**.  
Για οριστική κατάργηση της αποθηκευμένης εργασίας, επιλέξτε **Διαγραφή**.  
Για άνοιγμα ενός καταλόγου, επιλέξτε **Άνοιγμα**.

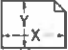
## Φαξ

Μπορείτε να στείλετε φαξ με έναν από τους παρακάτω τέσσερις τρόπους:

- **Φαξ** για σάρωση του εγγράφου και μετά απευθείας αποστολή του σε μια συσκευή φαξ.
- **Φαξ μέσω διακομιστή** για σάρωση και αποστολή του εγγράφου σε ένα διακομιστή φαξ, ο οποίος μεταδίδει το έγγραφο σε μια συσκευή φαξ.
- **Διαδικτυακό φαξ** για σάρωση και αποστολή του εγγράφου μέσω ηλεκτρονικού ταχυδρομείου σε έναν παραλήπτη.
- **Φαξ LAN** για αποστολή της τρέχουσας εργασίας εκτύπωσης ως φαξ.

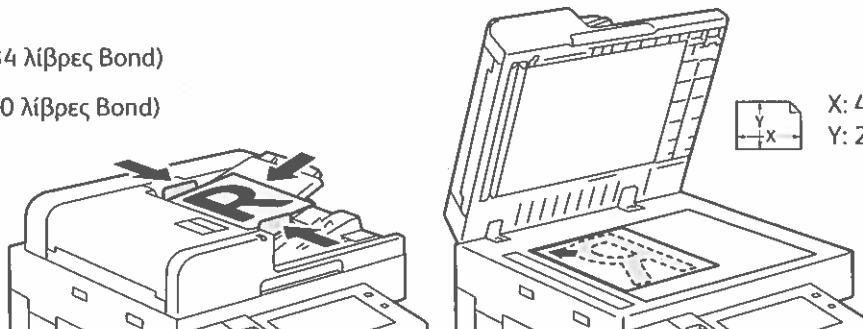
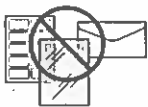
Για λεπτομέρειες, ανατρέξτε στον *Οδηγό χρήσης*. Για λεπτομέρειες σχετικά με τη λειτουργία Φαξ LAN, ανατρέξτε στο λογισμικό του προγράμματος οδήγησης εκτύπωσης. Για λεπτομέρειες σχετικά με τη ρύθμιση του φαξ και τις προηγμένες ρυθμίσεις, ανατρέξτε στο *System Administrator Guide (Οδηγός διαχειριστή συστήματος)*.

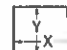
1

 X: 85-432 χλστ. (3,3-17 ίντσες)  
Y: 125-297 χλστ. (4,9-11,7 ίντσες)

 38-128 g/m<sup>2</sup>  
(26 λίβρες Text-34 λίβρες Bond)

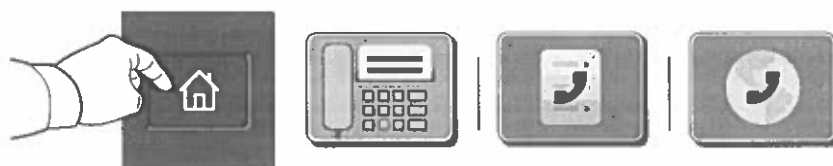
 ≤130 (80 g/m<sup>2</sup>, 20 λίβρες Bond)



 X: 432 χλστ. (17 ίντσες)  
Y: 297 χλστ. (11,7 ίντσες)

Τοποθετήστε το πρωτότυπο.

2



Για αποστολή του φαξ σε μια συσκευή φαξ, πατήστε το πλήκτρο **Αρχική σελίδα** και μετά επιλέξτε **Φαξ** ή **Φαξ μέσω διακομιστή**.

Για αποστολή του φαξ ως συνημμένο email, επιλέξτε **Αρχική σελίδα** και μετά επιλέξτε **Διαδικτυακό φαξ**.



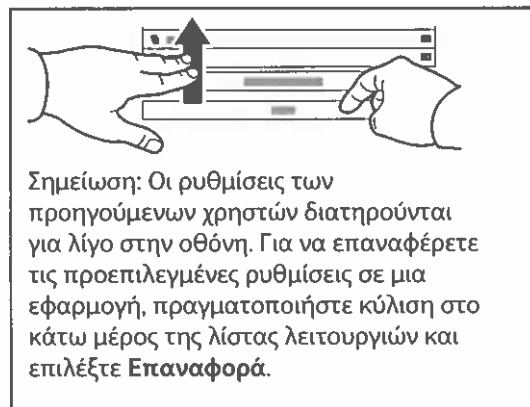
Για τους αριθμούς φαξ, επιλέξτε **Μη αυτόματη καταχώριση** και, στη συνέχεια, εισάγετε τον αριθμό φαξ χρησιμοποιώντας τα αλφαριθμητικά πλήκτρα και τους ειδικούς χαρακτήρες στην οθόνη αφής. Επιλέξτε **Προσθήκη**. Για να προσθέσετε περισσότερους αριθμούς φαξ στη λίστα, επιλέξτε **Προσθήκη παραλήπτη**.

Για διευθύνσεις email στη λειτουργία Διαδικτυακό φαξ, επιλέξτε **Μη αυτόματη καταχώριση** και, στη συνέχεια, εισαγάγετε τη διεύθυνση email χρησιμοποιώντας το πληκτρολόγιο της οθόνης αφής. Επιλέξτε **Προσθήκη**. Για να προσθέσετε περισσότερες διευθύνσεις email στη λίστα, επιλέξτε **Προσθήκη παραλήπτη**.

Για να επιλέξετε αποθηκευμένους αριθμούς, χρησιμοποιήστε το Βιβλίο διευθύνσεων συσκευής ή τα Αγαπημένα. Για να επιλέξετε αποθηκευμένες τοποθεσίες φαξ, χρησιμοποιήστε τη λειτουργία Θυρίδα ή Τηλεπαραλαβή.

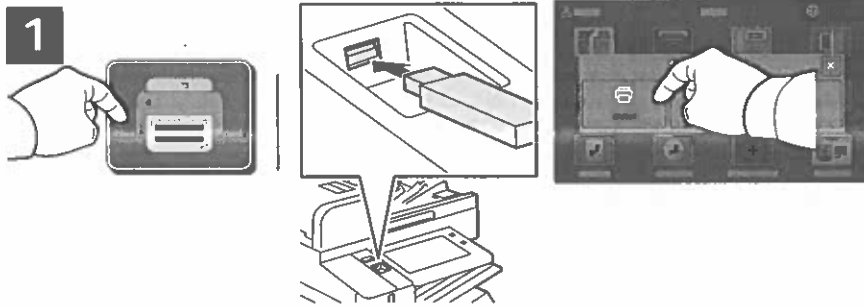


Τροποποιήστε τις ρυθμίσεις όπως χρειάζεται και, στη συνέχεια, επιλέξτε **Αποστολή**.

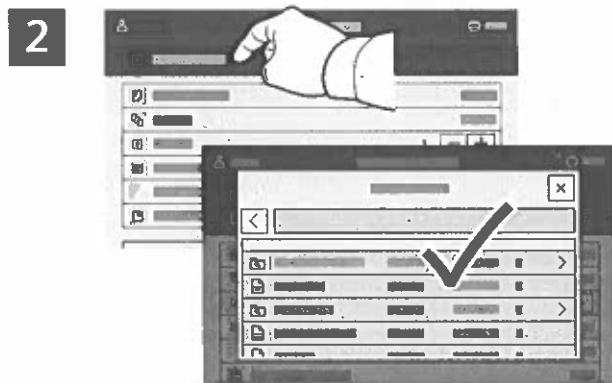


## Εκτύπωση από μονάδα Flash USB

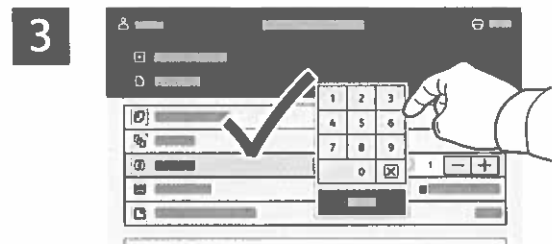
Μπορείτε να εκτυπώσετε αρχεία .pdf, .tiff, .ps, .xps και άλλους τύπους αρχείων απευθείας από μια μονάδα Flash USB. Για περισσότερες πληροφορίες, ανατρέξτε στον *Οδηγό χρήσης*.



Επιλέξτε **Εκτύπωση από** ή τοποθετήστε τη μονάδα Flash USB και μετά επιλέξτε **Εκτύπωση από USB**.



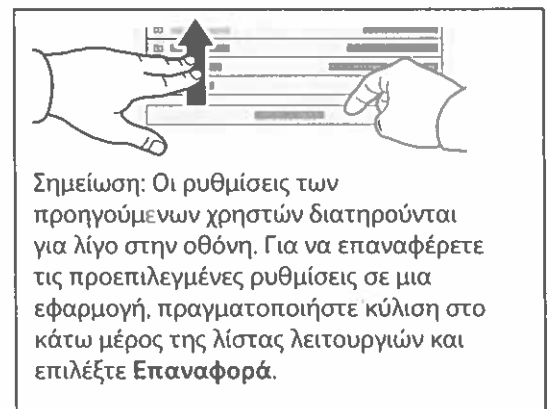
Επιλέξτε **Προσθήκη εγγράφου**, μεταβείτε στα αρχεία και επιλέξτε τα.



Για να επιλέξετε τον αριθμό των αντιγράφων, πατήστε στο σύμβολο συν (+) ή στο σύμβολο πλην (-). Για μεγαλύτερους αριθμούς, επιλέξτε **Ποσότητα** και εισαγάγετε έναν αριθμό.



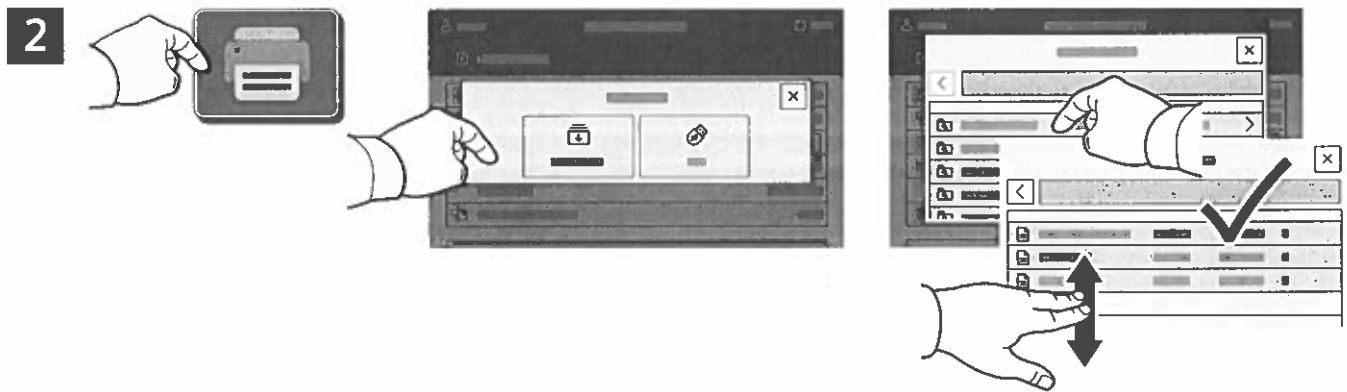
Επιλέξτε τις ρυθμίσεις που πρέπει και μετά επιλέξτε **Εκτύπωση**.



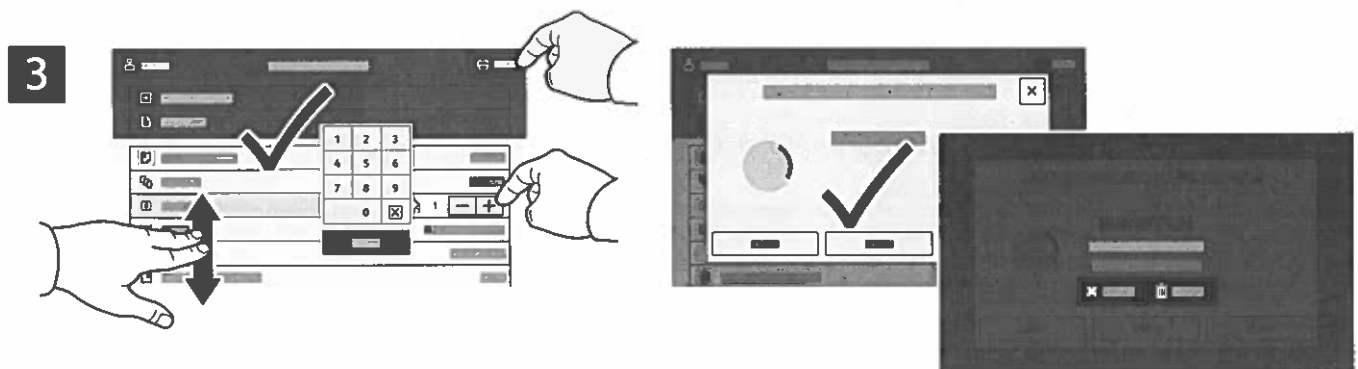
## Εκτύπωση εργασιών που είναι αποθηκευμένες στον εκτυπωτή



Μπορείτε να στείλετε μια εργασία εκτύπωσης για αποθήκευση στον εκτυπωτή και μετά να επιλέξετε την εργασία από τον πίνακα ελέγχου του εκτυπωτή για μεταγενέστερη εκτύπωση. Οι εργασίες μπορούν να αποθηκευτούν στο δημόσιο φάκελο ή να προστατεύονται με κωδικό πρόσβασης. Στο πρόγραμμα οδήγησης εκτύπωσης Xerox®, επιλέξτε **Ιδιότητες (Windows)** ή **Λειτουργίες Xerox (Mac OS)** και μετά **Είδος εργασίας**. Επιλέξτε **Αποθηκευμένη εργασία** ή **Ασφαλής εκτύπωση**. Για την Ασφαλή εκτύπωση, πληκτρολογήστε έναν κωδικό πρόσβασης. Κάντε κλικ στο **OK** και εκτυπώστε την εργασία.



Επιλέξτε **Εκτύπωση από και μετά Αποθηκευμένες εργασίες**. Επιλέξτε τον **Προεπιλεγμένο κοινό φάκελο** και μετά επιλέξτε την εργασία εκτύπωσης.



Από τη λίστα, επιλέξτε ρυθμίσεις. Για να επιλέξετε τον αριθμό των αντιγράφων, πατήστε στο σύμβολο συν (+) ή στο σύμβολο πλην (-). Για μεγαλύτερους αριθμούς, επιλέξτε **Ποσότητα** και εισαγάγετε έναν αριθμό. Επιλέξτε **Εκτύπωση**. Για να διαγράψετε την εργασία, στην οθόνη εκτύπωσης και στην οθόνη επιβεβαίωσης, επιλέξτε **Διαγραφή**.

## Troubleshooting Print Quality

Your Xerox® AltaLink® B8245/B8255/B8270 Multifunction Printer is designed to produce high-quality prints consistently. If you observe print-quality problems, use the information on these pages to troubleshoot the problems. For detailed online support information, go to [www.xerox.com/office/support](http://www.xerox.com/office/support).

**CAUTION:** The Xerox® warranty, Service Agreement, or Total Satisfaction Guarantee does not cover damage caused by using unsupported paper, transparencies, or other specialty media. The Total Satisfaction Guarantee is available in the United States and Canada. Coverage can vary outside of these areas. For details, contact your local representative.

### Paper Type

**CAUTION:** If you change the type of paper in the tray, change the paper type at the control panel to match the paper in the tray. If you fail to change the paper type, it can cause print-quality problems and damage the fuser.

For the best results, only use recommended Xerox® paper and media. Xerox® paper and media are guaranteed to produce excellent results on your Xerox® AltaLink® B8245/B8255/B8270 Multifunction Printer. To order Xerox® paper and media, go to [www.xerox.com/office/supplies](http://www.xerox.com/office/supplies).

For a complete list of recommended paper for your printer, go to:

- North America: [www.xerox.com/rmlna](http://www.xerox.com/rmlna)
- Europe: [www.xerox.com/rmleu](http://www.xerox.com/rmleu)

### Solving Print-Quality Problems

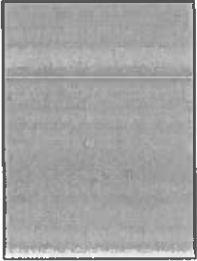
Use the following tables to find specific solutions to print-quality problems.

**Note:** The images that appear represent long-edge feed prints. If you print short-edge feed, the print-quality defects are rotated 90 degrees. The images that appear are for reference only. Not all pages represented are printed.

## Solving Print-Quality Problems

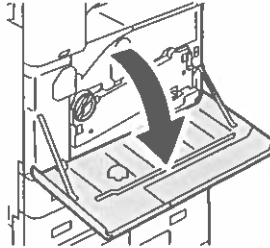
### Problem

#### Light Lines or Streaks

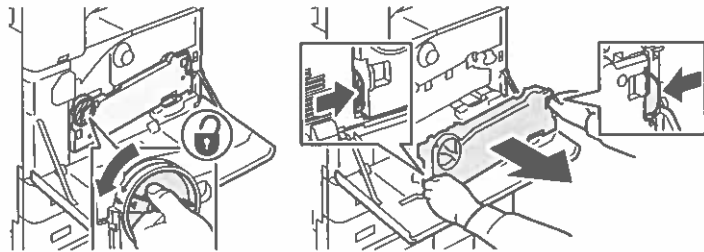


### Solution

1. Open the front cover.

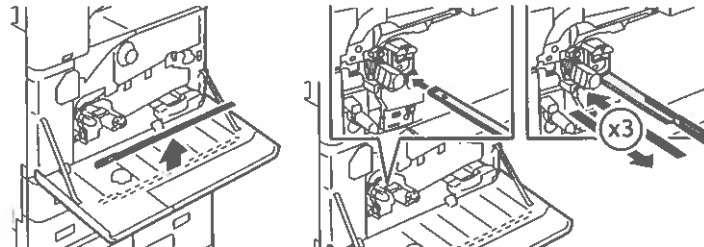


2. To unlock the belt tension lever, on the left side of the printer, rotate the belt tension lever, then open the drum cartridge cover.



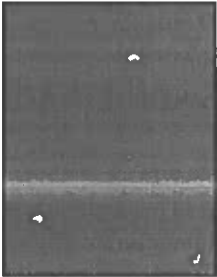
3. Push the cleaner into the printer until it stops. Move the LED printhead cleaner in and out of the printer two or three times. When finished, remove the cleaner.

**Note:** Do not use excessive force.

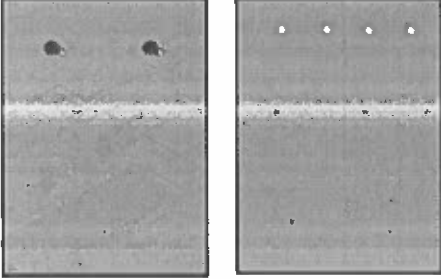
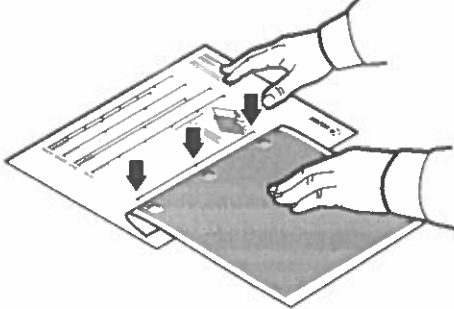


If the problem persists, check if the drum cartridge is causing the problem. To check, switch the suspected drum cartridge with another drum cartridge of a different color. If the problem occurs where you move the suspected drum cartridge, replace the suspected drum cartridge.

## Solving Print-Quality Problems (continued)

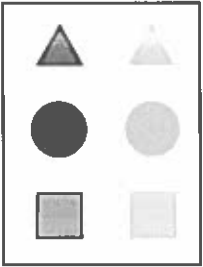
Problem	Solution
<p><b>Incomplete Fusing</b> Toner appears to be missing from the print, or rubs off easily.</p> 	<ol style="list-style-type: none"> <li>1. Verify that the paper you are using is the correct type for the printer and is properly loaded. For a complete list of recommended paper for your printer, go to: <ul style="list-style-type: none"> <li>– North America: <a href="http://www.xerox.com/rmlna">www.xerox.com/rmlna</a></li> <li>– Europe: <a href="http://www.xerox.com/rmleu">www.xerox.com/rmleu</a></li> </ul> </li> <li>2. Verify that the paper type is selected on the control panel and in the print driver.</li> <li>3. If the problem persists, do one of the following: <ul style="list-style-type: none"> <li>• For dedicated trays, log in as admin, touch <b>Device &gt; Tools &gt; Device Settings &gt; Paper Management &gt; Tray Settings</b>. Select the tray, touch <b>Edit</b>, then change the paper type.</li> </ul> <p><b>Note:</b> To change the size, type, or color of paper in a dedicated tray when the control panel is locked, log in as the system administrator.</p> <ul style="list-style-type: none"> <li>• For trays that are set to Fully Adjustable: <ul style="list-style-type: none"> <li>• Trays 1–4 and 6: Open, then close the selected paper tray.</li> <li>• Tray 5: Remove, then reinsert the paper.</li> </ul> </li> </ul> <p>The control panel prompts you to confirm or change the paper type.</p> <ul style="list-style-type: none"> <li>• At the touch screen, touch <b>Type</b>, then do one of the following: <ul style="list-style-type: none"> <li>• Select the correct paper type, then touch <b>Confirm</b>.</li> <li>• Select the next heavier type of paper, then touch <b>Confirm</b>.</li> </ul> </li> </ul> <p><b>Note:</b> Paper types from lightest to heaviest are:</p> <ul style="list-style-type: none"> <li>• For uncoated paper: Plain, Lightweight Cardstock, Cardstock, and Heavyweight Cardstock.</li> <li>• For coated paper: Lightweight Glossy Cardstock, Glossy Cardstock, and Heavyweight Glossy Cardstock.</li> </ul> </li> </ol>

## Solving Print-Quality Problems (continued)

Problem	Solution
<p data-bbox="113 383 320 409"><b>Repeating Defects</b></p> <p data-bbox="113 421 576 533">Spots or lines appear at regular intervals on the page in the direction that the paper moves through the printer or in non-printed areas.</p> <div data-bbox="121 551 564 828"></div>	<ol data-bbox="660 383 1401 577" style="list-style-type: none"><li>1. At the control panel, touch <b>Device &gt; Tools &gt; Troubleshooting &gt; Support Pages &gt; Repeating Defects Page &gt; Print</b>. The Repeating Defects Page prints with instructions for identifying defective units.</li><li>2. To correct the problem, replace items identified on the Repeating Defects Page.</li></ol> <div data-bbox="695 591 1150 898"></div> <ol data-bbox="660 920 1445 1279" style="list-style-type: none"><li>3. If you replaced the the transfer roller, reset the counter:<ul data-bbox="699 958 1445 1279" style="list-style-type: none"><li>• At the control panel, press <b>Log In</b>. Enter system administrator login information, then touch <b>Enter</b>. For details, refer to the <i>System Administrator Guide</i>.</li><li>• Touch <b>Device &gt; Tools &gt; Device Settings</b>.</li><li>• Scroll, then touch <b>Supplies &gt; Supply Counter Reset</b>.</li><li>• Touch <b>Second Bias Transfer Roll</b>.</li><li>• Touch <b>Reset Counter</b>.</li><li>• To close the pop-up window, touch <b>X</b>, touch <b>admin</b>, then select <b>Logout</b>.</li></ul></li></ol>

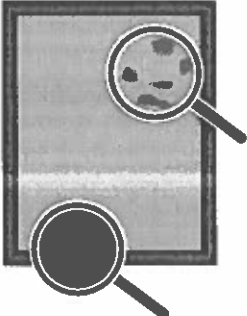


## Solving Print-Quality Problems (continued)

Problem	Solution
<p><b>Offset Image</b></p> <p>The most common offset is toner that appears to be reprinted on the page and placed about 95 mm (3.75 in.) across the page in the direction that the paper moves through the printer.</p> <p><b>Note:</b> For a different distance, use the Repeating Defects Page to identify the cause.</p> 	<ol style="list-style-type: none"> <li>Verify that the paper you are using is the correct paper type for the printer and is properly loaded. For a complete list of recommended paper for your printer, go to: <ul style="list-style-type: none"> <li>North America: <a href="http://www.xerox.com/rmlna">www.xerox.com/rmlna</a></li> <li>Europe: <a href="http://www.xerox.com/rmleu">www.xerox.com/rmleu</a></li> </ul> </li> <li>Verify that the paper type is selected on the control panel and in the print driver. <b>Note:</b> To change the size, type, or color of paper in a dedicated tray when the control panel is locked, log in as the system administrator.</li> <li>If the problem continues, do one of the following: <ul style="list-style-type: none"> <li>For dedicated trays, log in as admin, touch <b>Device &gt; Tools &gt; Device Settings &gt; Paper Management &gt; Tray Settings</b>. Select the tray, touch <b>Edit</b>, then change the paper type.</li> <li>For trays that are set to Fully Adjustable: <ul style="list-style-type: none"> <li>Trays 1–4 and 6: Open, then close the selected paper tray.</li> <li>Tray 5: Remove, then reinsert the paper.</li> </ul> </li> </ul> <p>The control panel prompts you to confirm or change the paper type.</p> <ul style="list-style-type: none"> <li>At the touch screen, touch <b>Type</b>, then do one of the following: <ul style="list-style-type: none"> <li>Select the correct paper type, then touch <b>Confirm</b>.</li> <li>Select the next heavier paper type, then touch <b>Confirm</b>.</li> </ul> </li> </ul> <p><b>Note:</b> Paper types from lightest to heaviest are:</p> <ul style="list-style-type: none"> <li>For uncoated paper: Plain, Lightweight Cardstock, Cardstock, and Heavyweight Cardstock.</li> <li>For coated paper: Lightweight Glossy Cardstock, Glossy Cardstock, and Heavyweight Glossy Cardstock.</li> </ul> <ul style="list-style-type: none"> <li>To identify the cause, use the Repeating Defects Page. For details, refer to the previous page.</li> </ul> </li> </ol>

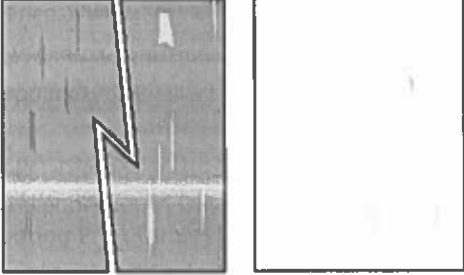


## Solving Print-Quality Problems (continued)

Problem	Solution
<p><b>Heavy Coverage Appears Mottled or Blotchy</b> <b>Blacks Appear Blue</b></p> 	<ol style="list-style-type: none"><li>1. Verify that the paper you are using is the correct type for the printer and is properly loaded. For a complete list of recommended paper for your printer, go to:<ul style="list-style-type: none"><li>– North America: <a href="http://www.xerox.com/rmlna">www.xerox.com/rmlna</a></li><li>– Europe: <a href="http://www.xerox.com/rmleu">www.xerox.com/rmleu</a></li></ul></li><li>2. Verify that the paper type is selected on the control panel and in the print driver.</li></ol> <p>If the problem continues, call for service.</p>
<p><b>Gray Tones Too Light or Too Dark</b> Gray tones appear faded or too dark on print or copy.</p>	<ol style="list-style-type: none"><li>1. Verify that the paper you are using is the correct type for the printer and is properly loaded. For a complete list of recommended paper for your printer, go to:<ul style="list-style-type: none"><li>– North America: <a href="http://www.xerox.com/rmlna">www.xerox.com/rmlna</a></li><li>– Europe: <a href="http://www.xerox.com/rmleu">www.xerox.com/rmleu</a></li></ul></li><li>2. Verify that the paper type is selected on the control panel and in the print driver.</li><li>3. Adjust the lightness settings in the Copy settings or the print driver. For information about changing the Lightness setting in the PostScript print driver for your operating system, refer to the <i>Printing</i> chapter of the <i>User Guide</i>.</li></ol>



## Solving Print-Quality Problems (continued)

Problem	Solution
<p><b>Lines, Smudges, or Streaks</b> Dark or light marks appear on the page in all tones or non-printed areas.</p> 	<ol style="list-style-type: none"> <li>1. Verify that the paper you are using is the correct type for the printer and is properly loaded. For a complete list of recommended paper for your printer, go to: <ul style="list-style-type: none"> <li>– North America: <a href="http://www.xerox.com/rmlna">www.xerox.com/rmlna</a></li> <li>– Europe: <a href="http://www.xerox.com/rmleu">www.xerox.com/rmleu</a></li> </ul> </li> <li>2. Verify that the paper type is selected on the control panel and in the print driver.</li> <li>3. If the problem persists, follow these steps: <ul style="list-style-type: none"> <li>• At the control panel, touch <b>Device &gt; Information Pages &gt; Troubleshooting Print Quality Page &gt; Print</b>. The Repeating Defects Page prints with instructions for identifying defective units.</li> <li>• To correct the problem, replace the items identified on the Repeating Defects Page.</li> </ul> </li> <li>4. If the problem continues, replace the transfer belt cleaner. If you replace the transfer belt cleaner, reset the counter: <ul style="list-style-type: none"> <li>• At the control panel, touch <b>Log In</b>. Enter system administrator login information, then touch <b>Done</b>. For details, refer to the <i>System Administrator Guide</i>.</li> <li>• Touch <b>Device &gt; Tools &gt; Device Settings</b>.</li> <li>• Scroll, then touch <b>Supplies &gt; Supply Counter Reset</b>.</li> <li>• Touch <b>Transfer Belt Cleaner</b>.</li> <li>• Touch <b>Confirm Reset</b>.</li> <li>• To close the pop-up window, touch <b>X</b>, touch <b>admin</b>, then select <b>Logout</b>.</li> </ul> </li> </ol>
<p><b>Poor Transparency Print Quality</b> Print-quality defects are occurring on transparency film:</p> <ul style="list-style-type: none"> <li>• Light or dark spots</li> <li>• Smearred toner</li> <li>• Light bands on print</li> </ul>	<p>Use only Xerox® Transparencies.</p> <p><b>CAUTION:</b> Using non-Xerox® transparencies can cause print-quality problems or damage to the fuser. Damage caused by using unsupported media is not covered by the Xerox® Warranty, Service Agreement, or Total Satisfaction Guarantee.</p>



## Print-Quality Settings

The Windows PostScript print driver and the Macintosh print drivers provide the highest print-quality modes. You can change these settings in the print driver. Select the setting that is best suited for your print job.

### Print-Quality Mode

- **Enhanced** mode is the general-purpose mode for crisp, smooth-toned prints. Enhanced mode balances speed with quality.
- **High Resolution** mode is a high-quality mode that creates smooth-toned prints with fine lines and detail. High Resolution mode balances quality over speed.
- **Toner Saver** mode reduces the amount of toner used for print jobs and is useful for draft-quality output. Print quality is slightly lower than using Standard mode.

### Image Options

Image options controls how the printer uses lightness and contrast to produce your document. The Windows PostScript print driver and the Macintosh print drivers provide the widest range of controls on the Image Options tab.

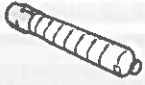
- To locate Image Options in Windows, in the print driver, click the **Image Options** tab.
- To locate Image Options on Macintosh, in the Print window, in the print options list, click **Xerox Features**. Within Xerox Features, in the options list, click **Image Options**.



# Χρήση αναλωσίμων

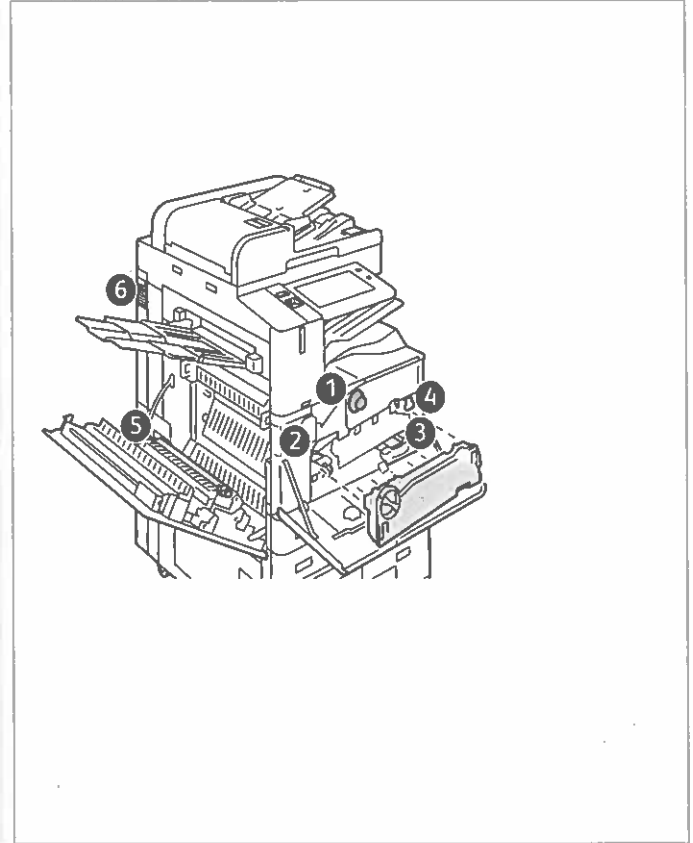
## Αναλώσιμα

### 1 Κασέτες γραφίτη



#### Μαύρο

Θμ/νία εγκατάστ.: Feb 6, 2024  
 Εκ νέου παραγγελία: 006R01770  
 Εκτιμώμενος αρ. υπολειπ. σελίδων: 17000  
 (Βάσει της μέσης κάλυψης αυτής της κασέτας γραφίτη: 2%)



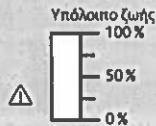
## Στοιχεία προγραμματισμένης συντήρησης

### 2 Φύσιγγα τυμπάνου



#### Μαύρο (R1)

Θμ/νία εγκατάστ.: Dec 30, 2019  
 Εκ νέου παραγγελία: 013R00686  
 Εκτιμώμενος αρ. υπολειπ. σελίδων: 0  
 (Βάσει του μέσου μεγέθους εργασιών του εκτυπωτή: 1 Σελίδες)



### 3 Περιέκτης υπολειμμάτων

Θμ/νία εγκατάστ.: Feb 28, 2025  
 Εκ νέου παραγγελία: 008R08101

OK



### 4 Σύστημα καθαρισμού ιμάντα μεταφοράς

Θμ/νία εγκατάστ.: Feb 28, 2025  
 Εκ νέου παραγγελία: 001R00623  
 Εκτιμώμενος αρ. υπολειπ. σελίδων: 159000



### 5 Δεύτερος κύλινδρος μεταφοράς φόρτισης

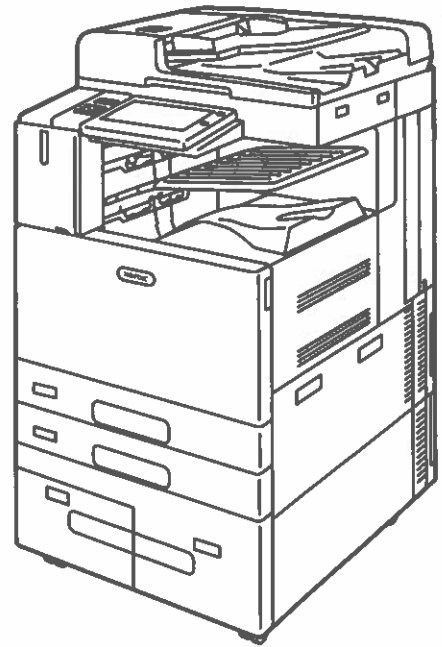
Θμ/νία εγκατάστ.: Feb 28, 2025  
 Εκ νέου παραγγελία: 008R08103  
 Εκτιμώμενος αρ. υπολειπ. σελίδων: 359000





# Xerox® AltaLink® B8200 Series Black-And-White Multifunction Printers

Productive, Scalable, Built-in Security



XEROX® CONNECTKEY®  
TECHNOLOGY



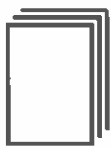
Intuitive User  
Experience



Mobile and  
Cloud Ready



Comprehensive  
Security



Enables Managed  
Print Services



Gateway to New  
Possibilities





## Resident Fonts

Position	Font Name	Print Sample
1	Courier «Esc»(Symbol set«Esc»(s0p«pitch»h0s0b4099T	'ABCDEFgabcdefg0123456789&?!.,'
2	CG Times «Esc»(Symbol set«Esc»(s1p«size»v0s0b4101T	'ABCDEFgabcdefg0123456789&?!.,'
3	CG Times Bold «Esc»(Symbol set«Esc»(s1p«size»v0s3b4101T	'ABCDEFgabcdefg0123456789&?!.,'
4	CG Times Italic «Esc»(Symbol set«Esc»(s1p«size»v1s0b4101T	'ABCDEFgabcdefg0123456789&?!.,'
5	CG Times Bold Italic «Esc»(Symbol set«Esc»(s1p«size»v1s3b4101T	'ABCDEFgabcdefg0123456789&?!.,'
6	CG Omega «Esc»(Symbol set«Esc»(s1p«size»v0s0b4113T	'ABCDEFgabcdefg0123456789&?!.,'
7	CG Omega Bold «Esc»(Symbol set«Esc»(s1p«size»v0s3b4113T	'ABCDEFgabcdefg0123456789&?!.,'
8	CG Omega Italic «Esc»(Symbol set«Esc»(s1p«size»v1s0b4113T	'ABCDEFgabcdefg0123456789&?!.,'
9	CG Omega Bold Italic «Esc»(Symbol set«Esc»(s1p«size»v1s3b4113T	'ABCDEFgabcdefg0123456789&?!.,'
10	Coronet «Esc»(Symbol set«Esc»(s1p«size»v1s0b4116T	'ABCDEFgabcdefg0123456789&?!.,'
11	Clarendon Condensed «Esc»(Symbol set«Esc»(s1p«size»v4s3b4140T	'ABCDEFgabcdefg0123456789&?!.,'
12	Univers Medium «Esc»(Symbol set«Esc»(s1p«size»v0s0b4148T	'ABCDEFgabcdefg0123456789&?!.,'
13	Univers Bold «Esc»(Symbol set«Esc»(s1p«size»v0s3b4148T	'ABCDEFgabcdefg0123456789&?!.,'
14	Univers Medium Italic «Esc»(Symbol set«Esc»(s1p«size»v1s0b4148T	'ABCDEFgabcdefg0123456789&?!.,'
15	Univers Bold Italic «Esc»(Symbol set«Esc»(s1p«size»v1s3b4148T	'ABCDEFgabcdefg0123456789&?!.,'
16	Univers Medium Condensed «Esc»(Symbol set«Esc»(s1p«size»v4s0b4148T	'ABCDEFgabcdefg0123456789&?!.,'
17	Univers Bold Condensed «Esc»(Symbol set«Esc»(s1p«size»v4s3b4148T	'ABCDEFgabcdefg0123456789&?!.,'
18	Univers Medium Condensed Italic «Esc»(Symbol set«Esc»(s1p«size»v5s0b4148T	'ABCDEFgabcdefg0123456789&?!.,'

## Resident Fonts

Position	Font Name	Print Sample
19	Univers Bold Condensed Italic «Esc»(Symbol set«Esc»(s1p«size»v5s3b4148T	' <b>ABCDEFGGabcdefg0123456789&amp;?!.,'</b>
20	Antique Olive «Esc»(Symbol set«Esc»(s1p«size»v0s0b4168T	' <b>ABCDEFGGabcdefg0123456789&amp;?!.,'</b>
21	Antique Olive Bold «Esc»(Symbol set«Esc»(s1p«size»v0s3b4168T	' <b>ABCDEFGGabcdefg0123456789&amp;?!.,'</b>
22	Antique Olive Italic «Esc»(Symbol set«Esc»(s1p«size»v1s0b4168T	' <b>ABCDEFGGabcdefg0123456789&amp;?!.,'</b>
23	Garamond Antiqua «Esc»(Symbol set«Esc»(s1p«size»v0s0b4197T	' <b>ABCDEFGGabcdefg0123456789&amp;?!.,'</b>
24	Garamond Halbfett «Esc»(Symbol set«Esc»(s1p«size»v0s3b4197T	' <b>ABCDEFGGabcdefg0123456789&amp;?!.,'</b>
25	Garamond Kursiv «Esc»(Symbol set«Esc»(s1p«size»v1s0b4197T	' <b>ABCDEFGGabcdefg0123456789&amp;?!.,'</b>
26	Garamond Kursiv Halbfett «Esc»(Symbol set«Esc»(s1p«size»v1s3b4197T	' <b>ABCDEFGGabcdefg0123456789&amp;?!.,'</b>
27	Marigold «Esc»(Symbol set«Esc»(s1p«size»v0s0b4297T	' <b>ABCDEFGGabcdefg0123456789&amp;?!.,'</b>
28	Albertus Medium «Esc»(Symbol set«Esc»(s1p«size»v0s1b4362T	' <b>ABCDEFGGabcdefg0123456789&amp;?!.,'</b>
29	Albertus Extra Bold «Esc»(Symbol set«Esc»(s1p«size»v0s4b4362T	' <b>ABCDEFGGabcdefg0123456789&amp;?!.,'</b>
30	Ryadh «Esc»(Symbol set«Esc»(s1p«size»v0s0b4859T	ABCDEFGabcdefg0123456789&?!.,
31	Ryadh Bold «Esc»(Symbol set«Esc»(s1p«size»v0s3b4859T	ABCDEFGabcdefg0123456789&?!.,
32	Malka «Esc»(Symbol set«Esc»(s1p«size»v0s0b16584T	ABCDEFGabcdefg0123456789&?!.,
33	Malka Bold «Esc»(Symbol set«Esc»(s1p«size»v0s3b16584T	ABCDEFGabcdefg0123456789&?!.,
34	Malka Italic «Esc»(Symbol set«Esc»(s1p«size»v1s0b16584T	ABCDEFGabcdefg0123456789&?!.,
35	Dorit «Esc»(Symbol set«Esc»(s1p«size»v0s0b16585T	ABCDEFGabcdefg0123456789&?!.,
36	Dorit Bold «Esc»(Symbol set«Esc»(s1p«size»v0s3b16585T	ABCDEFGabcdefg0123456789&?!.,

## Resident Fonts

Position	Font Name	Print Sample
37	Naamit «Esc»(Symbol set«Esc»(s1p«size»v0s0b16587T	ABCDEFgabcdefg0123456789&?!.,'
38	Naamit Bold «Esc»(Symbol set«Esc»(s1p«size»v0s3b16587T	<b>ABCDEFgabcdefg0123456789&amp;?!.,'</b>
39	Arial «Esc»(Symbol set«Esc»(s1p«size»v0s0b16602T	'ABCDEFgabcdefg0123456789&?!.,'
40	Arial Bold «Esc»(Symbol set«Esc»(s1p«size»v0s3b16602T	<b>'ABCDEFgabcdefg0123456789&amp;?!.,'</b>
41	Arial Italic «Esc»(Symbol set«Esc»(s1p«size»v1s0b16602T	<i>'ABCDEFgabcdefg0123456789&amp;?!.,'</i>
42	Arial Bold Italic «Esc»(Symbol set«Esc»(s1p«size»v1s3b16602T	<b><i>'ABCDEFgabcdefg0123456789&amp;?!.,'</i></b>
43	Times New Roman «Esc»(Symbol set«Esc»(s1p«size»v0s0b16901T	'ABCDEFgabcdefg0123456789&?!.,'
44	Times New Roman Bold «Esc»(Symbol set«Esc»(s1p«size»v0s3b16901T	<b>'ABCDEFgabcdefg0123456789&amp;?!.,'</b>
45	Times New Roman Italic «Esc»(Symbol set«Esc»(s1p«size»v1s0b16901T	<i>'ABCDEFgabcdefg0123456789&amp;?!.,'</i>
46	Times New Roman Bold Italic «Esc»(Symbol set«Esc»(s1p«size»v1s3b16901T	<b><i>'ABCDEFgabcdefg0123456789&amp;?!.,'</i></b>
47	Helvetica «Esc»(Symbol set«Esc»(s1p«size»v0s0b24580T	'ABCDEFgabcdefg0123456789&?!.,'
48	Helvetica Bold «Esc»(Symbol set«Esc»(s1p«size»v0s3b24580T	<b>'ABCDEFgabcdefg0123456789&amp;?!.,'</b>
49	Helvetica Oblique «Esc»(Symbol set«Esc»(s1p«size»v1s0b24580T	<i>'ABCDEFgabcdefg0123456789&amp;?!.,'</i>
50	Helvetica Bold Oblique «Esc»(Symbol set«Esc»(s1p«size»v1s3b24580T	<b><i>'ABCDEFgabcdefg0123456789&amp;?!.,'</i></b>
51	Helvetica Narrow «Esc»(Symbol set«Esc»(s1p«size»v4s0b24580T	'ABCDEFgabcdefg0123456789&?!.,'
52	Helvetica Narrow Bold «Esc»(Symbol set«Esc»(s1p«size»v4s3b24580T	<b>'ABCDEFgabcdefg0123456789&amp;?!.,'</b>
53	Helvetica Narrow Oblique «Esc»(Symbol set«Esc»(s1p«size»v5s0b24580T	<i>'ABCDEFgabcdefg0123456789&amp;?!.,'</i>
54	Helvetica Narrow Bold Oblique «Esc»(Symbol set«Esc»(s1p«size»v5s3b24580T	<b><i>'ABCDEFgabcdefg0123456789&amp;?!.,'</i></b>

## Resident Fonts

Position	Font Name	Print Sample
55	Palatino Roman «Esc»(Symbol set«Esc»(s1p«size»v0s0b24591T	'ABCDEFGGabcdefg0123456789&?!.,'
56	Palatino Bold «Esc»(Symbol set«Esc»(s1p«size»v0s3b24591T	'ABCDEFGGabcdefg0123456789&?!.,'
57	Palatino Italic «Esc»(Symbol set«Esc»(s1p«size»v1s0b24591T	'ABCDEFGGabcdefg0123456789&?!.,'
58	Palatino Bold Italic «Esc»(Symbol set«Esc»(s1p«size»v1s3b24591T	'ABCDEFGGabcdefg0123456789&?!.,'
59	ITC Avant Garde Book «Esc»(Symbol set«Esc»(s1p«size»v0s0b24607T	'ABCDEFGGabcdefg0123456789&?!.,'
60	ITC Avant Garde DemiBold «Esc»(Symbol set«Esc»(s1p«size»v0s2b24607T	'ABCDEFGGabcdefg0123456789&?!.,'
61	ITC Avant Garde Book Oblique «Esc»(Symbol set«Esc»(s1p«size»v1s0b24607T	'ABCDEFGGabcdefg0123456789&?!.,'
62	ITC Avant Garde DemiBold Oblique «Esc»(Symbol set«Esc»(s1p«size»v1s2b24607T	'ABCDEFGGabcdefg0123456789&?!.,'
63	ITC Bookman Light «Esc»(Symbol set«Esc»(s1p«size»v0s-3b24623T	'ABCDEFGGabcdefg0123456789&?!.,'
64	ITC Bookman DemiBold «Esc»(Symbol set«Esc»(s1p«size»v0s2b24623T	'ABCDEFGGabcdefg0123456789&?!.,'
65	ITC Bookman Light Italic «Esc»(Symbol set«Esc»(s1p«size»v1s-3b24623T	'ABCDEFGGabcdefg0123456789&?!.,'
66	ITC Bookman DemiBold Italic «Esc»(Symbol set«Esc»(s1p«size»v1s2b24623T	'ABCDEFGGabcdefg0123456789&?!.,'
67	New Century Schoolbook Roman «Esc»(Symbol set«Esc»(s1p«size»v0s0b24703T	'ABCDEFGGabcdefg0123456789&?!.,'
68	New Century Schoolbook Bold «Esc»(Symbol set«Esc»(s1p«size»v0s3b24703T	'ABCDEFGGabcdefg0123456789&?!.,'
69	New Century Schoolbook Italic «Esc»(Symbol set«Esc»(s1p«size»v1s0b24703T	'ABCDEFGGabcdefg0123456789&?!.,'
70	New Century Schoolbook Bold Ital «Esc»(Symbol set«Esc»(s1p«size»v1s3b24703T	'ABCDEFGGabcdefg0123456789&?!.,'
71	Times Roman «Esc»(Symbol set«Esc»(s1p«size»v0s0b25093T	'ABCDEFGGabcdefg0123456789&?!.,'
72	Times Roman Bold «Esc»(Symbol set«Esc»(s1p«size»v0s3b25093T	'ABCDEFGGabcdefg0123456789&?!.,'

Resident Fonts

Position	Font Name	Print Sample
73	Times Roman Italic «Esc»(Symbol set«Esc»(s1p«size»v1s0b25093T	'ABCDEFGabcdefg0123456789&?!.,'
74	Times Bold Italic «Esc»(Symbol set«Esc»(s1p«size»v1s3b25093T	'ABCDEFGabcdefg0123456789&?!.,'
75	Zapf Chancery Medium Italic «Esc»(Symbol set«Esc»(s1p«size»v1s0b45099T	'ABCDEFGabcdefg0123456789&?!.,'
76	Symbol «Esc»(19M«Esc»(s1p«size»v0s0b16686T	<αβχδεφγηηθκλμνοπθ> ρστυωξψζθς)
77	Symbol PS «Esc»(19M«Esc»(s1p«size»v0s0b45358T	<αβχδεφγηηθκλμνοπθ> ρστυωξψζθς)
78	Wingdings «Esc»(579L«Esc»(s1p«size»v0s0b31402T	☺ ▲ ◆ ⚡ ⚔ ⚖ ⚗ ⚘ ⚙ ⚚ ⛏ ⛑ ⛒ ⛓ ⛔ ⛕ ⛖ ⛗ ⛘ ⛙ ⛚ ⛛ ⛜ ⛝ ⛞ ⛟ ⛠ ⛡ ⛢ ⛣ ⛤ ⛥ ⛦ ⛧ ⛨ ⛩ ⛪ ⛫ ⛬ ⛭ ⛮ ⛯ ⛰ ⛱ ⛲ ⛳ ⛴ ⛵ ⛶ ⛷ ⛸ ⛹ ⛺ ⛻ ⛼ ⛽ ⛾ ⛿ ♂ ♀ ♁ ♂ ♃ ♄ ♅ ♆ ♇ ♈ ♉ ♊ ♋ ♌ ♍ ♎ ♏ ♐ ♑ ♒ ♓ ♔ ♕ ♖ ♗ ♘ ♙ ♚ ♛ ♜ ♝ ♞ ♟ ♠ ♡ ♢ ♣ ♤ ♥ ♦ ♧ ♨ ♩ ♪ ♫ ♬ ♭ ♮ ♯ ♰ ♱ ♲ ♳ ♴ ♵ ♶ ♷ ♸ ♹ ♺ ♻ ♼ ♽ ♾ ♿
79	Zapf Dingbats «Esc»(14L«Esc»(s1p«size»v0s0b45101T	☼ ☽ ☿ ♁ ♂ ♃ ♄ ♅ ♆ ♇ ♈ ♉ ♊ ♋ ♌ ♍ ♎ ♏ ♐ ♑ ♒ ♓ ♔ ♕ ♖ ♗ ♘ ♙ ♚ ♛ ♜ ♝ ♞ ♟ ♠ ♡ ♢ ♣ ♤ ♥ ♦ ♧ ♨ ♩ ♪ ♫ ♬ ♭ ♮ ♯ ♰ ♱ ♲ ♳ ♴ ♵ ♶ ♷ ♸ ♹ ♺ ♻ ♼ ♽ ♾ ♿
80	Courier Bold «Esc»(Symbol set«Esc»(s0p«pitch»h0s3b4099T	'ABCDEFGabcdefg0123456789&?!.,'
81	Courier Italic «Esc»(Symbol set«Esc»(s0p«pitch»h1s0b4099T	'ABCDEFGabcdefg0123456789&?!.,'
82	Courier Bold Italic «Esc»(Symbol set«Esc»(s0p«pitch»h1s3b4099T	'ABCDEFGabcdefg0123456789&?!.,'
83	Letter Gothic «Esc»(Symbol set«Esc»(s0p«pitch»h0s0b4102T	'ABCDEFGabcdefg0123456789&?!.,'
84	Letter Gothic Bold «Esc»(Symbol set«Esc»(s0p«pitch»h0s3b4102T	'ABCDEFGabcdefg0123456789&?!.,'
85	Letter Gothic Italic «Esc»(Symbol set«Esc»(s0p«pitch»h1s0b4102T	'ABCDEFGabcdefg0123456789&?!.,'
86	Naskh «Esc»(Symbol set«Esc»(s0p«pitch»h0s0b4124T	ABCDEFGabcdefg0123456789&?!.,'
87	Naskh Bold «Esc»(Symbol set«Esc»(s0p«pitch»h0s3b4124T	ABCDEFGabcdefg0123456789&?!.,'
88	Koufi «Esc»(Symbol set«Esc»(s0p«pitch»h0s0b4264T	ABCDEFGabcdefg0123456789&?!.,'
89	Koufi Bold «Esc»(Symbol set«Esc»(s0p«pitch»h0s3b4264T	ABCDEFGabcdefg0123456789&?!.,'
90	Courier PS «Esc»(Symbol set«Esc»(s0p«pitch»h0s0b24579T	'ABCDEFGabcdefg0123456789&?!.,'

## Resident Fonts

Position	Font Name	Print Sample
91	Courier PS Bold «Esc»(Symbol set«Esc»(s0p«pitch»h0s3b24579T	' <b>ABCDEFGGabcdefg0123456789&amp;?!.,'</b>
92	Courier PS Oblique «Esc»(Symbol set«Esc»(s0p«pitch»h1s0b24579T	' <i>ABCDEFGGabcdefg0123456789&amp;?!.,'</i>
93	Courier PS Bold Oblique «Esc»(Symbol set«Esc»(s0p«pitch»h1s3b24579T	' <b><i>ABCDEFGGabcdefg0123456789&amp;?!.,'</i></b>
94	Line Printer «Esc»(8U«Esc»(s0p16.67h8.48v0s0b0T	'ABCDEFGabcdefg0123456789&?!.,'

# PostScript Font Listing

## Internal Fonts:

AlbertusMT	ABCDEFG abcdefg 0123456789 &?!\$,€
AlbertusMT-Italic	ABCDEFG abcdefg 0123456789 &?!\$,€
AlbertusMT-Light	ABCDEFG abcdefg 0123456789 &?!\$,€
AntiqueOlive-Bold	ABCDEFG abcdefg 0123456789 &?!\$,€
AntiqueOlive-Compact	<b>ABCDEFG abcdefg 0123456789 &amp;?!\$,€</b>
AntiqueOlive-Italic	ABCDEFG abcdefg 0123456789 &?!\$,€
AntiqueOlive-Roman	ABCDEFG abcdefg 0123456789 &?!\$,€
Apple-Chancery	ABCDEFG abcdefg 0123456789 &?!\$,€
Arial-BoldItalicMT	ABCDEFG abcdefg 0123456789 &?!\$,€
Arial-BoldMT	ABCDEFG abcdefg 0123456789 &?!\$,€
Arial-ItalicMT	ABCDEFG abcdefg 0123456789 &?!\$,€
ArialMT	ABCDEFG abcdefg 0123456789 &?!\$,€
AvantGarde-Book	ABCDEFG abcdefg 0123456789 &?!\$,€
AvantGarde-BookOblique	ABCDEFG abcdefg 0123456789 &?!\$,€
AvantGarde-Demi	ABCDEFG abcdefg 0123456789 &?!\$,€
AvantGarde-DemiOblique	ABCDEFG abcdefg 0123456789 &?!\$,€
Bodoni	ABCDEFG abcdefg 0123456789 &?!\$,€
Bodoni-Bold	ABCDEFG abcdefg 0123456789 &?!\$,€
Bodoni-BoldItalic	ABCDEFG abcdefg 0123456789 &?!\$,€
Bodoni-Italic	ABCDEFG abcdefg 0123456789 &?!\$,€
Bodoni-Poster	<b>ABCDEFG abcdefg 0123456789 &amp;?!\$,€</b>
Bodoni-PosterCompressed	ABCDEFG abcdefg 0123456789 &?!\$,€
Bookman-Demi	ABCDEFG abcdefg 0123456789 &?!\$,€
Bookman-DemiItalic	ABCDEFG abcdefg 0123456789 &?!\$,€
Bookman-Light	ABCDEFG abcdefg 0123456789 &?!\$,€
Bookman-LightItalic	ABCDEFG abcdefg 0123456789 &?!\$,€
Carta	*!@#%&'()*+,-./:;<=>?[]^_`{ }~&?!\$,€
Chicago	ABCDEFG abcdefg 0123456789 &?!\$,€
Clarendon	ABCDEFG abcdefg 0123456789 &?!\$,€
Clarendon-Bold	ABCDEFG abcdefg 0123456789 &?!\$,€
Clarendon-Light	ABCDEFG abcdefg 0123456789 &?!\$,€
CooperBlack	<b>ABCDEFG abcdefg 0123456789 &amp;?!\$,€</b>
CooperBlack-Italic	ABCDEFG abcdefg 0123456789 &?!\$,€
Copperplate-ThirtyThreeBC	ABCDEFG ABCDEFG 0123456789 &?!\$,€
Copperplate-ThirtyTwoBC	ABCDEFG ABCDEFG 0123456789 &?!\$,€
Coronet-Regular	ABCDEFG abcdefg 0123456789 &?!\$,€
Courier	ABCDEFG abcdefg 0123456789 &?!\$,€
Courier-Bold	ABCDEFG abcdefg 0123456789 &?!\$,€
Courier-BoldOblique	ABCDEFG abcdefg 0123456789 &?!\$,€
Courier-Oblique	ABCDEFG abcdefg 0123456789 &?!\$,€
Eurostile	ABCDEFG abcdefg 0123456789 &?!\$,€
Eurostile-Bold	<b>ABCDEFG abcdefg 0123456789 &amp;?!\$,€</b>
Eurostile-BoldExtendedTwo	<b>ABCDEFG abcdefg 0123456789 &amp;?!\$,€</b>
Eurostile-ExtendedTwo	ABCDEFG abcdefg 0123456789 &?!\$,€
Geneva	ABCDEFG abcdefg 0123456789 &?!\$,€
GillSans	ABCDEFG abcdefg 0123456789 &?!\$,€
GillSans-Bold	ABCDEFG abcdefg 0123456789 &?!\$,€
GillSans-BoldCondensed	ABCDEFG abcdefg 0123456789 &?!\$,€
GillSans-BoldItalic	ABCDEFG abcdefg 0123456789 &?!\$,€
GillSans-Condensed	ABCDEFG abcdefg 0123456789 &?!\$,€
GillSans-ExtraBold	<b>ABCDEFG abcdefg 0123456789 &amp;?!\$,€</b>
GillSans-Italic	ABCDEFG abcdefg 0123456789 &?!\$,€
GillSans-Light	ABCDEFG abcdefg 0123456789 &?!\$,€
GillSans-LightItalic	ABCDEFG abcdefg 0123456789 &?!\$,€
Goudy	ABCDEFG abcdefg 0123456789 &?!\$,€
Goudy-Bold	ABCDEFG abcdefg 0123456789 &?!\$,€
Goudy-BoldItalic	ABCDEFG abcdefg 0123456789 &?!\$,€
Goudy-ExtraBold	ABCDEFG abcdefg 0123456789 &?!\$,€
Goudy-Italic	ABCDEFG abcdefg 0123456789 &?!\$,€
GreekMono737	ABCDEFG abcdefg 0123456789 &?!\$,€
GreekMono737-Bold	<b>ABCDEFG abcdefg 0123456789 &amp;?!\$,€</b>
GreekMono737-BoldItalic	<b>ABCDEFG abcdefg 0123456789 &amp;?!\$,€</b>
GreekMono737-Italic	ABCDEFG abcdefg 0123456789 &?!\$,€
GreekMono851	ABCDEFG abcdefg 0123456789 &?!\$,€
GreekMono851-Bold	<b>ABCDEFG abcdefg 0123456789 &amp;?!\$,€</b>
GreekMono851-BoldItalic	<b>ABCDEFG abcdefg 0123456789 &amp;?!\$,€</b>
GreekMono851-Italic	ABCDEFG abcdefg 0123456789 &?!\$,€
GreekMono8859-7	ABCDEFG abcdefg 0123456789 &?!\$,€
GreekMono8859-7Bold	<b>ABCDEFG abcdefg 0123456789 &amp;?!\$,€</b>

# PostScript Font Listing

## Internal Fonts (continued):

GreekMono8859-7BoldItalic	<i>ABCDEFG abcdefg 0123456789 &amp;?!\$.,</i>
GreekMono8859-7Italic	<i>ABCDEFG abcdefg 0123456789 &amp;?!\$.,</i>
GreekSans737	ABCDEFG abcdefg 0123456789 &?!\$.,
GreekSans737-Bold	<b>ABCDEFG abcdefg 0123456789 &amp;?!\$.,</b>
GreekSans737-BoldItalic	<b><i>ABCDEFG abcdefg 0123456789 &amp;?!\$.,</i></b>
GreekSans737-Italic	<i>ABCDEFG abcdefg 0123456789 &amp;?!\$.,</i>
GreekSans851	ABCDEFG abcdefg 0123456789 &?!\$.,
GreekSans851-Bold	<b>ABCDEFG abcdefg 0123456789 &amp;?!\$.,</b>
GreekSans851-BoldItalic	<b><i>ABCDEFG abcdefg 0123456789 &amp;?!\$.,</i></b>
GreekSans851-Italic	<i>ABCDEFG abcdefg 0123456789 &amp;?!\$.,</i>
GreekSans8859-7	ABCDEFG abcdefg 0123456789 &?!\$.,
GreekSans8859-7Bold	<b>ABCDEFG abcdefg 0123456789 &amp;?!\$.,</b>
GreekSans8859-7BoldItalic	<b><i>ABCDEFG abcdefg 0123456789 &amp;?!\$.,</i></b>
GreekSans8859-7Italic	<i>ABCDEFG abcdefg 0123456789 &amp;?!\$.,</i>
GreekSerif737	ABCDEFG abcdefg 0123456789 &?!\$.,
GreekSerif737-Bold	<b>ABCDEFG abcdefg 0123456789 &amp;?!\$.,</b>
GreekSerif737-BoldItalic	<b><i>ABCDEFG abcdefg 0123456789 &amp;?!\$.,</i></b>
GreekSerif737-Italic	<i>ABCDEFG abcdefg 0123456789 &amp;?!\$.,</i>
GreekSerif851	ABCDEFG abcdefg 0123456789 &?!\$.,
GreekSerif851-Bold	<b>ABCDEFG abcdefg 0123456789 &amp;?!\$.,</b>
GreekSerif851-BoldItalic	<b><i>ABCDEFG abcdefg 0123456789 &amp;?!\$.,</i></b>
GreekSerif851-Italic	<i>ABCDEFG abcdefg 0123456789 &amp;?!\$.,</i>
GreekSerif8859-7	ABCDEFG abcdefg 0123456789 &?!\$.,
GreekSerif8859-7Bold	<b>ABCDEFG abcdefg 0123456789 &amp;?!\$.,</b>
GreekSerif8859-7BoldItalic	<b><i>ABCDEFG abcdefg 0123456789 &amp;?!\$.,</i></b>
GreekSerif8859-7Italic	<i>ABCDEFG abcdefg 0123456789 &amp;?!\$.,</i>
Helvetica	ABCDEFG abcdefg 0123456789 &?!\$.,€
Helvetica-Bold	<b>ABCDEFG abcdefg 0123456789 &amp;?!\$.,€</b>
Helvetica-BoldOblique	<b><i>ABCDEFG abcdefg 0123456789 &amp;?!\$.,€</i></b>
Helvetica-Condensed	ABCDEFG abcdefg 0123456789 &?!\$.,€
Helvetica-Condensed-Bold	<b>ABCDEFG abcdefg 0123456789 &amp;?!\$.,€</b>
Helvetica-Condensed-BoldOblique	<b><i>ABCDEFG abcdefg 0123456789 &amp;?!\$.,€</i></b>
Helvetica-Condensed-Oblique	<i>ABCDEFG abcdefg 0123456789 &amp;?!\$.,€</i>
Helvetica-Narrow	ABCDEFG abcdefg 0123456789 &?!\$.,€
Helvetica-Narrow-Bold	<b>ABCDEFG abcdefg 0123456789 &amp;?!\$.,€</b>
Helvetica-Narrow-BoldOblique	<b><i>ABCDEFG abcdefg 0123456789 &amp;?!\$.,€</i></b>
Helvetica-Narrow-Oblique	<i>ABCDEFG abcdefg 0123456789 &amp;?!\$.,€</i>
Helvetica-Oblique	<i>ABCDEFG abcdefg 0123456789 &amp;?!\$.,€</i>
HoeflerText-Black	<b>ABCDEFG abcdefg 0123456789 &amp;?!\$.,€</b>
HoeflerText-BlackItalic	<b><i>ABCDEFG abcdefg 0123456789 &amp;?!\$.,€</i></b>
HoeflerText-Italic	<i>ABCDEFG abcdefg 0123456789 &amp;?!\$.,€</i>
HoeflerText-Ornaments	 ABCDEFG abcdefg 0123456789 &?!\$.,€
HoeflerText-Regular	ABCDEFG abcdefg 0123456789 &?!\$.,€
JoannaMT	ABCDEFG abcdefg 0123456789 &?!\$.,€
JoannaMT-Bold	<b>ABCDEFG abcdefg 0123456789 &amp;?!\$.,€</b>
JoannaMT-BoldItalic	<b><i>ABCDEFG abcdefg 0123456789 &amp;?!\$.,€</i></b>
JoannaMT-Italic	<i>ABCDEFG abcdefg 0123456789 &amp;?!\$.,€</i>
LetterGothic	ABCDEFG abcdefg 0123456789 &?!\$.,€
LetterGothic-Bold	<b>ABCDEFG abcdefg 0123456789 &amp;?!\$.,€</b>
LetterGothic-BoldSlanted	<b><i>ABCDEFG abcdefg 0123456789 &amp;?!\$.,€</i></b>
LetterGothic-Slanted	<i>ABCDEFG abcdefg 0123456789 &amp;?!\$.,€</i>
LubalinGraph-Book	ABCDEFG abcdefg 0123456789 &?!\$.,€
LubalinGraph-BookOblique	<i>ABCDEFG abcdefg 0123456789 &amp;?!\$.,€</i>
LubalinGraph-Demi	<b>ABCDEFG abcdefg 0123456789 &amp;?!\$.,€</b>
LubalinGraph-DemiOblique	<b><i>ABCDEFG abcdefg 0123456789 &amp;?!\$.,€</i></b>
Marigold	ABCDEFG abcdefg 0123456789 &?!\$.,€
MonaLisa-Recut	ABCDEFG abcdefg 0123456789 &?!\$.,€
Monaco	ABCDEFG abcdefg 0123456789 &?!\$.,€
NewCenturySchlbk-Bold	<b>ABCDEFG abcdefg 0123456789 &amp;?!\$.,€</b>
NewCenturySchlbk-BoldItalic	<b><i>ABCDEFG abcdefg 0123456789 &amp;?!\$.,€</i></b>
NewCenturySchlbk-Italic	<i>ABCDEFG abcdefg 0123456789 &amp;?!\$.,€</i>
NewCenturySchlbk-Roman	ABCDEFG abcdefg 0123456789 &?!\$.,€
NewYork	ABCDEFG abcdefg 0123456789 &?!\$.,€
Optima	ABCDEFG abcdefg 0123456789 &?!\$.,€
Optima-Bold	<b>ABCDEFG abcdefg 0123456789 &amp;?!\$.,€</b>
Optima-BoldItalic	<b><i>ABCDEFG abcdefg 0123456789 &amp;?!\$.,€</i></b>
Optima-Italic	<i>ABCDEFG abcdefg 0123456789 &amp;?!\$.,€</i>
Oxford	ABCDEFG abcdefg 0123456789 &?!\$.,€
Palatino-Bold	<b>ABCDEFG abcdefg 0123456789 &amp;?!\$.,€</b>





## Uobičajeni korisnički podaci

Naziv uređaja:	Xerox AltaLink B8255 MFP (A2:6E:B8)
IP adresa:	10.61.16.41
Serijski broj uređaja:	ZQV624005
Linija faksa 1:	
URL uređaja:	https://10.61.16.41
Datum aktivacije uređaja:	Feb 28, 2025 12:23:30
Ukupan broj otisaka:	4336

## Profil uređaja

Xerox oznake sredstva:	
Korisničke oznake sredstva:	
Telefonski broj za usluge:	
Broj tehničke podrške za korisnike:	
Broj telefona za potrošni materijal:	
Administrator sustava:	Nije postavljeno
Lokacija uređaja:	Lokacija uređaja nije postavljena

## Upravlja

Primarni MB poslu itelj:	10.15.46.133:80
--------------------------	-----------------

## Hardver uređaja

Faks kartica:	Nije prisutno
Veličina memorije faksa:	0 MB
Ploča stranog sučelja:	nije prisutno
Veličina RAM-a uređaja:	4096 MB
Veličina pohrane uređaja:	korišteno=3303MB/ukupno=256060MB (SSD)
Veličina memorije EPC:	900 MB
Vrsta finišera:	Izlazna ladica sa složenim
Finisier s probijanjem:	Ništa
Mapa finišera:	nije prisutno
Komplet za otkrivanje višestrukog um...	Nije instalirano

## Opæe postavke

Daljijske usluge:	Omoguæeno
Udaljeno preuzimanje softvera:	Omoguæeno
Prijenos udaljenih usluga Vrijeme:	15:45
Xerox Workplace Cloud	Omoguæeno
Upozorenja e-pošte:	Onemoguæeno
Paket usluga:	Aktivirani paket
Naèin ispisa za naplatu:	Otisci A3
Zemljopisno područje:	nepoznato
Pomak GMT:	+05:30
Instalacija kloniranja	Dopušteno (samo šifrirane datoteke)
Dijeljenje datoteka	Omoguæeno
JBIG2	Bez gubitka

## Štedljivi naèin rada

Stanje dubokog mirovanja:	Onemoguæeno
Štedljivi naèin rada:	Zadatak aktiviran

## Pametni senzor blizine

Buđenje na dolasku:	Omoguæeno
Mirovanje na odlasku:	Onemoguæeno

## Verzije softvera

Softver uređaja:	122.041.005.08500
Verzija zakrpe:	Ništa
Mre ni upravljaè:	122.041.08500
Firmver upravljaèke ploèe korisnièkog suè...	003.005.00000
Modul oznaèavanja:	072.001.000
Uvlakaè dokumenata:	023.026.000
Finisier:	000.000.000
Faks:	000.000.000
Skener:	017.024.014
Nadogradnje uređaja:	Dopušteno
Zadnja uspješna nadogradnja:	o ujak 28, 2025 17:42:58

## Ladice za medij

Ladica 1:	Obièni, Bijela and Pismo (8.5 x 11")
Ladica 2:	Obièni, Bijela and A4 (210 x 297 mm)
Ladica 3:	Obièni, Bijela and Pismo (8.5 x 11")
Ladica 4:	Obièni, Bijela and Pismo (8.5 x 11")
Zoobilazna ladica:	Obièni, Bijela and x=1200mm, y=310mm

## Instalirane opcije

PS:	Instalirano
-----	-------------

## Povezivost

## Mobilni tijekovi rada

Ispis AirPrint:	Omoguæeno
Ispis putem usluge Mopria:	Omoguæeno
Skeniranje AirPrint / Mopria	Omoguæeno
Potrebna je provjera autentiènosti:	Onemoguæeno

## Fizièke veze

Postavke USB-a	
USB prikljuèci tipa A	Sve omoguæeno
USB prikljuèak tipa B	Omoguæeno
èèano:	Omoguæeno
MAC adresa Ethernet:	9c:93:4e:a2:6e:b8
Brzina Ethernet / postavke dvostri:	automatski
Be èèno:	Onemoguæeno

Be èèna MAC adresa:	
Naziv mre e (SSID):	
BSSID:	
Naèin sigurnosti:	
Algoritam šifriranja:	
Status:	

Wi-Fi Direct:	Omoguæeno
Be èèni hardver:	Nije instalirano

Wi-Fi Protected Setup™ (WPS) naziv:	
Pristupna taèka (SSID):	
Prikaz zaporke na zaslonu uređaja osjetlj...	

NFC:	Omoguæeno
iBeacon (Bluetooth®) za otkrivanje znaèa...	Omoguæeno
Hardver za iBeacon:	Nije instalirano
Adresa Bluetooth uređaja:	
IP adresa uređaja iBeacon:	

## Protokoli

TCP/IPv4:	Omoguæeno
-----------	-----------

IP adresa:	10.61.16.41
Maska podmre e:	255.255.255.0
Ruter/pristupnik:	10.61.16.1
Automatsko adresiranje:	STATIÈNO
DHCP poslu itelj:	0.0.0.0
Kraj najma DHCP-a:	
Emitiranje BOOTP:	Onemoguæeno
Stanje samostalno dodijeljene adrese:	Omoguæeno
Samostalno dodijeljena adresa:	

## TCP/IPv6:

Lokalna adresa na razini veze:	
Korištenje prefiksa usmjerivaèa:	Omoguæeno
Globalna adresa 1 bez stanja:	::
Globalna adresa 2 bez stanja:	::
Ruèna adresa:	
Adresiranje DHCP:	Koristi DHCP prema uputama usmjerivaèa
Adresa DHCP:	
Zadani pristupnik:	
DUID (jedinstveni identifikator DHCP):	

## Postavke DNS-a:

Zatra eni naziv hosta:	XRX9C934EA26EB8
Potvrðeni naziv hosta:	
Zatra eni naziv domene:	
Potvrðeni naziv domene:	
mDNS:	Omoguæeno
Pakreni najam DHCP-a i registracije ...	Onemoguæeno
Primarni DNS poslu itelj:	::
Preferiraj IPv6 DNS umjesto IPv4:	Omoguæeno

## Bonjour:

Naziv Bonjour pisaèa:	Xerox AltaLink B8255 MFP (A2:6E:B8)
HTTP:	Omoguæeno
Zadavanje prometa putem sigurne veze (...)	Da
IPP	Omoguæeno

## SNMP

SNMP v1/v2:	Omoguæeno
SNMP v3:	Onemoguæeno

## LPR/LPD:

Omoguæeno	
-----------	--

## Izravni ispis IP:

LDAP	
LDAP poslu itelj 1, primarna LDAP ad...	0.0.0.0:389
LDAP poslu itelj 1, pretra ivanje korijen...	
LDAP poslu itelj 1, sigurna veza (LD...	Onemoguæeno
LDAP poslu itelj 1, provjerite valjanost ce...	Onemoguæeno

## SMTP

SMTP poslu itelj:	0.0.0.0:25
Šifriranje povezivanja (TLS):	Nema šifriranja
Provjera certifikata poslu itelja (T...	
Tip SMTP provjere autentiènosti:	Osnovna SMTP provjera autentiènosti

**Protokoli (nast.)**

<b>POP3</b>	
POP3 poslu itelj:	0.0.0.0:110
POP3 Sigurna veza (TLS):	Onemogućeno
POP3 Provjera certifikata poslu itelja:	
Adresa e-pošte:	Onemogućeno
<b>NTP:</b>	Onemogućeno
FTP klijent:	Omogućeno
Način rada FTP klijenta:	Neaktivno
Web usluge za uređaje:	Omogućeno

**Aplikacije****Ispisivanje**

Oglasna stranica:	Onemogućeno
Listovi s pogreškama:	Omogućeno
Zamjena papira:	Omogućeno
Prioritet ladica:	1,2,3,4,5
PostScript	Instalirano
Razina:	3
Verzija:	3021.101
<b>PCL</b>	
Verzija:	6
Naziv fonta:	Courier
Prilagođene tablice boja	Omogućeno
Oznaka:	Nije instalirano
<b>Faks:</b>	Nije prisutno

Linija faksa 1:

Linija faksa 2:

**Poslu iteljski faks:**

Protokol spremišta:	Omogućeno
Protokol spremišta:	SMB
Poslu itelj spremišta:	10.61.23.93:445
Putanja dokumenta spremišta:	/

**Skeniranje radnog tijeka:**

Omogućeno

**E-pošta:**

Omogućeno

**Skeniranje na poštanski pretinac:**

Omogućeno

Kapacitet pohrane (MB): 46924 MB

Iskorištena pohrana (MB): 2459 MB

Ėišaenje javnih mapa: Omogućeno

Ėišaenje stvorenih mapa: Omogućeno

Vrijeme Ėišaenja: Svakodnevno

**Skeniranje na početni zaslon:**

Omogućeno

**Skeniraj na:**

Omogućeno

Usluge u oblaku: Onemogućeno

**Ispis s:**

Omogućeno

Spremljeni zadaci za ponovni ispis: Omogućeno

Ispis s USB-a: Omogućeno

Ispiši iz poštanskog pretinca: Onemogućeno

Usluge u oblaku: Onemogućeno

**Raĕunovodstvo**

Naĕin raĕunovodstva: Ništa

Mre no raĕunovodstva: Onemogućeno

**Sigurnost****Konfiguracija provjere autentiĕnosti**

Provjera autentiĕnosti UI na uređaju: Lokalno na uređaju

Poĕetni zaslon: Otkljuĕano

Zadaci: Otkljuĕano

Uređaj: Otkljuĕano

Provjera autentiĕnosti uređaja na web mje... Lokalno na uređaju

Autorizacija: Lokalno na uređaju

Dohvaenje e-pošte s LDAP-a: Omogućeno

**Poslu itelj za provjeru autentiĕnosti:**

Kerberos

**Xerox zaštiæeni pristup:**

Onemogućeno

**Zapis za reviziju:**

Omogućeno

**Sig. IP:**

Onemogućeno

**Filtriranje IP:**

Onemogućeno

**Sigurnosni certifikati**

Potpisano

Certifikat uređaja: 56

Instalirani korisniĕki certifikati: 56

**802.1x:**

Onemogućeno

**Uklanjanje podataka o zadatku:**

Zakazano: Onemogućeno

**FIPS 140-3:**

Onemogućeno

**TLS:**

TLS 1.2 i TLS 1.3

SHA-1, SHA-256 i noviji

**Trellix Embedded Control:**

Poboljšana sigurnost

## Uobičajeni korisnički podaci

Ime uređaja:	Xerox AltaLink B8255 MFP (A2:6E:B8)
IP adresa:	10.61.16.41
Serijski broj uređaja:	ZQV624005
Linija faksa 1:	
URL uređaja:	https://10.61.16.41
Datum aktivacije uređaja:	Feb 28, 2025 12:23:30
Ukupan broj otisaka:	4336

## Profil uređaja

Xerox oznake sredstva:	
Korisničke oznake sredstva:	
Telefonski broj za usluge:	
Broj tehničke podrške za korisnike:	
Broj telefona za potrošni materijal:	
Administrator sustava:	Nije postavljeno
Lokacija uređaja:	Lokacija uređaja nije postavljena

## Upravlja

Primarni MB poslu itelj:	10.15.46.133:80
--------------------------	-----------------

## Hardver uređaja

Faks kartica:	Nije prisutno
Veličina memorije faksa:	0 MB
Ploča stranog sučelja:	nije prisutno
Veličina RAM-a uređaja:	4096 MB
Veličina pohrane uređaja:	korišteno=3303MB/ukupno=256060MB (SSD)
Veličina memorije EPC:	900 MB
Vrsta finišera:	Izlazna ladica sa slogačem
Finišer s probijačem:	Ništa
Mapa finišera:	nije prisutno
Komplet za otkrivanje višestrukog um...	Nije instalirano

## Opæe postavke

Daljinske usluge:	Omoguæeno
Udaljeno preuzimanje softvera:	Omoguæeno
Prijenos udaljenih usluga Vrijeme:	15:45
Xerox Workplace Cloud	Omoguæeno
Upozorenja e-pošte:	Onemoguæeno
Paket usluga:	Aktivirani paket
Naèin ispisa za naplatu:	Otisci A3
Zemljopisno područje:	nepoznato
Izveštaje konfiguriranja:	Omoguæeno
Pomak GMT:	+05:30
Instalacija kloniranja	Dopušteno (samo šifrirane datoteke)
Dopusti stanje ispisa kloniranih dat...	Omoguæeno
Dijeljenje datoteka	Omoguæeno
JBIG2	Bez gubitka

## Štedljivi naèin rada

Stanje dubokog mirovanja:	Onemoguæeno
Štedljivi naèin rada:	Zadatok aktiviran
Tajmer naèina mirovanja:	0 minute
Auto iskljuèivanje:	Onemoguæeno

## Pametni senzor blizine

Buðenje na dolasku:	Omoguæeno
Mirovanje na odlasku:	Onemoguæeno
Maksimiziranje raspona otkrivanja:	Onemoguæeno

## Verzije softvera

Softver uređaja:	122.041.005.08500
Verzija zakrpe:	Ništa
Mre ni upravljaè:	122.041.08500
Firmver upravljaèke ploèe korisnièkog suè...	003.005.00000
Korisnièko suèelje:	122.041.08500
Modul oznaèavanja:	072.001.000
Upravljaè kopiranja:	122.041.08500
Uvlaèaè dokumenata:	023.026.000
Finišer:	000.000.000
Faks:	000.000.000
OS:	122.005.08410
Skener:	017.024.014
Nadogradnja softvera:	122.041.08500
Ladica 2:	
Ladica 3:	
Ladica 4:	
Nadogradnje uređaja:	Dopušteno
Zadnja uspješna nadogradnja:	o ujak 28, 2025 17:42:58
Zakazane auto nadogradnje:	Onemoguæeno
Vrijeme poèetka auto nadogradnje:	Svakodnevno
Poslu itelj auto nadogradnje:	0.0.0.0:21

## Ladice za medij

Ladica 1:	Obièni, Bijela and Pismo (8.5 x 11")
Ladica 2:	Obièni, Bijela and A4 (210 x 297 mm)
Ladica 3:	Obièni, Bijela and Pismo (8.5 x 11")
Ladica 4:	Obièni, Bijela and Pismo (8.5 x 11")
Zaobilazna ladica:	Obièni, Bijela and x=1200mm, y=310mm

## Povezivost

## Mobilni tijekovi rada

Ispis AirPrint:	Omoguæeno
Ispis putem usluge Mopria:	Omoguæeno
Skeniranje AirPrint / Morphia	Omoguæeno
Potrebno je provjera autentiènosti:	Onemoguæeno
Univerzalni ispisi:	Onemoguæeno
Status registracije univerzalnog isp...	Nije registrirano

## Fizièke veze

Postavke USB-a	
USB prikljuèci tipa A	Sve omoguæeno
USB prikljuèak tipa B	Omoguæeno
èièano:	Omoguæeno
MAC adresa Ethernet:	9c:93:4e:a2:6e:b8
Brzina Ethernet / postavke dvostr:	automatski
Be ièno:	Onemoguæeno

Be ièna MAC adresa:	
Naziv mre e (SSID):	
BSSID:	
Naèin sigurnosti:	
Algoritam šifriranja:	
Status:	

## Wi-Fi Direct:

Be ièni hardver:	Omoguæeno
Nije instalirano	

## Wi-Fi Protected Setup™ (WPS) naziv:

Metoda povezivanja:	
Adresa podmre nog prefiksa:	
Pristupna toèka (SSID):	
Prikaz zaporka na zaslonu uređaja osjetlj...	

## NFC:

iBeacon (Bluetooth®) za otkrivanje znaèa...	Omoguæeno
---	-----------

Hardver za iBeacon:	Omoguæeno
Nije instalirano	

Adresa Bluetooth uređaja:	
IP adresa uređaja iBeacon:	

## Protokoli

## TCP/IPv4:

IP adresa:	Omoguæeno	10.61.16.41
Maska podmre e:		255.255.255.0
Ruter/pristupnik:		10.61.16.1
Automatsko adresiranje:		STATIÈNO
DHCP poslu itelj:		0.0.0.0

## Kraj najma DHCP-a:

Emitiranje BOOTP:	Onemoguæeno
-------------------	-------------

## Stanje samostalno dodijeljene adrese:

Samostalno dodijeljena adresa:	Omoguæeno
--------------------------------	-----------

## TCP/IPv6:

Lokalna adresa na razini veze:	Onemoguæeno
Korištenje prefiksa usmjerivaèa:	Omoguæeno
Globalna adresa 1 bez stanja:	::
Globalna adresa 2 bez stanja:	::

## Ruèna adresa:

Adresiranje DHCP:	Koristi DHCP prema uputama usmjerivaèa
-------------------	--

## Adresa DHCP:

Zadani pristupnik:	
DUID (jedinstveni identifikator DHCP):	

## Postavke DNS-a:

Zatra eni naziv hosta:	XR9C934EA26E88
------------------------	----------------

## Potvrðeni naziv hosta:

Zatra eni naziv domene:	
Potvrðeni naziv domene:	

## mDNS:

Pokreni najam DHCP-a i registracije ...	Omoguæeno
Primarni DNS poslu itelj:	Onemoguæeno

## Zamjenski DNS poslu itelj 1:

Zamjenski DNS poslu itelj 2:	::
Stanka povezivanja DNS-a:	::
Pridru ivanje domene uređaja:	5
Pridru ivanje nadreðene domene:	Omoguæeno
Popis pretra ivanja domene DNS:	Onemoguæeno
Preferiraj IPv6 DNS umjesto IPv4:	Omoguæeno

## Pridru ivanje domene uređaja:

Pridru ivanje nadreðene domene:	Omoguæeno
---------------------------------	-----------

## Popis pretra ivanja domene DNS:

Preferiraj IPv6 DNS umjesto IPv4:	Omoguæeno
-----------------------------------	-----------

## Instalirane opcije

PS:	Instalirano
-----	-------------

## Protokoli (nast.)

<b>Bonjour:</b>	
Naziv Bonjour pisača:	Xerox AltaLink B8255 MFP (A2:6E:B8)
<b>HTTP:</b>	Omogućeno
Broj priklučka:	80
Zadavanje prometa putem sigurne veze (...):	Da
Broj sigurnog HTTP priklučka:	443
Proxy poslu itelja:	Ručno
Adresa proxy poslu itelja:	10.177.8.91:8080
IPP	Omogućeno
Način sigurnog IPP-ja:	IPP i sigurni IPPS
IPP mre ni put:	http://10.61.16.41:631
<b>SNMP</b>	
SNMP v1/v2:	Omogućeno
SNMP v3:	Onemogućeno
<b>LPR/LPD:</b>	
Broj priklučka:	515
Prebacivanje PDL-a:	Onemogućeno
PDL zamjena oglasa:	Onemogućeno
<b>Izravni ispis IP:</b>	
Broj priklučka 1:	Omogućeno
Dvosmjerno:	9100
Stanka na kraju zadatka:	Onemogućeno
Prebacivanje PDL-a:	300
<b>LDAP</b>	
LDAP poslu itelja 1, prilagođeni naziv:	Onemogućeno
LDAP poslu itelja 1, primarna LDAP ad...:	0.0.0.0:389
LDAP poslu itelja 1, zamjenska LDAP a...:	0.0.0.0:389
LDAP poslu itelja 1, pretra ivanje korijen...:	Onemogućeno
LDAP poslu itelja 1, sigurna veza (LD...):	Onemogućeno
LDAP poslu itelja 1, provjerite valjanost ce...:	Onemogućeno
<b>SMTP</b>	
SMTP poslu itelja:	0.0.0.0:25
Šifriranje povezivanja (TLS):	Nema šifriranja
Provjera certifikata poslu itelja (T...):	10240
Maks. veličina poruke (KB):	1
Broj fragmenata:	300000
Ukupna veličina posla (KB):	Granica stranice
Podaci za auto e-poštu:	Ništa
Podaci za Walkup korisnike:	Ništa
Tip SMTP provjere autentičnosti:	Osnovna SMTP provjera autentičnosti
<b>POP3</b>	
POP3 poslu itelja:	0.0.0.0:110
POP3 Sigurna veza (TLS):	Onemogućeno
Adresa e-pošte:	Onemogućeno
POP3 Provjera certifikata poslu itelja:	Onemogućeno
Primitak e-pošte putem POP3:	Omogućeno
Slanje potvrde na zahtjev:	Omogućeno
Noslovno stranica ulazne e-pošte:	Onemogućeno
<b>NTP:</b>	
Primarni poslu itelja:	0.0.0.0:123
Alternativni poslu itelja:	0.0.0.0:123
<b>SLP:</b>	
FTP klijent:	Omogućeno
Način rada FTP klijenta:	Neaktivno
<b>Web usluge za uređaje:</b>	
WS otkrivanje:	Omogućeno
WS otkrivanje višesmjernog slanja:	Omogućeno
WS ispis:	Omogućeno
WS skeniranje:	Omogućeno
<b>Mre ne usluge</b>	
Kopiraj podneseno:	Omogućeno
Upravljanje digitalnim certifikatima i konfi...:	Omogućeno
Registracija proširivih usluga:	Omogućeno
Ograničenja zadatka:	Omogućeno
Proširenje za upravljanje poslovima:	Omogućeno
Konfiguracija uređaja:	Omogućeno
Skeniraj podneseno:	Omogućeno
Upravljanje skeniranjem radnog tijeka:	Omogućeno
Podaci sesije:	Omogućeno
Konfiguracija korisničkog sučelja:	Omogućeno
Konfiguracija EIP proxyja:	Omogućeno
Xerox zaštićeni pristup:	Onemogućeno
Konfiguracija SNMP-a EIP:	Omogućeno
Slanje ispisa:	Omogućeno
Upr. predloškom sken:	Omogućeno
Pristup masovnoj pohrani:	Omogućeno
Pristup čitaču kartice:	Omogućeno
Konfiguracija provjere autentičnosti i rač...:	Omogućeno
Izvezi zapis za reviziju:	Omogućeno
Trellix Embedded Control:	Omogućeno

## Aplikacije

<b>Ispisivanje</b>	
Oglasna stranica:	Onemogućeno
Sus/pokretanje posla:	Onemogućeno
Izbrisi zadane zadatke nakon:	3 Day(s) 0 Hour(s) 0 Minute(s)
Listovi s pogreškama:	Omogućeno
Zamjena papira:	Omogućeno
Prioritet ladica:	1,2,3,4,5
Zadane kopije:	1
Zudana vrsta zadatka:	Probni ispis
Zadana veličina papira:	x=210mm, y=297mm
Zadana boja papira:	Bijela
Zadani dvostrani ispis:	Dvostrano
Zadana izlazna ladica:	Glavna ladica
Zadana izlazna boja:	Crno-bijelo
Zadani poredani skupovi:	Omogućeno
Zadano spajanje:	Nema spajalice
Poravnavanje između zadataka:	Pomak između zadataka
PostScript	Instalirano
Razina:	3
Verzija:	3021.101
Kvaliteta slike:	Standardno
<b>PCL</b>	
Verzija:	6
Veličina razmaka:	10.00
Veličina točke:	12.00
Naziv fonta:	Courier
Redaka po stranici:	64
Prilagođene tablice boja	Omogućeno
Oznaka:	Nije instalirano
<b>Faks:</b>	
Linija faksa 1:	Nije prisutno
Linija faksa 2:	Nije prisutno
<b>Poslu iteljski faks:</b>	
Potvrđni list:	Omogućeno
Odgoda pokretanja:	Samo pogreške
Protokol spremišta:	Onemogućeno
Poslu itelja spremišta:	SMB
Putanja dokumenta spremišta:	10.61.23.93:445
<b>Skeniranje radnog tijeka:</b>	
Potvrđni list:	/
Protokol zadanog spremišta:	Omogućeno
Poslu itelja zadanog spremišta:	Samo pogreške
Putanja dokumenta zadanog spremišta:	SMB
Podaci za prijavu na zadano spremište:	0.0.0.0:0
Protokol Alt1 spremišta:	Uređaj
Poslu itelja Alt1 spremišta:	SMB
Putanja dokumenta Alt1 spremišta:	0.0.0.0:0
Podaci za prijavu na Alt1 spremište:	Uređaj
Protokol skupa radnih tijekova:	SMB
Poslu itelja skupa radnih tijekova:	0.0.0.0:0
Put skupa radnih tijekova:	Omogućeno
<b>E-pošta:</b>	
Zadano s adrese:	Omogućeno
Potvrđni list:	Samo pogreške
Auto slanje sebi:	Onemogućeno
Sigurnost e-pošte:	Onemogućeno
<b>Skeniranje na poštanski pretinac:</b>	
Zadano pregledavanje poštanskih pret...:	Omogućeno
Kapacitet pohrane (MB):	46924 MB
Iskorištena pohrana (MB):	2459 MB
Čišćenje javnih mapa:	Omogućeno
Čišćenje stvorenih mapa:	Omogućeno
Vrijeme čišćenja:	Svakodnevno
<b>Skeniranje na početni zaslon:</b>	
Prilagođeni naziv:	Onemogućeno
Naziv tijeka rada:	Onemogućeno
Auto stvari poddirek...:	Omogućeno
Dodaj korisničko ime u putanju:	Omogućeno
Auto stvar. dir. korisničkog imena:	Omogućeno
<b>Skeniraj na:</b>	
Usluge u oblaku:	Omogućeno
<b>Ispis s:</b>	
Spremljeni zadaci za ponovni ispis:	Omogućeno
Ispis s USB-a:	Omogućeno
Ispisi iz poštanskog pretinca:	Omogućeno
Usluge u oblaku:	Omogućeno

## Računovodstvo

Način računovodstva:	Ništa
Mrežno računovodstvo:	Onemogućeno

## Sigurnost

## Konfiguracija provjere autentičnosti

Provjera autentičnosti UI na uređaju:	Lokalno na uređaju
Početni zaslon:	Otključano
Zadaci:	Otključano
Uređaj:	Otključano
Provjera autentičnosti uređaja na web mje...	Lokalno na uređaju
Autorizacija:	Lokalno na uređaju
Dohvaćanje e-pošte s LDAP-a:	Omogućeno

## Poslužitelj za provjeru autentičnosti:

Kerberos primarno područje:	Kerberos
Kerberos primarna adresa:	0.0.0.0:88
Kerberos Alt 1 područje:	
Kerberos Alt 1 adresa:	0.0.0.0:88
SMB NT domena:	
SMB Alt 1 NT domena:	
Poslužitelj uprav. p. karticom:	0.0.0.0:443
Domena uprav. p. karticom:	
URL OCSP-a p. kartice:	
Pravilo za nadogradnju čitača kartica:	Omogućeno
Verzija firmvera čitača kartica:	

## Xerox zaštićeni pristup:

Poslužitelj za sigurni pristup:	Onemogućeno
Putanja za sigurni pristup:	0.0.0.0:443

## Zapis za reviziju:

Zapis za reviziju:	Omogućeno
Sig. IP:	Onemogućeno
Filtriranje IP:	Onemogućeno

## Sigurnosni certifikati

Certifikat uređaja:	Potpisano
Instalirani korisnički certifikati:	56
802.1x:	Onemogućeno

## Uklanjanje podataka o zadatku:

Zakazano:	Onemogućeno
Učestalost zakazanog:	

## FIPS 140-3:

FIPS 140-3:	Onemogućeno
TLS:	TLS 1.2 i TLS 1.3
TLS Hash:	SHA-1, SHA-256 i noviji

## Trellix Embedded Control:

Trellix Embedded Control:	Poboljšana sigurnost
---------------------------	----------------------

## Postavljanje proširivih usluga

Preglednik treće generacije:	X3G_3.24.23_2.40.5_011_01.00.00
Verzija widgeta:	v1.3.17 c8 20140613
Verzija widgeta:	v2.5.04 g9 20240123



**Common User Data**

Machine Name: Xerox AltaLink B8255 MFP (A2:6E:B8)  
 IP Address: 10.61.16.41  
 Machine Serial Number: ZQV624005  
 Fax Line 1:  
 Machine URL: https://10.61.16.41  
 Machine Activation Date: Feb 28, 2025 12:23:30  
 Total Impressions: 4341

**Machine Profile**

Xerox Asset Tag:  
 Customer Asset Tag:  
 Service Phone Number:  
 Customer Support Number:  
 Supplies Phone Number:  
 System Administrator: Not set  
 Machine Location: machine location not set

**Managed By**

Primary MB Server: 10.15.46.133:80

**Machine Hardware**

Fax Card: Not Present  
 Fax Memory Size: 0 MB  
 Foreign Interface Card: not present  
 Device RAM Size: 4096 MB  
 Device Storage Size: used: 3266MB/total=256060MB (SSD)  
 EPC Memory Size: 900 MB  
 Finisher Type: Offsetting Catch Tray  
 Finisher Punch: None  
 Finisher Folder: not present  
 Multi-feed Detection Kit: Not Installed

**General Setup**

Remote Services: Enabled  
 Remote Software Download: Enabled  
 Remote Services Trans. Time: 15:45  
 Xerox Workplace Cloud: Enabled  
 E-mail Alerts: Disabled  
 Service Plan: Plan Activated  
 Billing Impression Mode: A3 Impressions  
 Geographic Region: unknown  
 GMT Offset: +05:30  
 Cloning Installation: Allowed (Encrypted Files Only)  
 File Sharing: Enabled  
 JBIG2: Lossless

**Energy Saver**

Deep Sleep: Disabled  
 Energy Saver Mode: Job Activated

**Smart Proximity Sensor**

Wake on Arrival: Enabled  
 Sleep on Departure: Disabled

**Software Versions**

Device Software: 122.041.005.08500  
 Patch Version: None  
 Network Controller: 122.041.08500  
 UI Panel Firmware: 003.005.00000  
 Marking Engine: 072.001.000  
 Document Feeder: 023.026.000  
 Finisher: 000.000.000  
 Fax: 000.000.000  
 Scanner: 017.024.014  
**Machine Upgrades:**  
 Last Successful Upgrade: March 28, 2025 17:42:58

**Media Trays**

Tray 1: Plain, White and Letter (8.5 x 11")  
 Tray 2: Plain, White and A4 (210 x 297 mm)  
 Tray 3: Plain, White and Letter (8.5 x 11")  
 Tray 4: Plain, White and Letter (8.5 x 11")  
 Bypass Tray: Plain, White and x=1200mm, y=310mm

**Installed Options**

PS: Installed

**Connectivity**

**Mobile Workflows**

AirPrint Printing: Enabled  
 Mopria Printing: Enabled  
 AirPrint / Mopria Scanning: Enabled  
 Authentication Required: Disabled

**Physical Connections**

**USB Settings**  
 USB Type A Ports: Custom  
 USB Type B Port: Enabled  
**Wired:**  
 Ethernet MAC Address: 9c:93:4e:a2:6e:b8  
 Ethernet Speed/Duplex Setting: auto  
**Wireless:**  
 Wireless MAC Address: Disabled

Wireless MAC Address:  
 Network Name (SSID):  
 BSSID:  
 Security Mode:  
 Encryption Algorithm:  
 Status:

**Wi-Fi Direct:** Enabled  
 Wireless Hardware: Not Installed

Wi-Fi Protected Setup™ (WPS) Name:  
 Access Point (SSID):  
 Show Password on Device Touch Screen:

**NFC:** Enabled  
 iBeacon (Bluetooth®) for AirPrint Di...: Enabled  
 iBeacon Hardware: Not Installed  
 Bluetooth Device Address:  
 iBeacon IP Address:

**Protocols**

**TCP/IPV4:** Enabled  
 IP Address: 10.61.16.41  
 Subnet Mask: 255.255.255.0  
 Router/Gateway: 10.61.16.1  
 Automatic Addressing: STATIC  
 DHCP Server: 0.0.0.0

DHCP Lease Expiration: Disabled  
 BOOTP Broadcast: Enabled  
 Self Assigned Address State:  
 Self Assigned Address:

**TCP/IPV6:** Disabled

Link Local Address:  
 Use Router Supplied Prefix: Enabled  
 Stateless Global Address 1: ::  
 Stateless Global Address 2: ::  
 Manual Address:  
 DHCP Addressing: Use DHCP as directed by a router  
 DHCP Address:  
 Default Gateway:  
 DUID (DHCP Unique Identifier):

**DNS Settings:**

Requested Host Name: XRX9C934EA26EB8  
 Verified Host Name:  
 Requested Domain Name:  
 Verified Domain Name:  
 Multicast DNS: Enabled  
 Release DHCP Leases and DNS Registrati...: Disabled  
 Primary DNS Server: ::  
 Prefer IPv6 DNS over IPv4: Enabled

**Bonjour:**

Bonjour Printer Name: Xerox AltaLink B8255 MFP (A2:6E:B8)  
**HTTP:** Enabled  
 Force Traffic over Secure Connection (H...: Yes  
 IPP: Enabled

**SNMP**

SNMP v1/v2: Enabled  
 SNMP v3: Disabled

**LPR/LPD:**

Raw IP Printing: Enabled

**LDAP**

LDAP Server 1 Primary LDAP Address: 0.0.0.0:389  
 LDAP Server 1 Search Directory Root:  
 LDAP Server 1 Secure Connection (LDA...: Disabled  
 LDAP Server 1 Validate Server Certificate...: Disabled

**SMTP**

SMTP Server: 0.0.0.0:25  
 Connect Encryption (TLS): No Encryption  
 Validate Server Certificate (TLS):  
 SMTP Authentication Type: Basic Auth with SMTP

**Protocols (cont.)**

POP3	
POP3 Server:	0.0.0.0:110
POP3 Secure Connection (TLS):	Disabled
POP3 Validate Server Certificate:	
E-mail Address:	
NTP:	Disabled
FTP Client:	Enabled
FTP Client Mode:	Passive
Web Services on Device:	Enabled

**Apps****Printing**

Banner Sheet:	Disabled
Error Sheets:	Enabled
Paper Substitution:	Enabled
Troy Priority:	1,2,3,4,5
PostScript	Installed
Level:	3
Version:	3021.101
PCL	
Version:	6
Font Name:	Courier
Custom Color Tables	Enabled
Label:	Not Installed

**Fax:**

Fax Line1:	Not Present
Fax Line2:	

**Server Fax:**

Repository Protocol:	Enabled
Repository Server:	SMB
Repository Server:	10.61.23.93:445
Repository Document Path:	/

**Workflow Scanning:**

	Enabled
--	---------

**Email:**

	Enabled
--	---------

**Scan to Mailbox:**

	Enabled
Storage Capacity (MB):	46924 MB
Storage Used (MB):	2459 MB
Cleanup of Public Folders:	Enabled
Cleanup of Created Folders:	Enabled
Cleanup Time:	Daily

**Scan to Home:**

	Disabled
--	----------

**Scan To:**

	Enabled
--	---------

**Cloud Services:**

	Disabled
--	----------

**Print From:**

	Enabled
--	---------

Saved Jobs for Reprint:	Enabled
-------------------------	---------

Print From USB:	Enabled
-----------------	---------

Print From MailBox:	Disabled
---------------------	----------

Cloud Services:	Disabled
-----------------	----------

**Accounting**

Accounting Mode:	None
Network Accounting:	Disabled

**Security****Authentication Configuration**

Machine UI Authentication:	Locally on the Device
Home:	Unlocked
Jobs:	Unlocked
Device:	Unlocked
Device Website Authentication:	Locally on the Device
Authorization:	Locally on the Device
Retrieve E-mail from LDAP:	Enabled
Authentication Server:	Kerberos
Xerox Secure Access:	Disabled
Audit Log:	Enabled
IP Sec:	Disabled
IP Filtering:	Disabled

**Security Certificates**

Machine Certificate:	Signed
Root Certificates Installed:	56

802.1x:	Disabled
---------	----------

**Job Data Removal:**

Scheduled:	Disabled
------------	----------

FIPS 140-3:	Disabled
-------------	----------

TLS:	TLS 1.2 and TLS 1.3
------	---------------------

TLS Hash:	SHA-1, SHA-256 and above
-----------	--------------------------

Trellix Embedded Control:	Enhanced Security
---------------------------	-------------------

**Common User Data**

Machine Name: Xerox AltaLink B8255 MFP (A2:6E:B8)  
 IP Address: 10.61.16.41  
 Machine Serial Number: ZQV624005  
 Fax Line 1:  
 Machine URL: https://10.61.16.41  
 Machine Activation Date: Feb 28, 2025 12:23:30  
 Total Impressions: 4343

**Machine Profile**

Xerox Asset Tag:  
 Customer Asset Tag:  
 Service Phone Number:  
 Customer Support Number:  
 Supplies Phone Number:  
 System Administrator: Not set  
 Machine Location: machine location not set

**Managed By**

Primary MB Server: 10.15.46.133:80

**Machine Hardware**

Fax Card: Not Present  
 Fax Memory Size: 0 MB  
 Foreign Interface Card: not present  
 Device RAM Size: 4096 MB  
 Device Storage Size: used= 3268MB/total=256060MB (SSD)  
 EPC Memory Size: 900 MB  
 Finisher Type: Offsetting Catch Tray  
 Finisher Punch: None  
 Finisher Folder: not present  
 Multi-feed Detection Kit: Not Installed

**General Setup**

Remote Services: Enabled  
 Remote Software Download: Enabled  
 Remote Services Trans. Time: 15:45  
 Xerox Workplace Cloud: Enabled  
 E-mail Alerts: Disabled  
 Service Plan: Plan Activated  
 Billing Impression Mode: A3 Impressions  
 Geographic Region: unknown  
 GMT Offset: +05:30  
 Cloning Installation: Allowed (Encrypted Files Only)  
 File Sharing: Enabled  
 JBIG2: Lossless

**Energy Saver**

Deep Sleep: Disabled  
 Energy Saver Mode: Job Activated

**Smart Proximity Sensor**

Wake on Arrival: Enabled  
 Sleep on Departure: Disabled

**Software Versions**

Device Software: 122.041.005.08500  
 Patch Version: None  
 Network Controller: 122.041.08500  
 UI Panel Firmware: 003.005.00000  
 Marking Engine: 072.001.000  
 Document Feeder: 023.026.000  
 Finisher: 000.000.000  
 Fax: 000.000.000  
 Scanner: 017.024.014  
**Machine Upgrades:**  
 Last Successful Upgrade: March 28, 2025 17:42:58

**Media Trays**

Tray 1: Plain, White and Letter (8.5 x 11")  
 Tray 2: Plain, White and A4 (210 x 297 mm)  
 Tray 3: Plain, White and Letter (8.5 x 11")  
 Tray 4: Plain, White and Letter (8.5 x 11")  
 Bypass Tray: Plain, White and x=1200mm, y=310mm

**Installed Options**

PS: Installed

**Connectivity**

**Mobile Workflows**

AirPrint Printing: Enabled  
 Mopria Printing: Enabled  
 AirPrint / Mopria Scanning Authentication Required: Disabled

**Physical Connections**

**USB Settings**  
 USB Type A Ports: Custom  
 USB Type B Port: Enabled  
**Wired:**  
 Ethernet MAC Address: 9c:93:4e:a2:6e:b8  
 Ethernet Speed/Duplex Setting: auto  
**Wireless:**  
 Wireless MAC Address:  
 Network Name (SSID):  
 BSSID:  
 Security Mode:  
 Encryption Algorithm:  
 Status: Disabled

**Wi-Fi Direct:**  
 Wireless Hardware: Enabled  
 Not Installed  
 Wi-Fi Protected Setup™ (WPS) Name:  
 Access Point (SSID):  
 Show Password on Device Touch Screen:  
**NFC:**  
 iBeacon (Bluetooth®) for AirPrint Di...: Enabled  
 iBeacon Hardware: Enabled  
 Bluetooth Device Address:  
 iBeacon IP Address: Not Installed

**Protocols**

**TCP/IPv4:** Enabled  
 IP Address: 10.61.16.41  
 Subnet Mask: 255.255.255.0  
 Router/Gateway: 10.61.16.1  
 Automatic Addressing: STATIC  
 DHCP Server: 0.0.0.0  
 DHCP Lease Expiration:  
 BOOTP Broadcast: Disabled  
 Self Assigned Address State: Enabled  
 Self Assigned Address:

**TCP/IPv6:**

Link Local Address:  
 Use Router Supplied Prefix: Enabled  
 Stateless Global Address 1: ::  
 Stateless Global Address 2: ::  
 Manual Address:  
 DHCP Addressing: Use DHCP as directed by a router  
 DHCP Address:  
 Default Gateway:  
 DUID (DHCP Unique Identifier):

**DNS Settings:**

Requested Host Name: XRX9C934EA26EBB  
 Verified Host Name:  
 Requested Domain Name:  
 Verified Domain Name:  
 Multicast DNS: Enabled  
 Release DHCP Leases and DNS Registrati...: Disabled  
 Primary DNS Server: ::  
 Prefer IPv6 DNS over IPv4: Enabled

**Bonjour:**

Bonjour Printer Name: Xerox AltaLink B8255 MFP (A2:6E:B8)  
**HTTP:** Enabled  
 Force Traffic over Secure Connection (H...: Yes  
 IPP: Enabled

**SNMP**

SNMP v1/v2: Enabled  
 SNMP v3: Disabled

**LPR/LPD:**

Raw IP Printing: Enabled

**LDAP**

LDAP Server 1 Primary LDAP Address: 0.0.0.0:389  
 LDAP Server 1 Search Directory Root:  
 LDAP Server 1 Secure Connection (LDA...: Disabled  
 LDAP Server 1 Validate Server Certificate...: Disabled

**SMTP**

SMTP Server: 0.0.0.0:25  
 Connect Encryption (TLS): No Encryption  
 Validate Server Certificate (TLS):  
 SMTP Authentication Type: Basic Auth with SMTP

**Protocols (cont.)**

<b>POP3</b>	
POP3 Server:	0.0.0.0:110
POP3 Secure Connection (TLS):	Disabled
POP3 Validate Server Certificate:	
E-mail Address:	
<b>NTP:</b>	Disabled
<b>FTP Client:</b>	Enabled
FTP Client Mode:	Passive
<b>Web Services on Device:</b>	Enabled

**Apps****Printing**

<b>Banner Sheet:</b>	Disabled
<b>Error Sheets:</b>	Enabled
<b>Paper Substitution:</b>	Enabled
<b>Tray Priority:</b>	1,2,3,4,5
<b>PostScript</b>	Installed
Level:	3
Version:	3021.101
<b>PCL</b>	
Version:	6
Font Name:	Courier
<b>Custom Color Tables</b>	Enabled
Label:	Not Installed
<b>Fax:</b>	Not Present

Fax Line1:	
Fax Line2:	

**Server Fax:**

Repository Protocol:	Enabled
Repository Server:	SMB
Repository Server:	10.61.23.93:445
Repository Document Path:	/

**Workflow Scanning:**

	Enabled
--	---------

**Email:**

	Enabled
--	---------

**Scan to Mailbox:**

	Enabled
Storage Capacity (MB):	46924 MB
Storage Used (MB):	2459 MB
Cleanup of Public Folders:	Enabled
Cleanup of Created Folders:	Enabled
Cleanup Time:	Daily

**Scan to Home:**

	Disabled
--	----------

**Scan To:**

	Enabled
--	---------

**Cloud Services:**

	Disabled
--	----------

**Print From:**

	Enabled
--	---------

Saved Jobs for Reprint:	Enabled
Print From USB:	Enabled
Print From MailBox:	Disabled
Cloud Services:	Disabled

**Accounting**

Accounting Mode:	None
Network Accounting:	Disabled

**Security****Authentication Configuration**

<b>Machine UI Authentication:</b>	Locally on the Device
Home:	Unlocked
Jobs:	Unlocked
Device:	Unlocked
<b>Device Website Authentication:</b>	Locally on the Device
Authorization:	Locally on the Device
Retrieve E-mail from LDAP:	Enabled

**Authentication Server:**

	Kerberos
--	----------

**Xerox Secure Access:**

	Disabled
--	----------

**Audit Log:**

	Enabled
--	---------

**IP Sec:**

	Disabled
--	----------

**IP Filtering:**

	Disabled
--	----------

**Security Certificates**

Machine Certificate:	Signed
Root Certificates Installed:	56

**802.1x:**

	Disabled
--	----------

**Job Data Removal:**

Scheduled:	Disabled
------------	----------

**FIPS 140-3:**

	Disabled
--	----------

**TLS:**

	TLS 1.2 and TLS 1.3
--	---------------------

TLS Hash:	SHA-1, SHA-256 and above
-----------	--------------------------

**Trellix Embedded Control:**

	Enhanced Security
--	-------------------

**Common User Data**

Machine Name: Xerox AltaLink B8255 MFP (A2.6E:88)  
 IP Address: 10.61.16.41  
 Machine Serial Number: ZQV624005  
 Fax Line1:  
 Machine URL: https://10.61.16.41  
 Machine Activation Date: Feb 28, 2025 12:23:30  
 Total Impressions: 4343

**Machine Profile**

Xerox Asset Tag:  
 Customer Asset Tag:  
 Service Phone Number:  
 Customer Support Number:  
 Supplies Phone Number:  
 System Administrator: Not set  
 Machine Location: machine location not set  
**Managed By**  
 Primary MB Server: 10.15.46.133:80

**Machine Hardware**

Fax Card: Not Present  
 Fax Memory Size: 0 MB  
 Foreign Interface Card: not present  
 Device RAM Size: 4096 MB  
 Device Storage Size: used = 3269MB/total = 256060MB (SSD)  
 EPC Memory Size: 900 MB  
 Finisher Type: Offsetting Catch Tray  
 Finisher Punch: None  
 Finisher Folder: not present  
 Multi-feed Detection Kit: Not Installed

**General Setup**

Remote Services: Enabled  
 Remote Software Download: Enabled  
 Remote Services Trans. Time: 15:45  
 Xerox Workplace Cloud: Enabled  
 E-mail Alerts: Disabled  
 Service Plan: Plan Activated  
 Billing Impression Mode: A3 Impressions  
 Geographic Region: unknown  
 Startup Config Report: Enabled  
 GMT Offset: +05:30  
 Cloning Installation: Allowed (Encrypted Files Only)  
 Allow Print Submission of Clone Files: Enabled  
 File Sharing: Enabled  
 JBIG2: Lossless  
**Energy Saver**  
 Deep Sleep: Disabled  
 Energy Saver Mode: Job Activated  
 Sleep Mode Timer: 0 minutes  
 Auto-Off: Disabled  
**Smart Proximity Sensor**  
 Wake on Arrival: Enabled  
 Sleep on Departure: Disabled  
 Maximize Detection Range: Disabled

**Software Versions**

Device Software: 122.041.005.08500  
 Patch Version: None  
 Network Controller: 122.041.08500  
 UI Panel Firmware: 003.005.00000  
 User Interface: 122.041.08500  
 Marking Engine: 072.001.0000  
 Copy Controller: 122.041.08500  
 Document Feeder: 023.026.000  
 Finisher: 000.000.000  
 Fax: 000.000.000  
 OS: 122.005.08410  
 Scanner: 017.024.014  
 Software Upgrade: 122.041.08500  
 Tray 2:  
 Tray 3:  
 Tray 4:  
**Machine Upgrades:**  
 Last Successful Upgrade: Allowed  
 March 28, 2025 17:42:58  
 Scheduled Auto Upgrades: Disabled  
 Auto Upgrade Start Time: Daily  
 Auto Upgrade Server: 0.0.0.21

**Media Trays**

Tray 1: Plain, White and Letter (8.5 x 11")  
 Tray 2: Plain, White and A4 (210 x 297 mm)  
 Tray 3: Plain, White and Letter (8.5 x 11")  
 Tray 4: Plain, White and Letter (8.5 x 11")  
 Bypass Tray: Plain, White and x=1200mm, y=310mm

**Connectivity**

**Mobile Workflows**

AirPrint Printing: Enabled  
 Mopria Printing: Enabled  
 AirPrint / Mopria Scanning: Enabled  
 Authentication Required: Disabled  
 Universal Print: Disabled  
 Universal Print Registration Status: Not Registered

**Physical Connections**

USB Settings  
 USB Type A Ports: Custom  
 USB Type B Port: Enabled  
 Connection Timeout: 20 seconds  
 Wired: Enabled  
 Ethernet MAC Address: 9c:93:4e:a2:6e:b8  
 Ethernet Speed/Duplex Setting: auto  
 Wireless: Disabled

**Wireless**

Wireless MAC Address:  
 Network Name (SSID):  
 BSSID:  
 Security Mode:  
 Encryption Algorithm:  
 Status:  
**Wi-Fi Direct:** Enabled  
 Wireless Hardware: Not Installed  
 Wi-Fi Protected Setup™ (WPS) Name:  
 Connection Method:  
 Subnet Prefix Address:  
 Access Point (SSID):  
 Show Password on Device Touch Screen:

**NFC:**

iBeacon (Bluetooth®) for AirPrint Di...  
 iBeacon Hardware: Not Installed  
 Bluetooth Device Address:  
 iBeacon IP Address:

**Protocols**

**TCP/IPV4:**

Enabled  
 IP Address: 10.61.16.41  
 Subnet Mask: 255.255.255.0  
 Router/Gateway: 10.61.16.1  
 Automatic Addressing: STATIC  
 DHCP Server: 0.0.0.0  
 DHCP Lease Expiration:  
 BOOTP Broadcast: Disabled  
 Self Assigned Address State: Enabled  
 Self Assigned Address:

**TCP/IPV6:**

Disabled  
 Link Local Address:  
 Use Router Supplied Prefix: Enabled  
 Stateless Global Address 1: ::  
 Stateless Global Address 2: ::  
 Manual Address:  
 DHCP Addressing: Use DHCP as directed by a router  
 DHCP Address:  
 Default Gateway:  
 DUID (DHCP Unique Identifier):

**DNS Settings:**

Requested Host Name: XRX9C934EA26E88  
 Verified Host Name:  
 Requested Domain Name:  
 Verified Domain Name:  
 Multicast DNS: Enabled  
 Release DHCP Leases and DNS Registrati...: Disabled  
 Primary DNS Server: ::  
 Alternate DNS Server 1: ::  
 Alternate DNS Server 2: ::  
 DNS Connection Timeout: 5  
 Append Device Domain: Enabled  
 Append Parent Domains: Disabled  
 DNS Domain Search List:  
 Prefer IPv6 DNS over IPv4: Enabled

**Installed Options**

PS: Installed

**Protocols (cont.)**

**Bonjour:**  
 Bonjour Printer Name: Xerox AltaLink B8255 MFP (A2:6E:B8)  
**HTTP:**  
 Port Number: Enabled  
 80  
 Force Traffic over Secure Connection (H... Yes  
 Secure HTTP Port Number: 443  
 Proxy Server: Manual  
 Proxy Server Address: 10.177.8.91:8080  
 IPP Enabled  
 Secure IPP Mode: IPP and Secure IPPs  
 IPP Network Path: http://10.61.16.41:631

**SNMP**  
 SNMP v1/v2: Enabled  
 SNMP v3: Disabled

**LPR/LPD:**  
 Port Number: Enabled  
 515  
 PDL Switching: Disabled  
 PDL Banner Override: Disabled

**Raw IP Printing:**  
 Port Number 1: Enabled  
 Bidirectional: Disabled  
 End of Job Timeout: 300  
 PDL Switching: Disabled

**LDAP**  
 LDAP Server 1 Friendly Name:  
 LDAP Server 1 Primary LDAP Address: 0.0.0.0:389  
 LDAP Server 1 Alternate LDAP Address: 0.0.0.0:389  
 LDAP Server 1 Search Directory Root:  
 LDAP Server 1 Secure Connection (LDA... Disabled  
 LDAP Server 1 Validate Server Certificate... Disabled

**SMTP**  
 SMTP Server: 0.0.0.0:25  
 Connect Encryption (TLS): No Encryption  
 Validate Server Certificate (TLS):  
 Max Message Size (KB): 10240  
 Number of Fragments: 1  
 Total Job Size (KB): 300000  
 Job Splitting Boundary: Page Boundary  
 Credentials for Auto E-mails: None  
 Credentials for Walkup User: None  
 SMTP Authentication Type: Basic Auth with SMTP

**POP3**  
 POP3 Server: 0.0.0.0:110  
 POP3 Secure Connection (TLS): Disabled  
 E-mail Address:  
 POP3 Validate Server Certificate:  
 Receipt of E-mail via POP3: Disabled  
 Send Confirm on Request: Enabled  
 Incoming E-mail cover sheet: Enabled

**NTP:**  
 Primary Server: 0.0.0.0:123  
 Alternate Server: 0.0.0.0:123

**SLP:**  
 Disabled

**FTP Client:**  
 FTP Client Mode: Passive

**Web Services on Device:**  
 WS-Discovery: Enabled  
 WS-Discovery Multicast: Enabled  
 WS-Print: Enabled  
 WS-Scan: Enabled

**Web Services**  
 Copy Submission: Enabled  
 Digital Certificate Management and Securi... Enabled  
 Extensible Service Registration: Enabled  
 Job Limits: Enabled  
 Job Management Extension: Enabled  
 Device Configuration: Enabled  
 Scan Submission: Enabled  
 Scan Workflow Management: Enabled  
 Session Data: Enabled  
 User Interface Configuration: Enabled  
 EIP Proxy Configuration: Enabled  
 Xerox Secure Access: Disabled  
 EIP SNMP Configuration: Enabled  
 Print Submission: Enabled  
 Scan Template Mgmt: Enabled  
 Mass Storage Access: Enabled  
 Card Reader Access: Enabled  
 Authentication & Accounting Configur... Enabled  
 Export Audit Log: Enabled  
 Trellix Embedded Control: Enabled

**Apps**

**Printing**

Banner Sheet: Disabled  
 Sys/Start Job: Disabled  
 Delete Held Jobs After: 3 Day(s) 0 Hour(s) 0 Minute(s)  
 Error Sheets: Enabled  
 Paper Substitution: Enabled  
 Tray Priority: 1,2,3,4,5  
 Default Copies: 1  
 Default Job Type: Normal Print  
 Default Paper Size: x=210mm, y=297mm  
 Default Paper Color: White  
 Default 2 Sided Printing: 2 Sided  
 Default Output Tray: Main Tray  
 Default Output Color: Black & White  
 Default Collated Sets: Enabled  
 Default Stapling: Not Available  
 Offsetting Between Jobs: Offset Between Jobs  
**Post Script**  
 Level: Installed  
 3  
 Version: 3021.101  
 Image Quality: Standard

**PCL**  
 Version: 6  
 Pitch Size: 10.00  
 Point Size: 12.00  
 Font Name: Courier  
 Lines Per Page: 64  
**Custom Color Tables**  
 Label: Enabled  
 Not Installed  
 Not Present

**Fax:**

Fax Line1:  
 Fax Line2:  
**Server Fax:** Enabled  
 Confirmation Sheet: Errors Only  
 Delay Start: Disabled  
 Repository Protocol: SMB  
 Repository Server: 10.61.23.93:445  
 Repository Document Path: /

**Workflow Scanning:**

Confirmation Sheet: Enabled  
 Errors Only  
 SMB  
 0.0.0.0:0  
 Default Repository Protocol:  
 Default Repository Server:  
 Default Repository Document Path:  
 Default Repository Login Credentials: Device  
 Alt1 Repository Protocol: SMB  
 0.0.0.0:0  
 Alt1 Repository Server:  
 Alt1 Repository Document Path:  
 Alt1 Repository Login Credentials: Device  
 Workflow Pool Protocol: SMB  
 Workflow Pool Server: 0.0.0.0:0  
 Workflow Pool Path:

**Email:**

Default From Address:  
 Confirmation Sheet: Errors Only  
 Auto Send to Self: Disabled  
 E-mail Security: Disabled

**Scan to Mailbox:**

View Mailboxes by Default: Enabled  
 Storage Capacity (MB): 46924 MB  
 Storage Used (MB): 2459 MB  
 Cleanup of Public Folders: Enabled  
 Cleanup of Created Folders: Enabled  
 Cleanup Time: Daily  
**Scan to Home:** Disabled

**Scan to Home:**

Friendly Name:  
 Workflow Name:  
 Auto Create Subdir: Disabled  
 Append User Name to Path: Disabled  
 Auto Create User Name Dir: Disabled

**Scan To:**

Cloud Services: Enabled  
 Disabled  
**Print From:** Enabled  
 Saved Jobs for Reprint: Enabled  
 Print From USB: Enabled  
 Print From MailBox: Disabled  
 Cloud Services: Disabled

**Accounting**

Accounting Mode: None  
 Network Accounting: Disabled

**Security****Authentication Configuration**

Machine UI Authentication: Locally on the Device  
 Home: Unlocked  
 Jobs: Unlocked  
 Device: Unlocked  
 Device Website Authentication: Locally on the Device  
 Authorization: Locally on the Device  
 Retrieve E-mail from LDAP: Enabled

**Authentication Server:**

Kerberos: Kerberos  
 Kerberos Primary Realm:  
 Kerberos Primary Address: 0.0.0.88  
 Kerberos Alt 1 Realm:  
 Kerberos Alt 1 Address: 0.0.0.88  
 SMB NT Domain:  
 SMB Alt 1 NT Domain:  
 Smartcard Ctrl Server: 0.0.0.443  
 Smartcard Ctrl Domain:  
 SmartCard OCSP URL:  
 Card Reader Upgrade Policy: Enabled  
 Card Reader Firmware Version:

**Xerox Secure Access:**

Secure Access Server: Disabled  
 Secure Access Path: 0.0.0.443

**Audit Log:**

Enabled

**IP Sec:**

Disabled

**IP Filtering:**

Disabled

**Security Certificates**

Machine Certificate: Signed  
 Root Certificates Installed: 56

**802.1x:**

Disabled

**Job Data Removal:**

Scheduled: Disabled  
 Scheduled Frequency:

**FIPS 140-3:**

Disabled

**TLS:**

TLS Hash: TLS 1.2 and TLS 1.3  
 SHA-1, SHA-256 and above

**Trellix Embedded Control:**

Enhanced Security

**Extensible Service Setup**

Third Generation Browser: X3G\_3.24.23\_2.40.5\_011\_01.00.00  
 Widget Version: v1.3.17 c8 20140613  
 Widget Version: v2.5.04 g9 20240123

**Common User Data**

Machine Name: Xerox AltaLink B8255 MFP (A2:6E:B8)  
 IP Address: 10.61.16.41  
 Machine Serial Number: ZQV624005  
 Fax Line 1:  
 Machine URL: https://10.61.16.41  
 Machine Activation Date: Feb 28, 2025 12:23:30  
 Total Impressions: 4348

**Machine Profile**

Xerox Asset Tag:  
 Customer Asset Tag:  
 Service Phone Number:  
 Customer Support Number:  
 Supplies Phone Number:  
 System Administrator:  
 Machine Location: machine location not set

**Managed By**

Primary MB Server: 10.15.46.133:80

**Machine Hardware**

Fax Card: Not Present  
 Fax Memory Size: 0 MB  
 Foreign Interface Card: not present  
 Device RAM Size: 4096 MB  
 Device Storage Size: used= 3277MB/total= 256060MB (SSD)  
 EPC Memory Size: 900 MB  
 Finisher Type: Offsetting Catch Tray  
 Finisher Punch: None  
 Finisher Folder: not present  
 Multi-feed Detection Kit: Not Installed

**General Setup**

Remote Services: Enabled  
 Remote Software Download: Enabled  
 Remote Services Trans. Time: 15:45  
 Xerox Workplace Cloud: Enabled  
 E-mail Alerts: Disabled  
 Service Plan: Plan Activated  
 Billing Impression Mode: A3 Impressions  
 Geographic Region: unknown  
 GMT Offset: +05:30  
 Cloning Installation: Allowed (Encrypted Files Only)  
 File Sharing: Enabled  
 JBIG2: Lossless

**Energy Saver**

Deep Sleep: Disabled  
 Energy Saver Mode: Job Activated

**Smart Proximity Sensor**

Wake on Arrival: Enabled  
 Sleep on Departure: Disabled

**Software Versions**

Device Software: 122.041.005.08500  
 Patch Version: None  
 Network Controller: 122.041.08500  
 UI Panel Firmware: 003.005.00000  
 Marking Engine: 072.001.000  
 Document Feeder: 023.026.000  
 Finisher: 000.000.000  
 Fax: 000.000.000  
 Scanner: 017.024.014  
**Machine Upgrades:**  
 Last Successful Upgrade: March 28, 2025 17:42:58

**Media Trays**

Tray 1: Plain, White and Letter (8.5 x 11")  
 Tray 2: Plain, White and A4 (210 x 297 mm)  
 Tray 3: Plain, White and Letter (8.5 x 11")  
 Tray 4: Plain, White and Letter (8.5 x 11")  
 Bypass Tray: Plain, White and x=1200mm, y=310mm

**Installed Options**

PS: Installed

**Connectivity**

**Mobile Workflows**

AirPrint Printing: Enabled  
 Mopria Printing: Enabled  
 AirPrint / Mopria Scanning Authentication Required: Enabled  
 Physical Connections: Disabled

**USB Settings**

USB Type A Ports: Custom  
 USB Type B Port: Enabled

**Wired:**

Ethernet MAC Address: 9c:93:4e:a2:6e:b8  
 Ethernet Speed/Duplex Setting: auto  
 Disabled

**Wireless:**

Wireless MAC Address:  
 Network Name (SSID):  
 BSSID:  
 Security Mode:  
 Encryption Algorithm:  
 Status: Enabled

**Wi-Fi Direct:**

Wireless Hardware: Not Installed

Wi-Fi Protected Setup™ (WPS) Name:

Access Point (SSID):

Show Password on Device Touch Screen:

NFC: Enabled

iBeacon (Bluetooth®) for AirPrint Di... Enabled

iBeacon Hardware: Not Installed

iBeacon Device Address:

iBeacon IP Address:

**Protocols**

**TCP/IPV4:**

Enabled  
 IP Address: 10.61.16.41  
 Subnet Mask: 255.255.255.0  
 Router/Gateway: 10.61.16.1  
 Automatic Addressing: STATIC  
 DHCP Server: 0.0.0.0  
 DHCP Lease Expiration:  
 BOOTP Broadcast: Disabled  
 Self Assigned Address State: Enabled  
 Self Assigned Address:

**TCP/IPV6:**

Link Local Address:  
 Use Router Supplied Prefix: Enabled  
 Stateless Global Address 1: ::  
 Stateless Global Address 2: ::  
 Manual Address:  
 DHCP Addressing: Use DHCP as directed by a router  
 DHCP Address:  
 Default Gateway:  
 DUID (DHCP Unique Identifier):

**DNS Settings:**

Requested Host Name: XRX9C934EA26EB8  
 Verified Host Name:  
 Requested Domain Name:  
 Verified Domain Name:  
 Multicast DNS: Enabled  
 Release DHCP Leases and DNS Registrati... Disabled  
 Primary DNS Server: ::  
 Prefer IPv6 DNS over IPv4: Enabled

**Bonjour:**

Bonjour Printer Name: Xerox AltaLink B8255 MFP (A2:6E:B8)

**HTTP:**

Force Traffic over Secure Connection (H...: Enabled  
 IPP: Yes  
 Enabled

**SNMP**

SNMP v1/v2: Enabled

SNMP v3: Disabled

**LPR/LPD:**

Enabled

**Raw IP Printing:**

Enabled

**LDAP**

LDAP Server 1 Primary LDAP Address: 0.0.0.0:389

LDAP Server 1 Search Directory Root:

LDAP Server 1 Secure Connection (LDA...: Disabled

LDAP Server 1 Validate Server Certificate...: Disabled

**SMTP**

SMTP Server: 0.0.0.0:25

Connect Encryption (TLS): No Encryption

Validate Server Certificate (TLS):

SMTP Authentication Type: Basic Auth with SMTP

**Protocols (cont.)**

<b>POP3</b>	
POP3 Server:	0.0.0.0:110
POP3 Secure Connection (TLS):	Disabled
POP3 Validate Server Certificate:	
E-mail Address:	
<b>NTP:</b>	Disabled
<b>FTP Client:</b>	Enabled
FTP Client Mode:	Passive
<b>Web Services on Device:</b>	Enabled

**Apps****Printing**

Banner Sheet:	Disabled
Error Sheets:	Enabled
Paper Substitution:	Enabled
Tray Priority:	1,2,3,4,5
PostScript	Installed
Level:	3
Version:	3021.101
<b>PCL</b>	
Version:	6
Font Name:	Courier
Custom Color Tables	Enabled
Label:	Not Installed
<b>Fax:</b>	Not Present

Fax Line1:	
Fax Line2:	
<b>Server Fax:</b>	Enabled
Repository Protocol:	SMB
Repository Server:	10.61.23.93:445
Repository Document Path:	/

**Workflow Scanning:**

Enabled

**Email:**

Enabled

**Scan to Mailbox:**

Enabled

Storage Capacity (MB):	46924 MB
Storage Used (MB):	2459 MB
Cleanup of Public Folders:	Enabled
Cleanup of Created Folders:	Enabled
Cleanup Time:	Daily

**Scan to Home:**

Disabled

**Scan To:**

Enabled

Cloud Services:	Disabled
-----------------	----------

**Print From:**

Enabled

Saved Jobs for Reprint:	Enabled
Print From USB:	Enabled
Print From MailBox:	Disabled
Cloud Services:	Disabled

**Accounting**

Accounting Mode:	None
Network Accounting:	Disabled

**Security****Authentication Configuration**

<b>Machine UI Authentication:</b>	Locally on the Device
Home:	Unlocked
Jobs:	Unlocked
Device:	Unlocked
<b>Device Website Authentication:</b>	Locally on the Device
Authorization:	Locally on the Device
Retrieve E-mail from LDAP:	Enabled

**Authentication Server:**

Kerberos

**Xerox Secure Access:**

Disabled

**Audit Log:**

Enabled

**IP Sec:**

Disabled

**IP Filtering:**

Disabled

**Security Certificates**

Machine Certificate:	Signed
Root Certificates Installed:	56

**802.1x:**

Disabled

**Job Data Removal:**

Scheduled:	Disabled
------------	----------

**FIPS 140-3:**

Disabled

**TLS:**

TLS 1.2 and TLS 1.3

TLS Hash:	SHA-1, SHA-256 and above
-----------	--------------------------

**Trellix Embedded Control:**

Enhanced Security

**Common User Data**

Machine Name: Xerox AltaLink B8255 MFP (A2:6E:B8)  
 IP Address: 10.61.16.41  
 Machine Serial Number: ZQV624005  
 Fax Line1:  
 Machine URL: https://10.61.16.41  
 Machine Activation Date: Feb 28, 2025 12:23:30  
 Total Impressions: 4348

**Machine Profile**

Xerox Asset Tag:  
 Customer Asset Tag:  
 Service Phone Number:  
 Customer Support Number:  
 Supplies Phone Number:  
 System Administrator:  
 Machine Location:  
**Managed By**  
 Primary MB Server: 10.15.46.133:80

**Machine Hardware**

Fax Card: Not Present  
 Fax Memory Size: 0 MB  
 Foreign Interface Card: not present  
 Device RAM Size: 4096 MB  
 Device Storage Size: used: 3277MB/total: 256060MB (SSD)  
 EPC Memory Size: 900 MB  
 Finisher Type: Offsetting Catch Tray  
 Finisher Punch: None  
 Finisher Folder: not present  
 Multi-feed Detection Kit: Not Installed

**General Setup**

Remote Services: Enabled  
 Remote Software Download: Enabled  
 Remote Services Trans. Time: 15:45  
 Xerox Workplace Cloud: Enabled  
 E-mail Alerts: Disabled  
 Service Plan: Plan Activated  
 Billing Impression Mode: A3 Impressions  
 Geographic Region: unknown  
 Startup Config Report: Enabled  
 GMT Offset: +05:30  
 Cloning Installation: Allowed (Encrypted Files Only)  
 Allow Print Submission of Clone Files: Enabled  
 File Sharing: Enabled  
 JBIG2: Lossless  
**Energy Saver**  
 Deep Sleep: Disabled  
 Energy Saver Mode: Job Activated  
 Sleep Mode Timer: 0 minutes  
 Auto-Off: Disabled  
**Smart Proximity Sensor**  
 Wake on Arrival: Enabled  
 Sleep on Departure: Disabled  
 Maximize Detection Range: Disabled

**Software Versions**

Device Software: 122.041.005.08500  
 Patch Version: None  
 Network Controller: 122.041.08500  
 UI Panel Firmware: 003.005.00000  
 User Interface: 122.041.08500  
 Marking Engine: 072.001.0000  
 Copy Controller: 122.041.08500  
 Document Feeder: 023.026.0000  
 Finisher: 000.000.0000  
 Fax: 000.000.0000  
 OS: 122.005.08410  
 Scanner: 017.024.014  
 Software Upgrade: 122.041.08500  
 Tray 2:  
 Tray 3:  
 Tray 4:  
**Machine Upgrades:**  
 Last Successful Upgrade: Allowed  
 March 28, 2025 17:42:58  
 Scheduled Auto Upgrades: Disabled  
 Auto Upgrade Start Time: Daily  
 Auto Upgrade Server: 0.0.0.0:21

**Media Trays**

Tray 1: Plain, White and Letter (8.5 x 11")  
 Tray 2: Plain, White and A4 (210 x 297 mm)  
 Tray 3: Plain, White and Letter (8.5 x 11")  
 Tray 4: Plain, White and Letter (8.5 x 11")  
 Bypass Tray: Plain, White and x=1200mm, y=310mm

**Connectivity**

**Mobile Workflows**

AirPrint Printing: Enabled  
 Mopria Printing: Enabled  
 AirPrint / Mopria Scanning: Enabled  
 Authentication Required: Disabled  
 Universal Print: Disabled  
 Universal Print Registration Status: Not Registered

**Physical Connections**

**USB Settings**  
 USB Type A Ports: Custom  
 USB Type B Port: Enabled  
 Connection Timeout: 60 seconds  
**Wired:**  
 Ethernet MAC Address: Enabled  
 Ethernet Speed/Duplex Setting: 9c:93:4e:a2:6e:b8  
 auto  
**Wireless:**  
 Disabled

**Wireless:**  
 Wireless MAC Address:  
 Network Name (SSID):  
 BSSID:

Security Mode:  
 Encryption Algorithm:  
 Status:

**Wi-Fi Direct:** Enabled  
 Not Installed

Wireless Hardware:  
 Wi-Fi Protected Setup™ (WPS) Name:  
 Connection Method:  
 Subnet Prefix Address:  
 Access Point (SSID):  
 Show Password on Device Touch Screen:

**NFC:** Enabled  
 Enabled  
 Not Installed  
 iBeacon (Bluetooth®) for AirPrint Di...  
 iBeacon Hardware:  
 Bluetooth Device Address:  
 iBeacon IP Address:

**Protocols**

**TCP/IPv4:**

Enabled  
 IP Address: 10.61.16.41  
 Subnet Mask: 255.255.255.0  
 Router/Gateway: 10.61.16.1  
 Automatic Addressing: STATIC  
 DHCP Server: 0.0.0.0  
 DHCP Lease Expiration:  
 BOOTP Broadcast: Disabled  
 Self Assigned Address State: Enabled  
 Self Assigned Address:

**TCP/IPv6:**

Disabled  
 Link Local Address:  
 Use Router Supplied Prefix: Enabled  
 Stateless Global Address 1: ::  
 Stateless Global Address 2: ::  
 Manual Address:  
 DHCP Addressing: Use DHCP as directed by a router  
 DHCP Address:  
 Default Gateway:  
 DUID (DHCP Unique Identifier):

**DNS Settings:**

Requested Host Name: XRX9C934EA26E88  
 Verified Host Name:  
 Requested Domain Name:  
 Verified Domain Name:  
 Multicast DNS: Enabled  
 Release DHCP Leases and DNS Registrati...: Disabled  
 Primary DNS Server: ::  
 Alternate DNS Server 1: ::  
 Alternate DNS Server 2: ::  
 DNS Connection Timeout: \$  
 Append Device Domain: Enabled  
 Append Parent Domains: Disabled  
 DNS Domain Search List:  
 Prefer IPv6 DNS over IPv4: Enabled

**Installed Options**

PS: Installed

**Protocols (cont.)**

**Bonjour:**  
 Bonjour Printer Name: Xerox AltaLink B8255 MFP (A2:6E:B8)  
**HTTP:**  
 Port Number: Enabled  
 Force Traffic over Secure Connection (H... 80  
 Secure HTTP Port Number: Yes  
 Proxy Server: 443  
 Proxy Server Address: Manual  
 IPP: 10.177.8.91:8080  
 Secure IPP Mode: Enabled  
 IPP Network Path: IPP and Secure IPPS  
 http://10.61.16.41:631

**SNMP**  
 SNMP v1/v2: Enabled  
 SNMP v3: Disabled

**LPR/LPD:**  
 Port Number: Enabled  
 PDL Switching: 515  
 PDL Banner Override: Disabled

**Raw IP Printing:**  
 Port Number 1: Enabled  
 Bidirectional: 9100  
 End of Job Timeout: Disabled  
 PDL Switching: 300

**LDAP**  
 LDAP Server 1 Friendly Name:  
 LDAP Server 1 Primary LDAP Address: 0.0.0.0:389  
 LDAP Server 1 Alternate LDAP Address: 0.0.0.0:389  
 LDAP Server 1 Search Directory Root:  
 LDAP Server 1 Secure Connection (LDA... Disabled  
 LDAP Server 1 Validate Server Certificate... Disabled

**SMTP**  
 SMTP Server: 0.0.0.0:25  
 Connect Encryption (TLS): No Encryption  
 Validate Server Certificate (TLS): 10240  
 Max Message Size (KB): 1  
 Number of Fragments: 300000  
 Total Job Size (KB): Page Boundary  
 Job Splitting Boundary: None  
 Credentials for Auto E-mails: None  
 Credentials for Walkup User: None  
 SMTP Authentication Type: Basic Auth with SMTP

**POP3**  
 POP3 Server: 0.0.0.0:110  
 POP3 Secure Connection (TLS): Disabled  
 E-mail Address:  
 POP3 Validate Server Certificate:  
 Receipt of E-mail via POP3: Disabled  
 Send Confirm on Request: Enabled  
 Incoming E-mail cover sheet: Enabled

**NTP:**  
 Primary Server: 0.0.0.0:123  
 Alternate Server: 0.0.0.0:123

**SLP:**  
 Disabled

**FTP Client:**  
 FTP Client Mode: Enabled  
 Passive

**Web Services on Device:**  
 WS-Discovery: Enabled  
 WS-Discovery Multicast: Enabled  
 WS-Print: Enabled  
 WS-Scan: Enabled

**Web Services**  
 Copy Submission: Enabled  
 Digital Certificate Management and Securi... Enabled  
 Extensible Service Registration: Enabled  
 Job Limits: Enabled  
 Job Management Extension: Enabled  
 Device Configuration: Enabled  
 Scan Submission: Enabled  
 Scan Workflow Management: Enabled  
 Session Data: Enabled  
 User Interface Configuration: Enabled  
 EIP Proxy Configuration: Enabled  
 Xerox Secure Access: Disabled  
 EIP SNMP Configuration: Enabled  
 Print Submission: Enabled  
 Scan Template Mgmt: Enabled  
 Mass Storage Access: Enabled  
 Card Reader Access: Enabled  
 Authentication & Accounting Configur... Enabled  
 Export Audit Log: Enabled  
 Trellix Embedded Control: Enabled

**Apps**

**Printing**

Banner Sheet: Disabled  
 Sys/Start Job: Disabled  
 Delete Held Jobs After: 3 Day(s) 0 Hour(s) 0 Minute(s)  
 Error Sheets: Enabled  
 Paper Substitution: Enabled  
 Tray Priority: 1,2,3,4,5  
 Default Copies: 1  
 Default Job Type: Normal Print  
 Default Paper Size: x=210mm, y=297mm  
 Default Paper Color: White  
 Default 2 Sided Printing: 2 Sided  
 Default Output Tray: Main Tray  
 Default Output Color: Black & White  
 Default Collated Sets: Enabled  
 Default Stapling: Not Available  
 Offsetting Between Jobs: Offset Between Jobs  
 PostScript Level: Installed  
 Version: 3  
 Image Quality: 3021.101  
 Standard

**PCL**  
 Version: 6  
 Pitch Size: 10.00  
 Point Size: 12.00  
 Font Name: Courier  
 Lines Per Page: 64  
 Custom Color Tables: Enabled  
 Label: Not Installed

**Fax:**

Fax Line1:  
 Fax Line2:  
**Server Fax:** Enabled  
 Confirmation Sheet: Errors Only  
 Delay Start: Disabled  
 Repository Protocol: SMB  
 Repository Server: 10.61.23.93:445  
 Repository Document Path: /

**Workflow Scanning:**

Confirmation Sheet: Enabled  
 Errors Only  
 SMB  
 0.0.0.0:0  
 Default Repository Protocol:  
 Default Repository Server:  
 Default Repository Document Path:  
 Default Repository Login Credentials: Device  
 Alt1 Repository Protocol: SMB  
 Alt1 Repository Server: 0.0.0.0:0  
 Alt1 Repository Document Path:  
 Alt1 Repository Login Credentials: Device  
 Workflow Pool Protocol: SMB  
 Workflow Pool Server: 0.0.0.0:0  
 Workflow Pool Path:

**Email:**

Default From Address:  
 Confirmation Sheet: Errors Only  
 Auto Send to Self: Disabled  
 E-mail Security: Disabled

**Scan to Mailbox:**

View Mailboxes by Default: Enabled  
 Storage Capacity (MB): 46924 MB  
 Storage Used (MB): 2459 MB  
 Cleanup of Public Folders: Enabled  
 Cleanup of Created Folders: Enabled  
 Cleanup Time: Daily  
 Disabled

**Scan to Home:**

Friendly Name:  
 Workflow Name:  
 Auto Create Subdir: Disabled  
 Append User Name to Path: Disabled  
 Auto Create User Name Dir: Disabled

**Scan To:**

Cloud Services: Enabled  
 Disabled  
**Print From:** Enabled  
 Saved Jobs for Reprint: Enabled  
 Print From USB: Enabled  
 Print From MailBox: Disabled  
 Cloud Services: Disabled

**Accounting**

Accounting Mode: None  
 Network Accounting: Disabled

**Security****Authentication Configuration**

Machine UI Authentication: Locally on the Device  
 Home: Unlocked  
 Jobs: Unlocked  
 Device: Unlocked  
 Device Website Authentication: Locally on the Device  
 Authorization: Locally on the Device  
 Retrieve E-mail from LDAP: Enabled

**Authentication Server:**

Kerberos: Kerberos  
 Kerberos Primary Realm:  
 Kerberos Primary Address: 0.0.0.0:88  
 Kerberos Alt 1 Realm:  
 Kerberos Alt 1 Address: 0.0.0.0:88  
 SMB NT Domain:  
 SMB Alt 1 NT Domain:  
 Smartcard Ctrl Server: 0.0.0.0:443  
 Smartcard Ctrl Domain:  
 SmartCard OCSP URL:  
 Card Reader Upgrade Policy: Enabled  
 Card Reader Firmware Version:

**Xerox Secure Access:**

Secure Access Server: Disabled  
 Secure Access Path: 0.0.0.0:443

**Audit Log:**

Audit Log: Enabled

**IP Sec:**

IP Sec: Disabled

**IP Filtering:**

IP Filtering: Disabled

**Security Certificates**

Machine Certificate: Signed

Root Certificates Installed: 56

**802.1x:**

802.1x: Disabled

**Job Data Removal:**

Scheduled: Disabled

Scheduled Frequency:

FIPS 140-3: Disabled

TLS: TLS 1.2 and TLS 1.3

TLS Hash: SHA-1, SHA-256 and above

Trellix Embedded Control: Enhanced Security

**Extensible Service Setup**

Third Generation Browser: X3G\_3.24.23\_2.40.5\_011\_0100.00

Widget Version: v1.3.17 c8 20140613

Widget Version: v2.5.04 g9 20240123



**Common User Data**

Machine Name: Xerox AltaLink B8255 MFP (A2:6E:88)  
 IP Address: 10.61.16.41  
 Machine Serial Number: ZQV624005  
 Fax Line 1:  
 Machine URL: https://10.61.16.41  
 Machine Activation Date: Feb 28, 2025 12:23:30  
 Total Impressions: 4353

**Machine Profile**

Xerox Asset Tag:  
 Customer Asset Tag:  
 Service Phone Number:  
 Customer Support Number:  
 Supplies Phone Number:  
 System Administrator: Not set  
 Machine Location: machine location not set  
**Managed By**  
 Primary MB Server: 10.15.46.133:80

**Machine Hardware**

Fax Card: Not Present  
 Fax Memory Size: 0 MB  
 Foreign Interface Card: not present  
 Device RAM Size: 4096 MB  
 Device Storage Size: used>3269MB/total>256060MB (SSD)  
 EPC Memory Size: 900 MB  
 Finisher Type: Offsetting Catch Tray  
 Finisher Punch: None  
 Finisher Folder: not present  
 Multi-feed Detection Kit: Not Installed

**General Setup**

Remote Services: Enabled  
 Remote Software Download: Enabled  
 Remote Services Trans. Time: 15:45  
 Xerox Workplace Cloud: Enabled  
 E-mail Alerts: Disabled  
 Service Plan: Plan Activated  
 Billing Impression Mode: A3 Impressions  
 Geographic Region: unknown  
 GMT Offset: +05:30  
 Cloning Installation: Allowed (Encrypted Files Only)  
 File Sharing: Enabled  
 JBIG2: Lossless

**Energy Saver**

Deep Sleep: Disabled  
 Energy Saver Mode: Job Activated

**Smart Proximity Sensor**

Wake on Arrival: Enabled  
 Sleep on Departure: Disabled

**Software Versions**

Device Software: 122.041.005.08500  
 Patch Version: None  
 Network Controller: 122.041.08500  
 UI Panel Firmware: 003.005.00000  
 Marking Engine: 072.001.000  
 Document Feeder: 023.026.000  
 Finisher: 000.000.000  
 Fax: 000.000.000  
 Scanner: 017.024.014  
**Machine Upgrades:**  
 Last Successful Upgrade: March 28, 2025 17:42:58

**Media Trays**

Tray 1: Plain, White and Letter (8.5 x 11")  
 Tray 2: Plain, White and A4 (210 x 297 mm)  
 Tray 3: Plain, White and Letter (8.5 x 11")  
 Tray 4: Plain, White and Letter (8.5 x 11")  
 Bypass Tray: Plain, White and x=1200mm, y=310mm

**Installed Options**

PS: Installed

**Connectivity**

**Mobile Workflows**

AirPrint Printing: Enabled  
 Mopria Printing: Enabled  
 AirPrint / Mopria Scanning: Enabled  
 Authentication Required: Disabled

**Physical Connections**

**USB Settings**

USB Type A Ports: All Disabled  
 USB Type B Port: Disabled

**Wired:**

Ethernet MAC Address: 9c:93:4e:a2:6e:b8  
 Ethernet Speed/Duplex Setting: auto  
 Disabled

**Wireless:**

Wireless MAC Address:  
 Network Name (SSID):

**BSSID:**

Security Mode:  
 Encryption Algorithm:  
 Status:

**Wi-Fi Direct:**

Wireless Hardware: Not Installed

**Wi-Fi Protected Setup™ (WPS) Name:**

Access Point (SSID):  
 Show Password on Device Touch Screen:

**NFC:**

iBeacon (Bluetooth®) for AirPrint Di...: Enabled  
 iBeacon Hardware: Enabled  
 Bluetooth Device Address: Not Installed  
 iBeacon IP Address:

**Protocols**

**TCP/IPv4:**

Enabled  
 IP Address: 10.61.16.41  
 Subnet Mask: 255.255.255.0  
 Router/Gateway: 10.61.16.1  
 Automatic Addressing: STATIC  
 DHCP Server: 0.0.0.0  
 DHCP Lease Expiration:  
 BOOTP Broadcast: Disabled  
 Self Assigned Address State: Enabled  
 Self Assigned Address:

**TCP/IPv6:**

Link Local Address:  
 Use Router Supplied Prefix: Enabled  
 Stateless Global Address 1: ::  
 Stateless Global Address 2: ::  
 Manual Address:  
 DHCP Addressing: Use DHCP as directed by a router  
 DHCP Address:  
 Default Gateway:  
 DUID (DHCP Unique Identifier):

**DNS Settings:**

Requested Host Name: XRX9C934EA26EB8  
 Verified Host Name:  
 Requested Domain Name:  
 Verified Domain Name:  
 Multicast DNS: Enabled  
 Release DHCP Leases and DNS Registrati...: Disabled  
 Primary DNS Server: ::  
 Prefer IPv6 DNS over IPv4: Enabled

**Bonjour:**

Bonjour Printer Name: Xerox AltaLink B8255 MFP (A2:6E:88)

**HTTP:**

Force Traffic over Secure Connection (H...): Enabled  
 IPP: Yes  
 Enabled

**SNMP**

SNMP v1/v2: Enabled  
 SNMP v3: Disabled

**LPR/LPD:**

Enabled

**Raw IP Printing:**

Enabled

**LDAP**

LDAP Server 1 Primary LDAP Address: 0.0.0.0:389  
 LDAP Server 1 Search Directory Root:  
 LDAP Server 1 Secure Connection (LDA...): Disabled  
 LDAP Server 1 Validate Server Certificate...: Disabled

**SMTP**

SMTP Server: 0.0.0.0:25  
 Connect Encryption (TLS): No Encryption  
 Validate Server Certificate (TLS):  
 SMTP Authentication Type: Basic Auth with SMTP

**Protocols (cont.)**

<b>POP3</b>	
POP3 Server:	0.0.0.0:110
POP3 Secure Connection (TLS):	Disabled
POP3 Validate Server Certificate:	
E-mail Address:	
<b>NTP:</b>	Disabled
<b>FTP Client:</b>	Enabled
FTP Client Mode:	Passive
<b>Web Services on Device:</b>	Enabled

**Apps****Printing**

<b>Banner Sheet:</b>	Disabled
<b>Error Sheets:</b>	Enabled
<b>Paper Substitution:</b>	Enabled
<b>Tray Priority:</b>	1,2,3,4,5
<b>PostScript</b>	Installed
Level:	3
Version:	3021.101
<b>PCL</b>	
Version:	6
Font Name:	Courier
<b>Custom Color Tables</b>	Enabled
Label:	Not Installed
<b>Fax:</b>	Not Present

**Fax:**

Fax Line1:	
Fax Line2:	

**Server Fax:**

Repository Protocol:	SMB
Repository Server:	10.61.23.93:445
Repository Document Path:	/

**Workflow Scanning:**

	Enabled
--	---------

**Email:**

	Enabled
--	---------

**Scan to Mailbox:**

Storage Capacity (MB):	46924 MB
Storage Used (MB):	2459 MB
Cleanup of Public Folders:	Enabled
Cleanup of Created Folders:	Enabled
Cleanup Time:	Daily

**Scan to Home:**

	Disabled
--	----------

**Scan To:**

	Enabled
--	---------

**Cloud Services:**

	Disabled
--	----------

**Print From:**

Saved Jobs for Reprint:	Enabled/Displayed
-------------------------	-------------------

Print From USB:	Disabled
-----------------	----------

Print From MailBox:	Disabled
---------------------	----------

Cloud Services:	Disabled
-----------------	----------

**Accounting**

Accounting Mode:	None
Network Accounting:	Disabled

**Security****Authentication Configuration**

<b>Machine UI Authentication:</b>	Locally on the Device
Home:	Unlocked
Jobs:	Unlocked
Device:	Unlocked
<b>Device Website Authentication:</b>	Locally on the Device
Authorization:	Locally on the Device

Retrieve E-mail from LDAP:	Enabled
----------------------------	---------

**Authentication Server:**

	Kerberos
--	----------

**Xerox Secure Access:**

	Disabled
--	----------

**Audit Log:**

	Enabled
--	---------

**IP Sec:**

	Disabled
--	----------

**IP Filtering:**

	Disabled
--	----------

**Security Certificates**

Machine Certificate:	Signed
----------------------	--------

Root Certificates Installed:	56
------------------------------	----

**802.1x:**

	Disabled
--	----------

**Job Data Removal:**

Scheduled:	Disabled
------------	----------

**FIPS 140-3:**

	Disabled
--	----------

TLS:	TLS 1.2 and TLS 1.3
------	---------------------

TLS Hash:	SHA-1, SHA-256 and above
-----------	--------------------------

**Trellix Embedded Control:**

	Enhanced Security
--	-------------------

**Common User Data**

Machine Name: Xerox AltaLink B8255 MFP (A2:6E:B8)  
 IP Address: 10.61.16.41  
 Machine Serial Number: ZQV624005  
 Fax Line1:  
 Machine URL: https://10.61.16.41  
 Machine Activation Date: Feb 28, 2025 12:23:30  
 Total Impressions: 4355

**Machine Profile**

Xerox Asset Tag:  
 Customer Asset Tag:  
 Service Phone Number:  
 Customer Support Number:  
 Supplies Phone Number:  
 System Administrator:  
 Machine Location:  
 Managed By  
 Primary MB Server: 10.15.46.133:80

**Machine Hardware**

Fax Card: Not Present  
 Fax Memory Size: 0 MB  
 Foreign Interface Card: not present  
 Device RAM Size: 4096 MB  
 Device Storage Size: used+3270MB/total+256060MB (SSD)  
 EPC Memory Size: 900 MB  
 Finisher Type: Offsetting Catch Tray  
 Finisher Punch: None  
 Finisher Folder: not present  
 Multi-feed Detection Kit: Not Installed

**General Setup**

Remote Services: Enabled  
 Remote Software Download: Enabled  
 Remote Services Trans. Time: 15:45  
 Xerox Workplace Cloud: Enabled  
 E-mail Alerts: Disabled  
 Service Plan: Plan Activated  
 Billing Impression Mode: A3 Impressions  
 Geographic Region: unknown  
 GMT Offset: +05:30  
 Cloning Installation: Allowed (Encrypted Files Only)  
 File Sharing: Enabled  
 JBIG2: Lossless

**Energy Saver**

Deep Sleep: Disabled  
 Energy Saver Mode: Job Activated

**Smart Proximity Sensor**

Wake on Arrival: Enabled  
 Sleep on Departure: Disabled

**Software Versions**

Device Software: 122.041.005.08500  
 Patch Version: None  
 Network Controller: 122.041.08500  
 UI Panel Firmware: 003.005.00000  
 Marking Engine: 072.001.000  
 Document Feeder: 023.026.000  
 Finisher: 000.000.000  
 Fax: 000.000.000  
 Scanner: 017.024.014  
 Machine Upgrades:  
 Last Successful Upgrade: March 28, 2025 17:42:58

**Media Trays**

Tray 1: Plain, White and Letter (8.5 x 11")  
 Tray 2: Plain, White and A4 (210 x 297 mm)  
 Tray 3: Plain, White and Letter (8.5 x 11")  
 Tray 4: Plain, White and Letter (8.5 x 11")  
 Bypass Tray: Plain, White and x=1200mm, y=310mm

**Installed Options**

PS: Installed

**Connectivity**

**Mobile Workflows**

AirPrint Printing: Enabled  
 Mopria Printing: Enabled  
 AirPrint / Mopria Scanning: Enabled  
 Authentication Required: Disabled

**Physical Connections**

**USB Settings**  
 USB Type A Ports: All Disabled  
 USB Type B Port: Disabled  
**Wired:**  
 Ethernet MAC Address: 9c:93:4e:a2:6e:b8  
 Ethernet Speed/Duplex Setting: auto  
**Wireless:**  
 Wireless MAC Address:  
 Network Name (SSID):  
 BSSID:  
 Security Mode:  
 Encryption Algorithm:  
 Status: Disabled

**Wi-Fi Direct:** Enabled  
 Wireless Hardware: Not Installed  
 Wi-Fi Protected Setup™ (WPS) Name:  
 Access Point (SSID):  
 Show Password on Device Touch Screen:  
**NFC:** Enabled  
 iBeacon (Bluetooth®) for AirPrint Di...: Enabled  
 iBeacon Hardware: Not Installed  
 Bluetooth Device Address:  
 iBeacon IP Address:

**Protocols**

**TCP/IPV4:**

Enabled  
 IP Address: 10.61.16.41  
 Subnet Mask: 255.255.255.0  
 Router/Gateway: 10.61.16.1  
 Automatic Addressing: STATIC  
 DHCP Server: 0.0.0.0  
 DHCP Lease Expiration:  
 BOOTP Broadcast: Disabled  
 Self Assigned Address State: Enabled  
 Self Assigned Address:

**TCP/IPV6:**

Disabled  
 Link Local Address:  
 Use Router Supplied Prefix: Enabled  
 Stateless Global Address 1: ::  
 Stateless Global Address 2: ::  
 Manual Address:  
 DHCP Addressing: Use DHCP as directed by a router  
 DHCP Address:  
 Default Gateway:  
 DUID (DHCP Unique Identifier):

**DNS Settings:**

Requested Host Name: XRX9C934EA26EB8  
 Verified Host Name:  
 Requested Domain Name:  
 Verified Domain Name:  
 Multicast DNS: Enabled  
 Release DHCP Leases and DNS Registrati...: Disabled  
 Primary DNS Server: ::  
 Prefer IPv6 DNS over IPv4: Enabled

**Bonjour:**

Bonjour Printer Name: Xerox AltaLink B8255 MFP (A2:6E:B8)  
**HTTP:** Enabled  
 Force Traffic over Secure Connection (H...: Yes  
 IPP: Enabled

**SNMP**

SNMP v1/v2: Enabled  
 SNMP v3: Disabled

**LPR/LPD:**

Enabled

**Raw IP Printing:**

Enabled  
**LDAP**  
 LDAP Server 1 Primary LDAP Address: 0.0.0.0:389  
 LDAP Server 1 Search Directory Root:  
 LDAP Server 1 Secure Connection (LDA...: Disabled  
 LDAP Server 1 Validate Server Certificate...: Disabled

**SMTP**

SMTP Server: 0.0.0.0:25  
 Connect Encryption (TLS): No Encryption  
 Validate Server Certificate (TLS):  
 SMTP Authentication Type: Basic Auth with SMTP

**Protocols (cont.)**

POP3	
POP3 Server:	0.0.0.0:110
POP3 Secure Connection (TLS):	Disabled
POP3 Validate Server Certificate:	
E-mail Address:	
NTP:	Disabled
FTP Client:	Enabled
FTP Client Mode:	Passive
Web Services on Device:	Enabled

**Apps****Printing**

Banner Sheet:	Disabled
Error Sheets:	Enabled
Paper Substitution:	Enabled
Tray Priority:	1,2,3,4,5
PostScript	Installed
Level:	3
Version:	3021.101
PCL	
Version:	6
Font Name:	Courier
Custom Color Tables	Enabled
Label:	Not Installed
Fax:	Not Present

Fax Line1:	
Fax Line2:	
Server Fax:	Enabled
Repository Protocol:	SMB
Repository Server:	10.61.23.93:445
Repository Document Path:	/

**Workflow Scanning:**

Email:	Enabled
Scan to Mailbox:	Enabled
Storage Capacity (MB):	46924 MB
Storage Used (MB):	2459 MB
Cleanup of Public Folders:	Enabled
Cleanup of Created Folders:	Enabled
Cleanup Time:	Daily
Scan to Home:	Disabled

**Scan to Home:****Scan To:****Cloud Services:**

Print From:	Enabled
Saved Jobs for Reprint:	Enabled/Displayed
Print From USB:	Disabled
Print From MailBox:	Disabled
Cloud Services:	Disabled

**Accounting**

Accounting Mode:	None
Network Accounting:	Disabled

**Security****Authentication Configuration**

Machine UI Authentication:	Locally on the Device
Home:	Unlocked
Jobs:	Unlocked
Device:	Unlocked
Device Website Authentication:	Locally on the Device
Authorization:	Locally on the Device
Retrieve E-mail from LDAP:	Enabled

**Authentication Server:****Xerox Secure Access:****Audit Log:****IP Sec:****IP Filtering:****Security Certificates**

Machine Certificate:	Signed
Root Certificates Installed:	56

**802.1x:****Job Data Removal:**

Scheduled:	Disabled
------------	----------

**FIPS 140-3:**

TLS:	TLS 1.2 and TLS 1.3
TLS Hash:	SHA-1, SHA-256 and above

**Trellix Embedded Control:**

**Common User Data**

Machine Name: Xerox AltaLink B8255 MFP (A2:6E:B8)  
 IP Address: 10.61.16.41  
 Machine Serial Number: ZQV624005  
 Fax Line1:  
 Machine URL: https://10.61.16.41  
 Machine Activation Date: Feb 28, 2025 12:23:30  
 Total Impressions: 4355

**Machine Profile**

Xerox Asset Tag:  
 Customer Asset Tag:  
 Service Phone Number:  
 Customer Support Number:  
 Supplies Phone Number:  
 System Administrator:  
 Machine Location:  
 Managed By  
 Primary MB Server: 10.15.46.133:80

**Machine Hardware**

Fax Card: Not Present  
 Fax Memory Size: 0 MB  
 Foreign Interface Card: not present  
 Device RAM Size: 4096 MB  
 Device Storage Size: used- 3271MB/total+256060MB (SSD)  
 EPC Memory Size: 900 MB  
 Finisher Type: Offsetting Catch Tray  
 Finisher Punch: None  
 Finisher Folder: not present  
 Multi-feed Detection Kit: Not Installed

**General Setup**

Remote Services: Enabled  
 Remote Software Download: Enabled  
 Remote Services Trans. Time: 15:45  
 Xerox Workplace Cloud: Enabled  
 E-mail Alerts: Disabled  
 Service Plan: Plan Activated  
 Billing Impression Mode: A3 Impressions  
 Geographic Region: unknown  
 Startup Config Report: Enabled  
 GMT Offset: +05:30  
 Cloning Installation: Allowed (Encrypted Files Only)  
 Allow Print Submission of Clone Files: Enabled  
 File Sharing: Enabled  
 JBIG2: Lossless

**Energy Saver**

Deep Sleep: Disabled  
 Energy Saver Mode: Job Activated  
 Sleep Mode Timer: 0 minutes  
 Auto-Off: Disabled

**Smart Proximity Sensor**

Wake on Arrival: Enabled  
 Sleep on Departure: Disabled  
 Maximize Detection Range: Disabled

**Software Versions**

Device Software: 122.041.005.08500  
 Patch Version: None  
 Network Controller: 122.041.08500  
 UI Panel Firmware: 003.005.00000  
 User Interface: 122.041.08500  
 Marking Engine: 072.001.000  
 Copy Controller: 122.041.08500  
 Document Feeder: 023.026.000  
 Finisher: 000.000.000  
 Fax: 000.000.000  
 OS: 122.005.08410  
 Scanner: 017.024.014  
 Software Upgrade: 122.041.08500  
 Tray 2:  
 Tray 3:  
 Tray 4:

**Machine Upgrades:**

Allowed  
 Last Successful Upgrade: March 28, 2025 17:42:58  
 Scheduled Auto Upgrades: Disabled  
 Auto Upgrade Start Time: Daily  
 Auto Upgrade Server: 0.0.0.21

**Media Trays**

Tray 1: Plain, White and Letter (8.5 x 11")  
 Tray 2: Plain, White and A4 (210 x 297 mm)  
 Tray 3: Plain, White and Letter (8.5 x 11")  
 Tray 4: Plain, White and Letter (8.5 x 11")  
 Bypass Tray: Plain, White and x=1200mm, y=310mm

**Connectivity**

**Mobile Workflows**

AirPrint Printing: Enabled  
 Mopria Printing: Enabled  
 AirPrint / Mopria Scanning: Enabled  
 Authentication Required: Disabled  
 Universal Print: Disabled  
 Universal Print Registration Status: Not Registered

**Physical Connections**

USB Settings  
 USB Type A Ports: All Disabled  
 USB Type B Port: Disabled

**Wired:**

Ethernet MAC Address: 9c:93:4e:a2:6e:b8  
 Ethernet Speed/Duplex Setting: auto  
 Disabled

**Wireless:**

Wireless MAC Address:  
 Network Name (SSID):  
 BSSID:  
 Security Mode:  
 Encryption Algorithm:  
 Status:

**Wi-Fi Direct:**

Wireless Hardware: Enabled  
 Not Installed

**Wi-Fi Protected Setup™ (WPS) Name:**

Connection Method:  
 Subnet Prefix Address:  
 Access Point (SSID):  
 Show Password on Device Touch Screen:

**NFC:**

iBeacon (Bluetooth®) for AirPrint Di...: Enabled  
 iBeacon Hardware: Enabled  
 Not Installed  
 Bluetooth Device Address:  
 iBeacon IP Address:

**Protocols**

**TCP/IPV4:**

Enabled  
 IP Address: 10.61.16.41  
 Subnet Mask: 255.255.255.0  
 Router/Gateway: 10.61.16.1  
 Automatic Addressing: STATIC  
 DHCP Server: 0.0.0.0

**DHCP Server:**

DHCP Lease Expiration:  
 BOOTP Broadcast: Disabled  
 Self Assigned Address State: Enabled

**TCP/IPV6:**

Link Local Address: Disabled

Use Router Supplied Prefix: Enabled

Stateless Global Address 1: ::

Stateless Global Address 2: ::

Manual Address:

DHCP Addressing: Use DHCP as directed by a router

DHCP Address:

Default Gateway:

DUID (DHCP Unique Identifier):

**DNS Settings:**

Requested Host Name: XRX9C934EA26EB8

Verified Host Name:

Requested Domain Name:

Verified Domain Name:

Multicast DNS: Enabled

Release DHCP Leases and DNS Registrati...: Disabled

Primary DNS Server: ::

Alternate DNS Server 1: ::

Alternate DNS Server 2: ::

DNS Connection Timeout: 5

Append Device Domain: Enabled

Append Parent Domains: Disabled

DNS Domain Search List:

Prefer IPv6 DNS over IPv4: Enabled

**Installed Options**

PS: Installed

**Protocols (cont.)**

**Bonjour:**  
 Bonjour Printer Name: Xerox AltaLink B8255 MFP (A2:6E:B8)

**HTTP:**  
 Port Number: 80  
 Force Traffic over Secure Connection (H...): Yes  
 Secure HTTP Port Number: 443  
 Proxy Server: Manual  
 Proxy Server Address: 10.177.8.91:8080  
 IPP: Enabled  
 Secure IPP Mode: IPP and Secure IPPS  
 IPP Network Path: http://10.61.16.41:631

**SNMP:**  
 SNMP v1/v2: Enabled  
 SNMP v3: Disabled

**LPR/LPD:**  
 Port Number: 515  
 PDL Switching: Disabled  
 PDL Banner Override: Disabled

**Raw IP Printing:**  
 Port Number 1: 9100  
 Bidirectional: Disabled  
 End of Job Timeout: 300  
 PDL Switching: Disabled

**LDAP:**  
 LDAP Server 1 Friendly Name:  
 LDAP Server 1 Primary LDAP Address: 0.0.0.0:389  
 LDAP Server 1 Alternate LDAP Address: 0.0.0.0:389  
 LDAP Server 1 Search Directory Root:  
 LDAP Server 1 Secure Connection (LDA...): Disabled  
 LDAP Server 1 Validate Server Certificate...: Disabled

**SMTP:**  
 SMTP Server: 0.0.0.0:25  
 Connect Encryption (TLS): No Encryption  
 Validate Server Certificate (TLS):  
 Max Message Size (KB): 10240  
 Number of Fragments: 1  
 Total Job Size (KB): 300000  
 Job Splitting Boundary: Page Boundary  
 Credentials for Auto E-mails: None  
 Credentials for Walkup User: None  
 SMTP Authentication Type: Basic Auth with SMTP

**POP3:**  
 POP3 Server: 0.0.0.0:110  
 POP3 Secure Connection (TLS): Disabled  
 E-mail Address:  
 POP3 Validate Server Certificate:  
 Receipt of E-mail via POP3: Disabled  
 Send Confirm on Request: Enabled  
 Incoming E-mail cover sheet: Enabled

**NTP:**  
 Primary Server: 0.0.0.0:123  
 Alternate Server: 0.0.0.0:123

**SLP:**  
 Disabled

**FTP Client:**  
 FTP Client Mode: Passive

**Web Services on Device:**  
 WS-Discovery: Enabled  
 WS-Discovery Multicast: Enabled  
 WS-Print: Enabled  
 WS-Scan: Enabled

**Web Services:**  
 Copy Submission: Enabled  
 Digital Certificate Management and Securi...: Enabled  
 Extensible Service Registration: Enabled  
 Job Limits: Enabled  
 Job Management Extension: Enabled  
 Device Configuration: Enabled  
 Scan Submission: Enabled  
 Scan Workflow Management: Enabled  
 Session Data: Enabled  
 User Interface Configuration: Enabled  
 EIP Proxy Configuration: Enabled  
 Xerox Secure Access: Disabled  
 EIP SNMP Configuration: Enabled  
 Print Submission: Enabled  
 Scan Template Mgmt: Enabled  
 Mass Storage Access: Enabled  
 Card Reader Access: Enabled  
 Authentication & Accounting Configur...: Enabled  
 Export Audit Log: Enabled  
 Trellix Embedded Control: Enabled

**Apps**

**Printing**

Banner Sheet: Disabled  
 Sys/Start Job: Disabled  
 Delete Held Jobs After: 3 Day(s) 0 Hour(s) 0 Minute(s)  
 Error Sheets: Enabled  
 Paper Substitution: Enabled  
 Tray Priority: 1,2,3,4,5  
 Default Copies: 1  
 Default Job Type: Normal Print  
 Default Paper Size: x=210mm, y=297mm  
 Default Paper Color: White  
 Default 2 Sided Printing: 2 Sided  
 Default Output Tray: Main Tray  
 Default Output Color: Black & White  
 Default Collated Sets: Enabled  
 Default Stapling: Not Available  
 Offsetting Between Jobs: Offsetting Between Jobs  
 PostScript: Installed  
 Level: 3  
 Version: 3021.101  
 Image Quality: Standard

**PCL:**  
 Version: 6  
 Pitch Size: 10.00  
 Point Size: 12.00  
 Font Name: Courier  
 Lines Per Page: 64  
 Custom Color Tables: Enabled  
 Label: Not Installed

**Fax:**

Fax Line1:  
 Fax Line2:  
**Server Fax:** Enabled  
 Confirmation Sheet: Errors Only  
 Delay Start: Disabled  
 Repository Protocol: SMB  
 Repository Server: 10.61.23.93:445  
 Repository Document Path: /

**Workflow Scanning:**

Confirmation Sheet: Enabled  
 Errors Only  
 SMB  
 0.0.0.0:0  
 Default Repository Protocol:  
 Default Repository Server:  
 Default Repository Document Path:  
 Default Repository Login Credentials: Device  
 SMB  
 0.0.0.0:0  
 Alt1 Repository Protocol:  
 Alt1 Repository Server:  
 Alt1 Repository Document Path:  
 Alt1 Repository Login Credentials: Device  
 SMB  
 0.0.0.0:0  
 Workflow Pool Protocol:  
 Workflow Pool Server: 0.0.0.0:0  
 Workflow Pool Path:

**Email:**

Default From Address:  
 Confirmation Sheet: Errors Only  
 Auto Send to Self: Disabled  
 E-mail Security: Disabled

**Scan to Mailbox:**

View Mailboxes by Default: Enabled  
 Storage Capacity (MB): 46924 MB  
 Storage Used (MB): 2459 MB  
 Cleanup of Public Folders: Enabled  
 Cleanup of Created Folders: Enabled  
 Cleanup Time: Daily  
**Scan to Home:** Disabled

**Scan to Home:**

Friendly Name:  
 Workflow Name:  
 Auto Create Subdir: Disabled  
 Append User Name to Path: Disabled  
 Auto Create User Name Dir: Disabled

**Scan To:**

Cloud Services: Enabled  
 Disabled  
**Print From:** Enabled  
 Saved Jobs for Reprint: Enabled/Displayed  
 Print From USB: Disabled  
 Print From MailBox: Disabled  
 Cloud Services: Disabled

**Accounting**

Accounting Mode: None  
 Network Accounting: Disabled

**Security****Authentication Configuration**

Machine UI Authentication: Locally on the Device  
 Home: Unlocked  
 Jobs: Unlocked  
 Device: Unlocked  
 Device Website Authentication: Locally on the Device  
 Authorization: Locally on the Device  
 Retrieve E-mail from LDAP: Enabled

**Authentication Server:**

Kerberos Primary Address: Kerberos  
 Kerberos Primary Realm:  
 Kerberos Primary Address: 0.0.0.88  
 Kerberos Alt 1 Realm:  
 Kerberos Alt 1 Address: 0.0.0.88  
 SMB NT Domain:  
 SMB Alt 1 NT Domain:  
 Smartcard Ctrl Server: 0.0.0.443  
 Smartcard Ctrl Domain:  
 SmartCard OCSP URL:  
 Card Reader Upgrade Policy: Enabled  
 Card Reader Firmware Version:

**Xerox Secure Access:**

Secure Access Server: Disabled  
 Secure Access Path: 0.0.0.443

**Audit Log:**

Enabled

**IP Sec:**

Disabled

**IP Filtering:**

Disabled

**Security Certificates**

Machine Certificate: Signed  
 Root Certificates Installed: 56

**802.1x:**

Disabled

**Job Data Removal:**

Scheduled: Disabled  
 Scheduled Frequency:

**FIPS 140-3:**

Disabled

**TLS:**

TLS 1.2 and TLS 1.3

TLS Hash:

SHA-1, SHA-256 and above

**Trellix Embedded Control:**

Enhanced Security

**Extensible Service Setup**

Third Generation Browser: X3G\_3.24.23\_2.40.5\_011\_01.00.00  
 Widget Version: v1.3.17 c8 20140613  
 Widget Version: v2.5.04 g9 20240123

