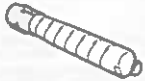


# Supplies Usage

Supplies ordering information is located at  
[www.xerox.com/office/supplies](http://www.xerox.com/office/supplies)

## Consumables

### 1 Toner Cartridges

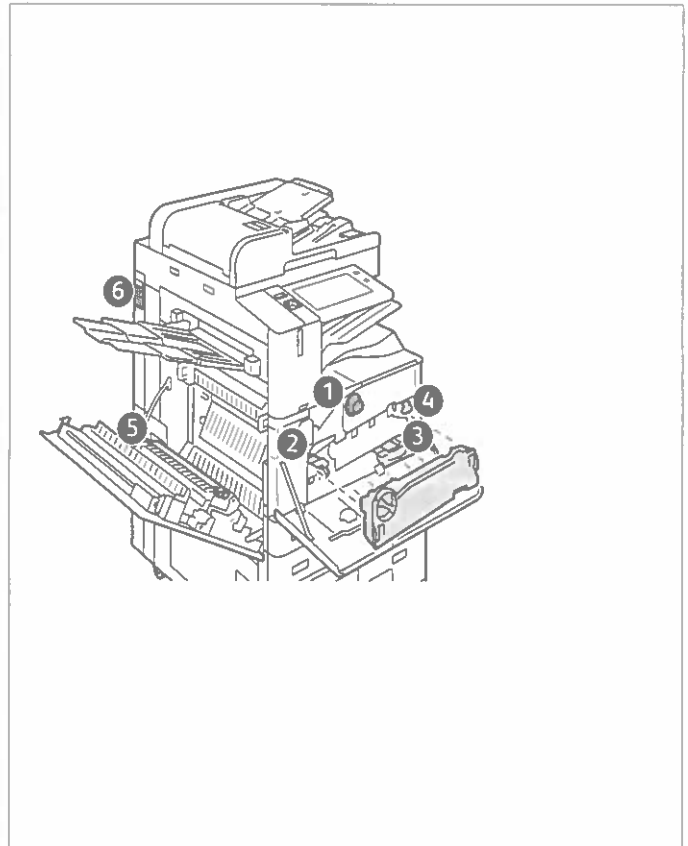


**Black**

Date Installed: May 16, 2024  
Reorder: 006R01770  
Estimated Pages Remaining: 19000  
(Based upon this toner cartridge's average coverage: 2%)

Life Remaining

|      |
|------|
| 100% |
| 50%  |
| 0%   |



## Routine Maintenance Items

### 2 Drum Cartridge



**Black (R1)**

Date Installed: Nov 9, 2024  
Reorder: 013R00686  
Estimated Pages Remaining: 169500  
(Based on average printer job size: 1 Pages)

Life Remaining

|      |
|------|
| 100% |
| 50%  |
| 0%   |

### 3 Waste Container



Date Installed: Jun 10, 2025  
Reorder: 008R08101

OK

### 4 Transfer Belt Cleaner



Date Installed: Jun 10, 2025  
Reorder: 001R00623  
Estimated Pages Remaining: 159000

Life Remaining

|      |
|------|
| 100% |
| 50%  |
| 0%   |

### 5 Second Bias Transfer Roller



Date Installed: Jun 10, 2025  
Reorder: 008R08103  
Estimated Pages Remaining: 359000

Life Remaining

|      |
|------|
| 100% |
| 50%  |
| 0%   |